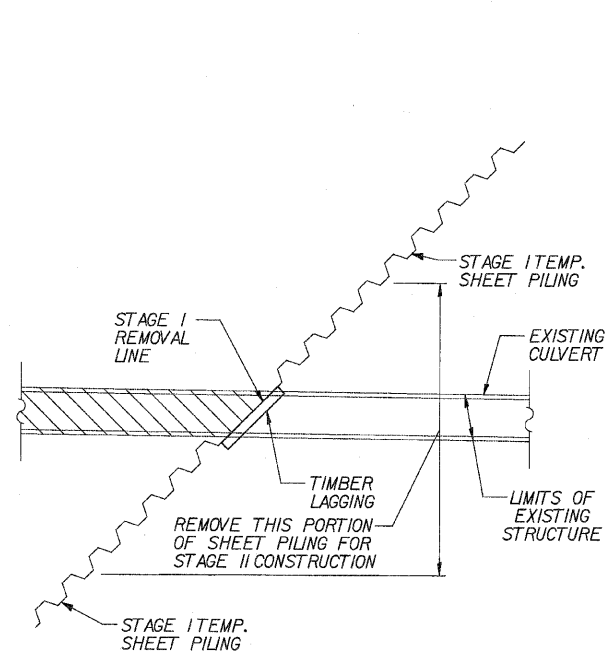
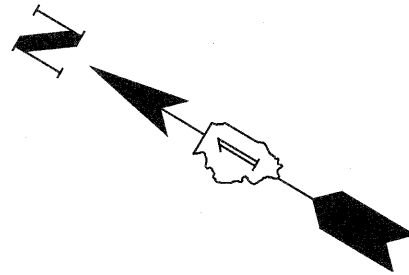
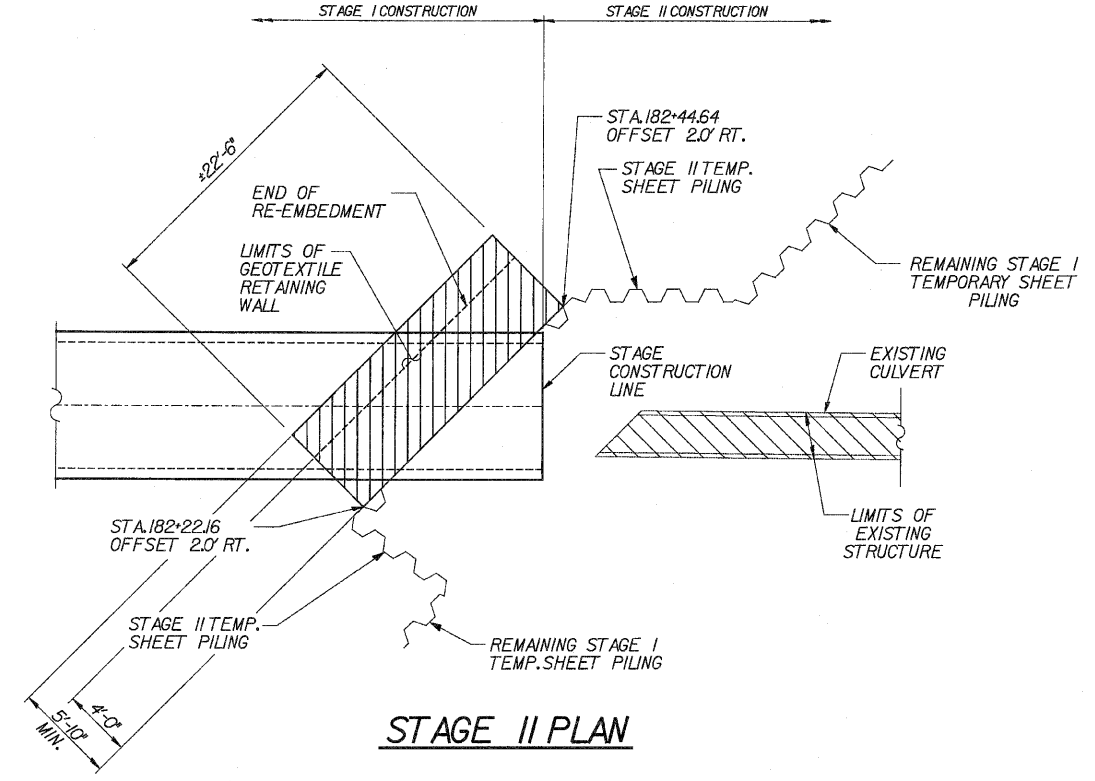


ROUTE NO.	SECTION	COUNTY	TOTAL SHEETS	SHEET NO.
FAP 353	*	WILL	1235	686
FED. ROAD DIST. #		ILLINOIS	FED. AID PROJECT	

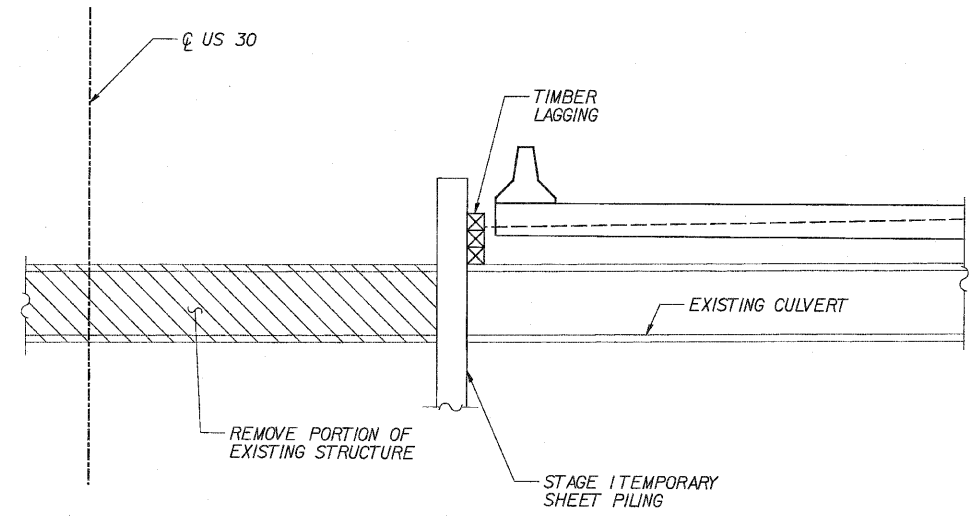
\* SECT. 12 & 13) WRS-3  
\* CONTRACT NO 62478



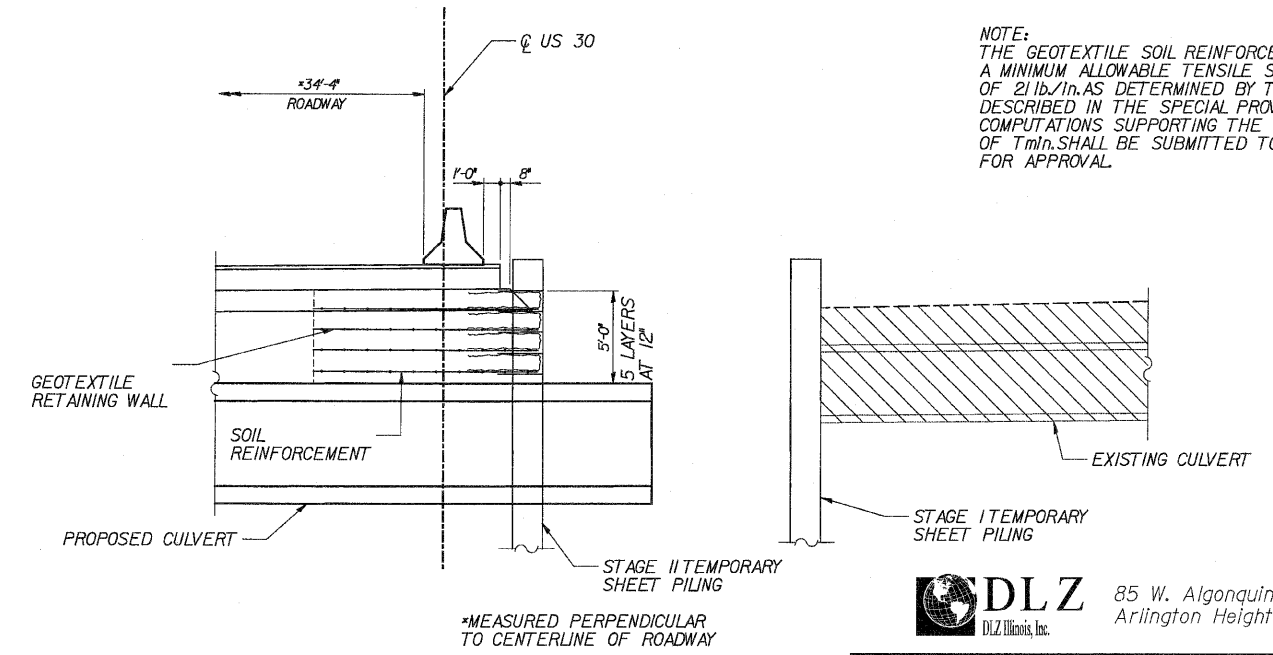
**STAGE I PLAN**



**STAGE II PLAN**



**STAGE I SECTION**



**STAGE II SECTION**

NOTE:  
THE GEOTEXTILE SOIL REINFORCEMENT SHALL HAVE A MINIMUM ALLOWABLE TENSILE STRENGTH (T<sub>m</sub>) OF 21 lb./in. AS DETERMINED BY THE PROCEDURE DESCRIBED IN THE SPECIAL PROVISION. THE COMPUTATIONS SUPPORTING THE DETERMINATION OF T<sub>m</sub> SHALL BE SUBMITTED TO THE ENGINEER FOR APPROVAL.

DESIGNED	ASP
CHECKED	LNB
DRAWN	LNB
CHECKED	ASP

REVISIONS	
NAME	DATE

**DLZ** 85 W. Algonquin Rd. Ste. 220  
Arlington Heights IL 60005  
DLZ Illinois, Inc.

**CULVERT 'J'**  
**STAGING DETAILS**  
U.S. ROUTE 30 (LINCOLN HIGHWAY)  
F.A.P. 353 (U.S. 30)  
SECTION (12 & 13) WRS-3  
STATION 182+31.00  
WILL COUNTY  
STRUCTURE NUMBER 099-C013