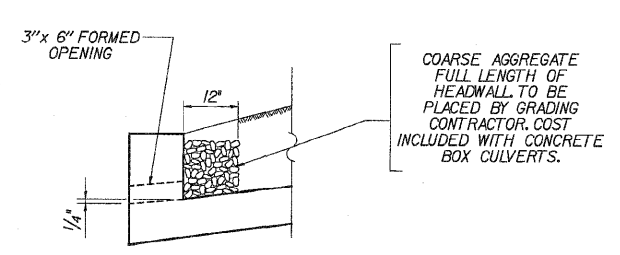
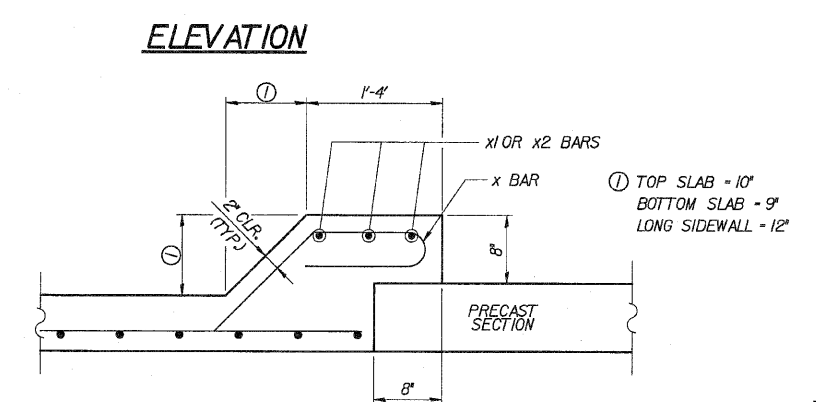


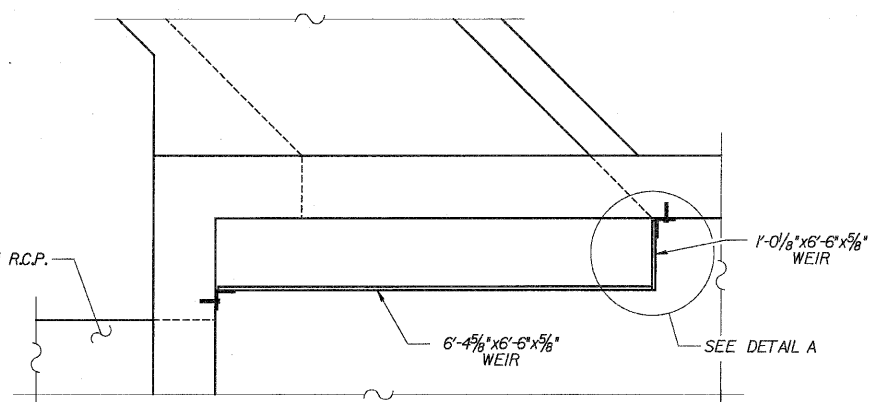
**OUTLET END
HEADWALL DETAIL**



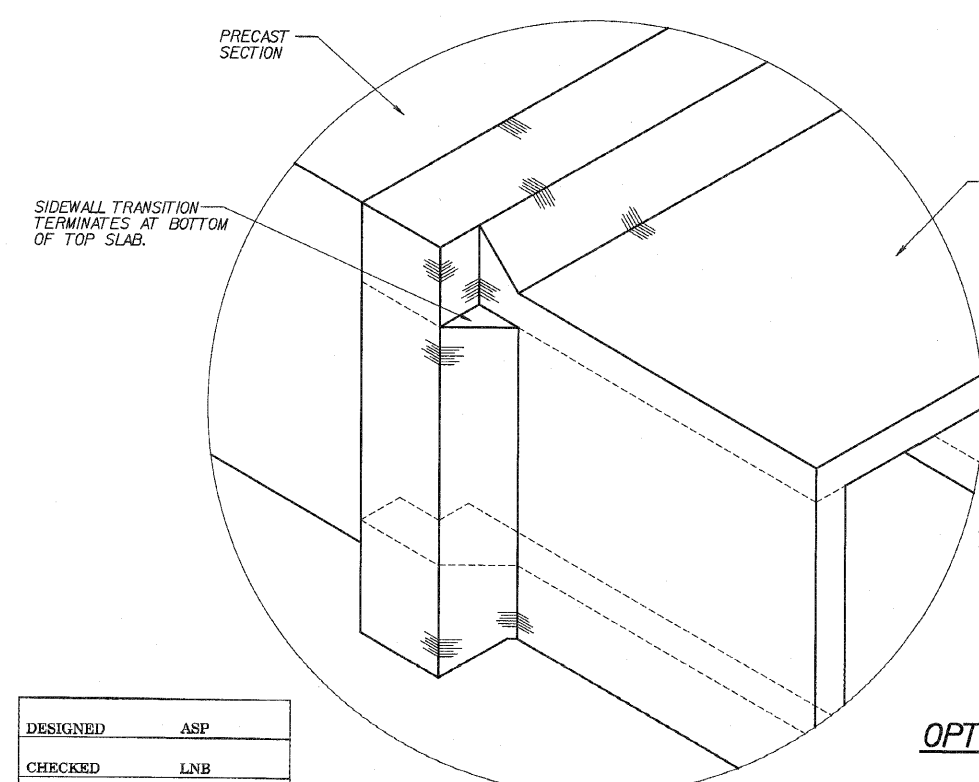
**OUTLET END
DRAIN DETAIL**



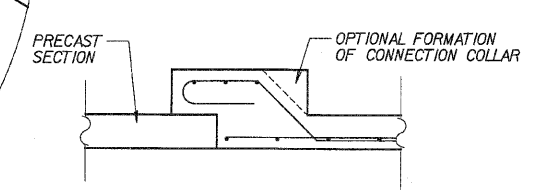
**PRECAST TO CAST-IN-PLACE
CONNECTION COLLAR**



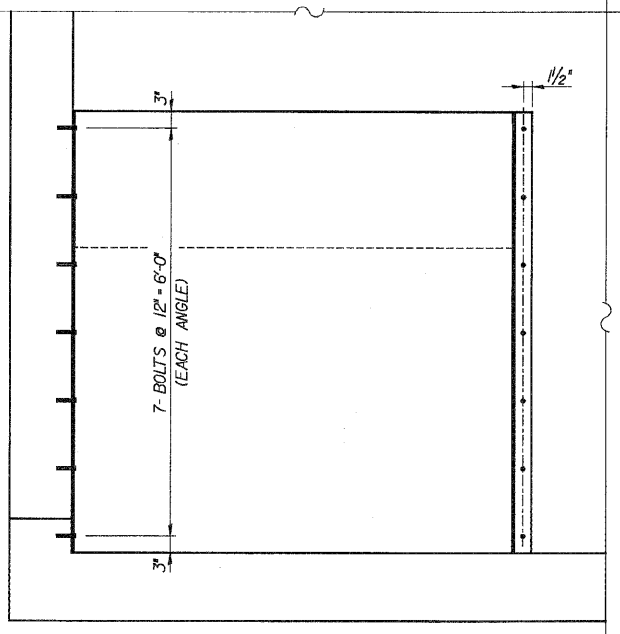
WEIR PLAN



**ISOMETRIC VIEW OF
CONNECTION COLLAR**



**OPTIONAL PRECAST TO CAST-IN-PLACE
CONNECTION COLLAR**



WEIR ELEVATION

- NOTES:
1. ANGLES SHOULD BE 3"x3"x3/8".
 2. ALL STEEL ANGLES AND PLATES TO BE GALVANIZED AFTER FABRICATION
 3. ALL RESTRICTOR PLATES, ANGLES AND HARDWARE TO BE INCLUDED IN THE COST OF CONCRETE BOX CULVERTS.

DLZ 85 W. Algonquin Rd. Ste. 220
Arlington Heights IL 60005
DLZ Illinois, Inc.

CULVERT 'J'
OUTLET ELEVATION & DETAILS
U.S. ROUTE 30 (LINCOLN HIGHWAY)
F.A.P. 353 (U.S. 30)
SECTION (12 & 13) WRS-3
STATION 182+31.00
WILL COUNTY
STRUCTURE NUMBER 099-C013

| | |
|----------|-----|
| DESIGNED | ASP |
| CHECKED | LNB |
| DRAWN | BEM |
| CHECKED | ASP |

| REVISIONS | |
|-----------|------|
| NAME | DATE |
| | |
| | |
| | |

NOTE:
ADDITIONAL CONCRETE USED FOR THE
OPTIONAL COLLAR FORMATION WILL BE
PROVIDED AT THE CONTRACTOR'S EXPENSE.