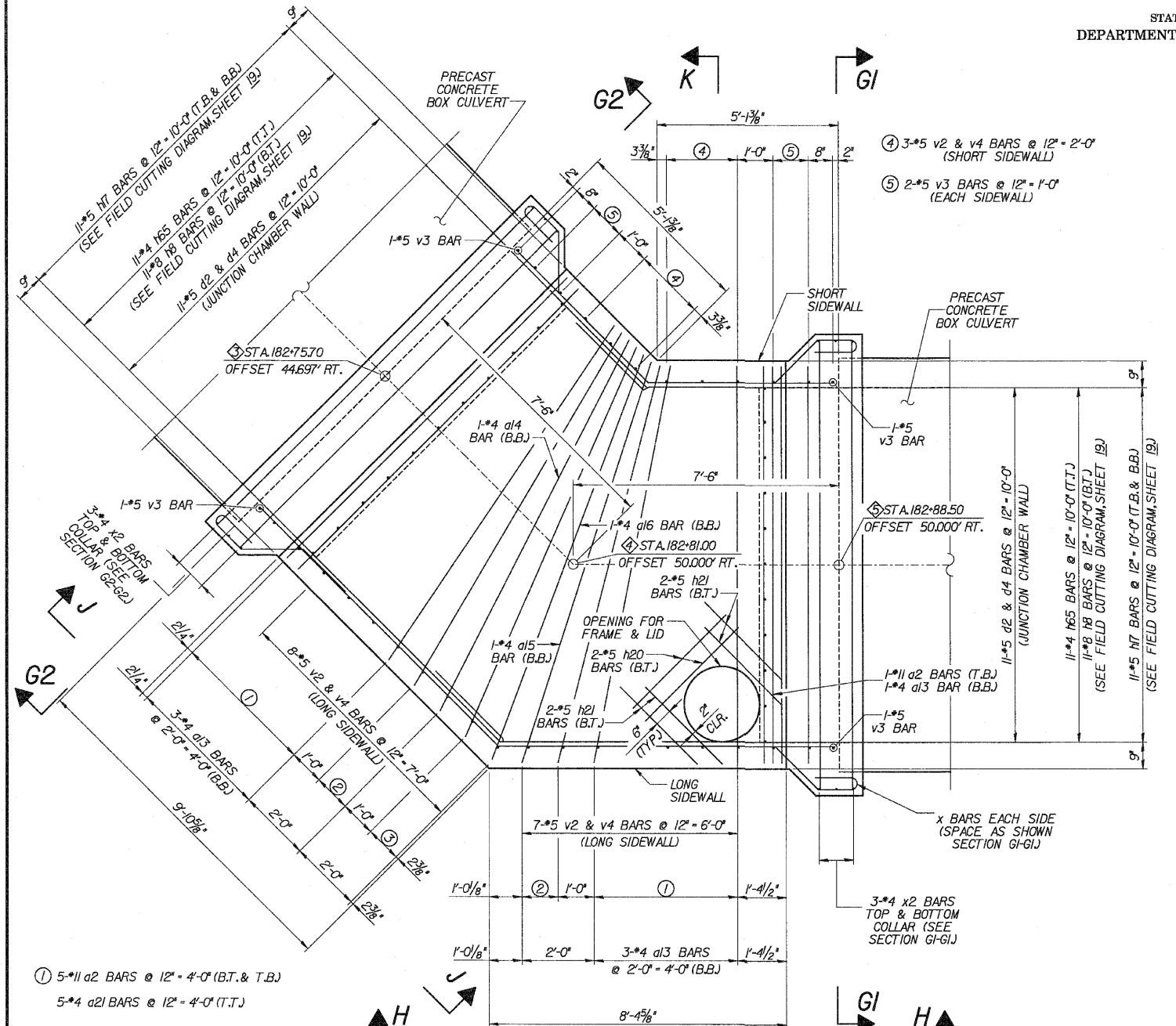


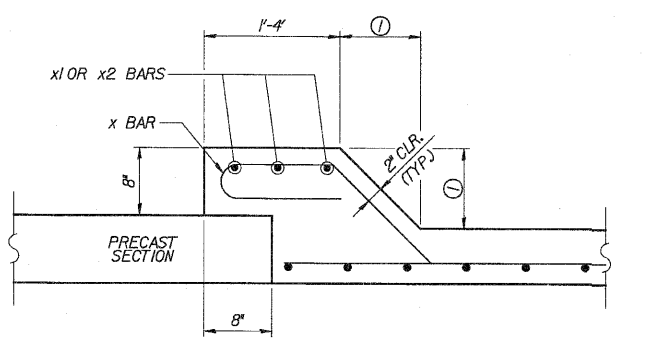
ROUTE NO.	SECTION	COUNTY	TOTAL SHEETS	SHEET NO.
FAP 353	*	WILL	1235	692
FED. ROAD DIST. #		ILLINOIS	FED. AID PROJECT	
* SECT. (12 & 13) WRS-3		* CONTRACT NO. 69479		
* 2*4 a21 BARS				



- ① 5\*11 a2 BARS @ 12" - 4'-0" (B.T. & T.B.)  
5\*4 a21 BARS @ 12" - 4'-0" (T.T.)
- ② 2\*11 a3 BARS @ 12" - 1'-0" (B.T. & T.B.)  
2\*4 a22 BARS @ 12" - 1'-0" (T.T.)
- ③ 2\*11 a4 BARS @ 12" - 1'-0" (B.T. & T.B.)  
2\*4 a23 BARS @ 12" - 1'-0" (T.T.)

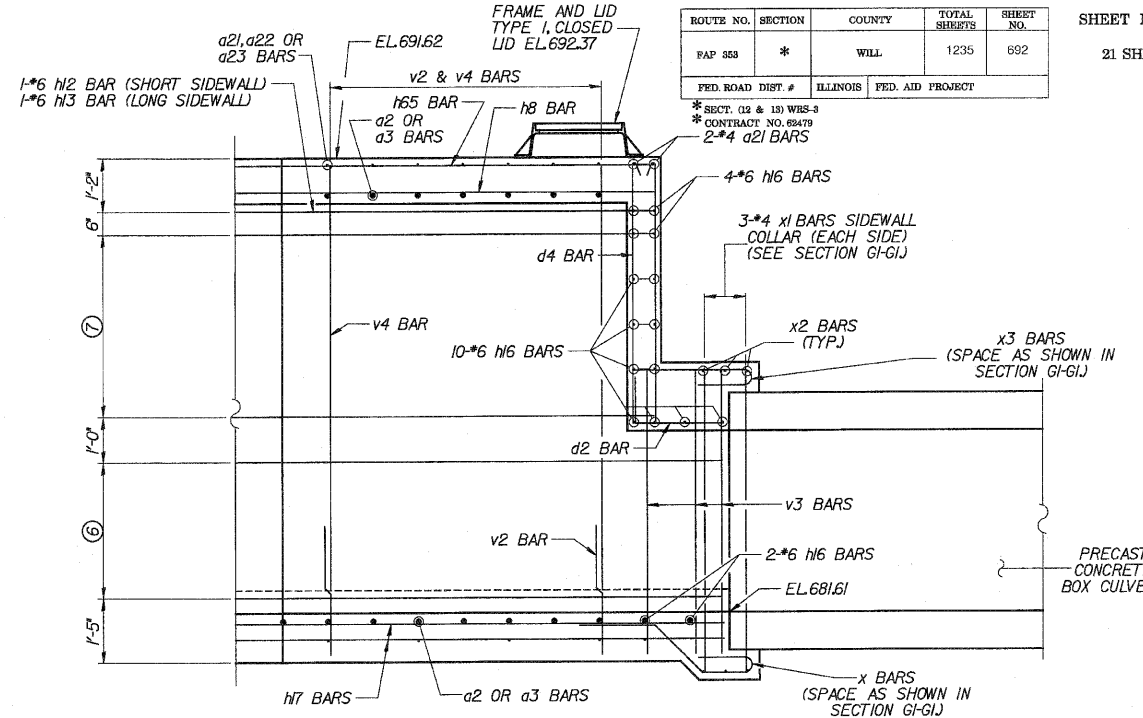
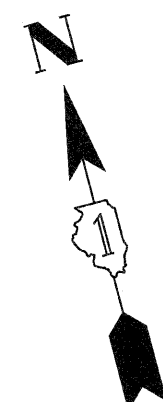
**MIN. LAPS**

T.T. - 1'-0"  
T.B. & B.B. - 1'-3"  
B.T. - 2'-0"



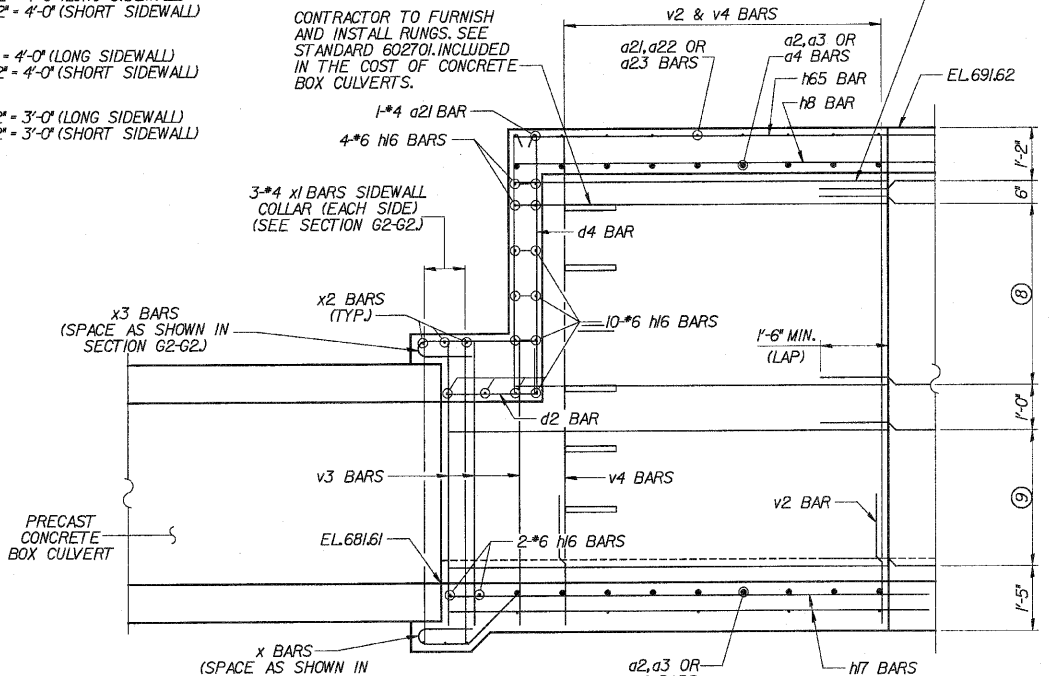
**PRECAST TO CAST-IN-PLACE  
CONNECTION COLLAR**

DESIGNED	ASP
CHECKED	CDS
DRAWN	BEM
CHECKED	ASP



**VIEW H-H**

- ⑥ 4 - \*6 h5 BARS @ 12" - 3'-0" (LONG SIDEWALL)  
4 - \*6 h4 BARS @ 12" - 3'-0" (SHORT SIDEWALL)
- ⑦ 5 - \*6 h3 BARS @ 12" - 4'-0" (LONG SIDEWALL)  
5 - \*6 h2 BARS @ 12" - 4'-0" (SHORT SIDEWALL)
- ⑧ 5 - \*6 h1 BARS @ 12" - 4'-0" (LONG SIDEWALL)  
5 - \*6 h0 BARS @ 12" - 4'-0" (SHORT SIDEWALL)
- ⑨ 4 - \*6 h9 BARS @ 12" - 3'-0" (LONG SIDEWALL)  
4 - \*6 h8 BARS @ 12" - 3'-0" (SHORT SIDEWALL)



**VIEW J-J**

TYPICAL SECTION REFERENCE	
SECTION	SHEET NO.
G1 - G1	13
G2 - G2	13
H - H	10
J - J	10
K - K	14

**LEGEND**

T.T. - TOP OF TOP SLAB  
B.T. - BOTTOM OF TOP SLAB  
T.B. - TOP OF BOTTOM SLAB  
B.B. - BOTTOM OF BOTTOM SLAB

REVISIONS	
NAME	DATE

**DLZ** 85 W. ALGONQUIN RD. STE. 220  
ARLINGTON HEIGHTS, IL 60005

**CULVERT 'J'  
JUNCTION CHAMBER 2 PLAN & ELEV.**  
U.S. ROUTE 30 (LINCOLN HIGHWAY)  
F.A.P. 353 (U.S. 30)  
SECTION (12 & 13) WRS-3  
STATION 182+31.00  
WILL COUNTY  
STRUCTURE NUMBER 099-C013