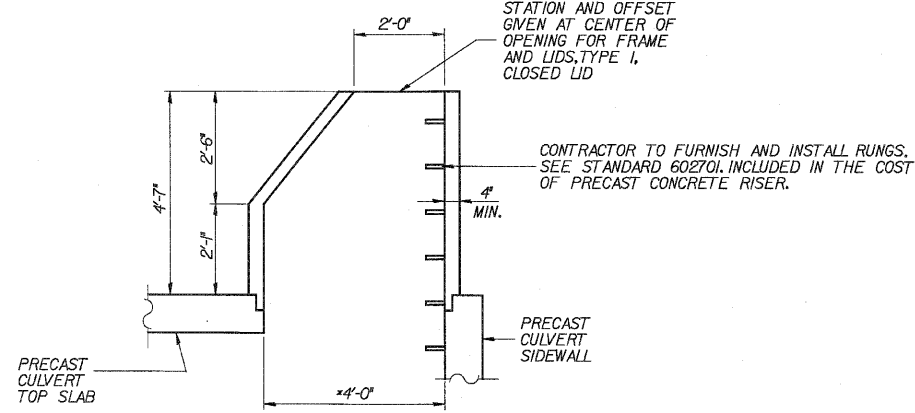


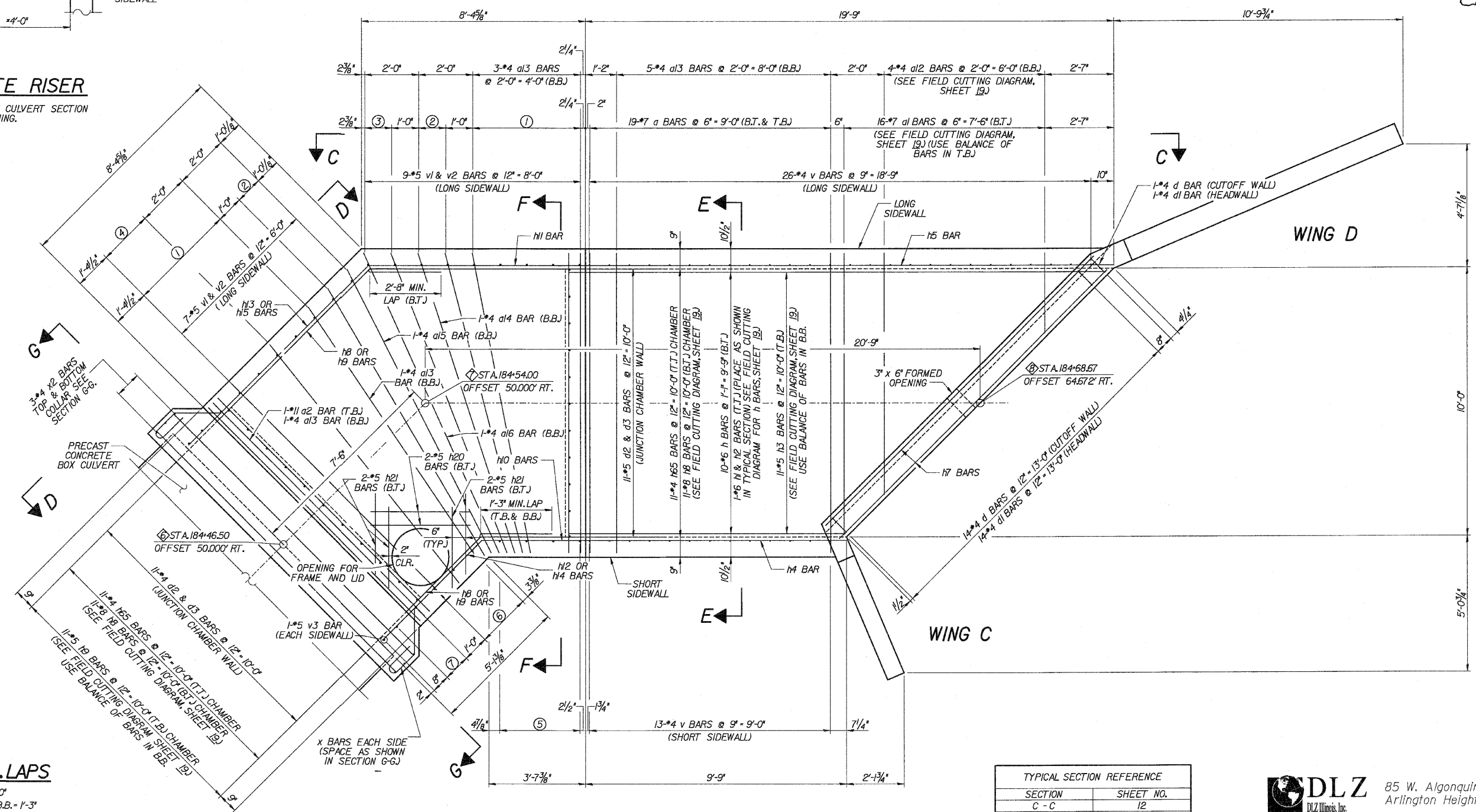
ROUTE NO.	SECTION	COUNTY	TOTAL SHEETS	SHEET NO.
FAP 353	*	WILL	1235	693
FED. ROAD DIST. #		ILLINOIS	FED. AID PROJECT	
* SECT. 12 & 13 WRS-3 * CONTRACT NO. 099-013				



PRECAST CONCRETE RISER

* SPECIAL PRECAST CONCRETE BOX CULVERT SECTION WILL BE REQUIRED FOR THIS OPENING.

- ① 5-#11 a2 BARS @ 12" - 4'-0" (B.T. & T.B.)
5-#4 a21 BARS @ 12" - 4'-0" (T.T.)
- ② 2-#11 a3 BARS @ 12" - 1'-0" (B.T. & T.B.)
2-#4 a22 BARS @ 12" - 1'-0" (T.T.)
- ③ 2-#11 a4 BARS @ 12" - 1'-0" (B.T. & T.B.)
2-#4 a23 BARS @ 12" - 1'-0" (T.T.)
- ④ 2-#4 a13 BARS @ 2'-0" - 2'-0" (B.B.)



MIN. LAPS

T.T. - 1'-0"
T.B. & B.B. - 1'-3"
B.T. - 2'-8"

NOTE:
FIELD CUT a2, a21, h65, h8 BARS, IN TOP OF JUNCTION CHAMBER, AROUND OPENING FOR FRAME AND LID, WHERE NECESSARY.

- ⑤ 4-#5 v1 & v2 BARS @ 12" - 3'-0" (SHORT SIDEWALL)
- ⑥ 3-#5 v1 & v2 BARS @ 12" - 2'-0" (SHORT SIDEWALL)
- ⑦ 2-#5 v3 BARS @ 12" - 1'-0" (EACH SIDEWALL)

PLAN

LEGEND

T.T. - TOP OF TOP SLAB
B.T. - BOTTOM OF TOP SLAB
T.B. - TOP OF BOTTOM SLAB
B.B. - BOTTOM OF BOTTOM SLAB

TYPICAL SECTION REFERENCE	
SECTION	SHEET NO.
C - C	12
D - D	12
E - E	13
F - F	14
G - G	13

DESIGNED	ASP
CHECKED	CDS
DRAWN	BEM
CHECKED	ASP

REVISIONS	
NAME	DATE

DLZ 85 W. Algonquin Rd. Ste. 220
Arlington Heights IL 60005

CULVERT 'J'
INLET/JUNCTION CHAMBER 3 PLAN
U.S. ROUTE 30 (LINCOLN HIGHWAY)
F.A.P. 353 (U.S. 30)
SECTION (12 & 13) WRS-3
STATION 182+31.00
WILL COUNTY
STRUCTURE NUMBER 099-C013