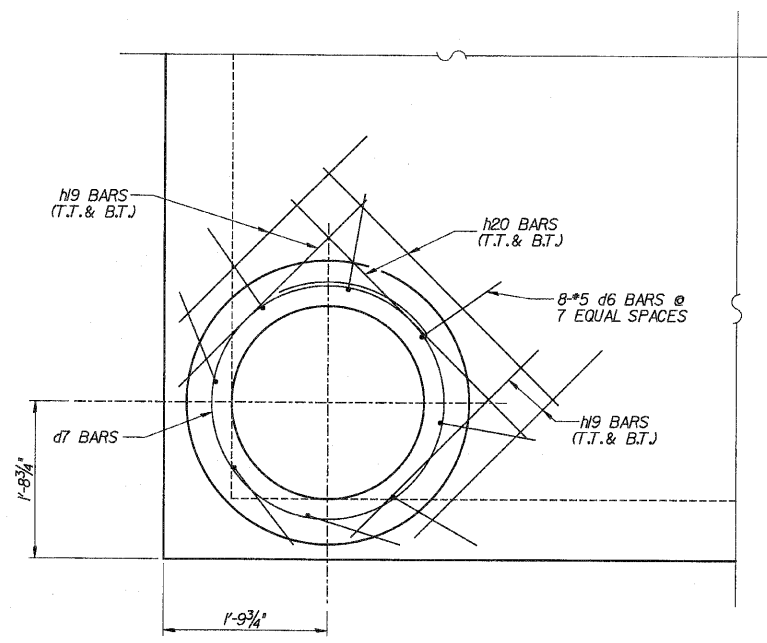
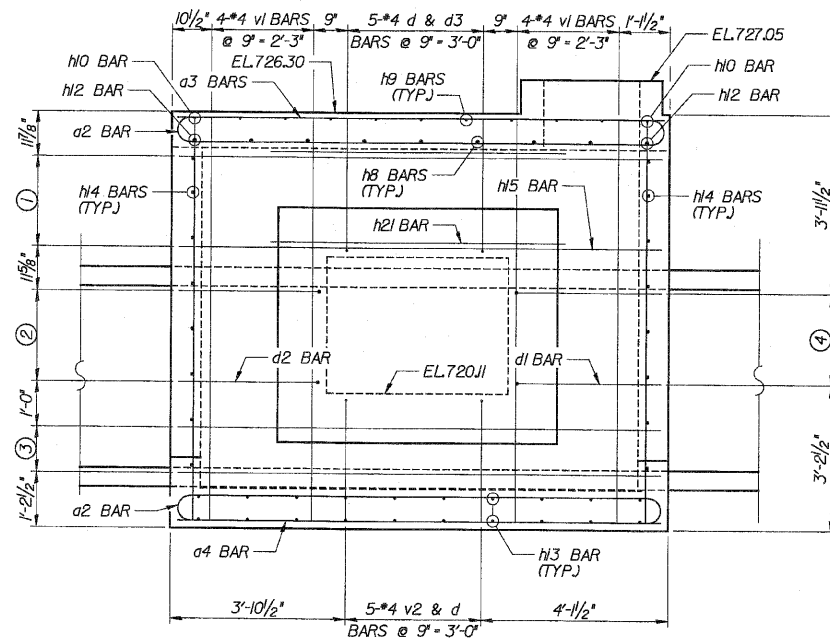
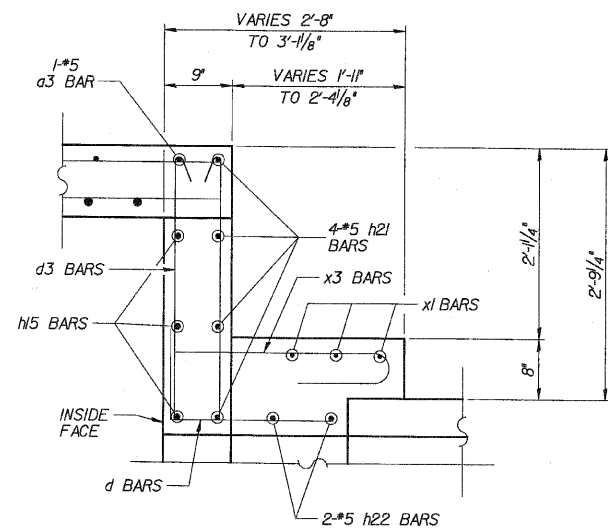


ROUTE NO.	SECTION	COUNTY	TOTAL SHEETS	SHEET NO.
FAP 353	*	WILL	1,385	709
FED. ROAD DIST.		ILLINOIS	FED. AID PROJECT	
			* SECT. 12 & 13 WRS-3 * CONTRACT NO. 62479	

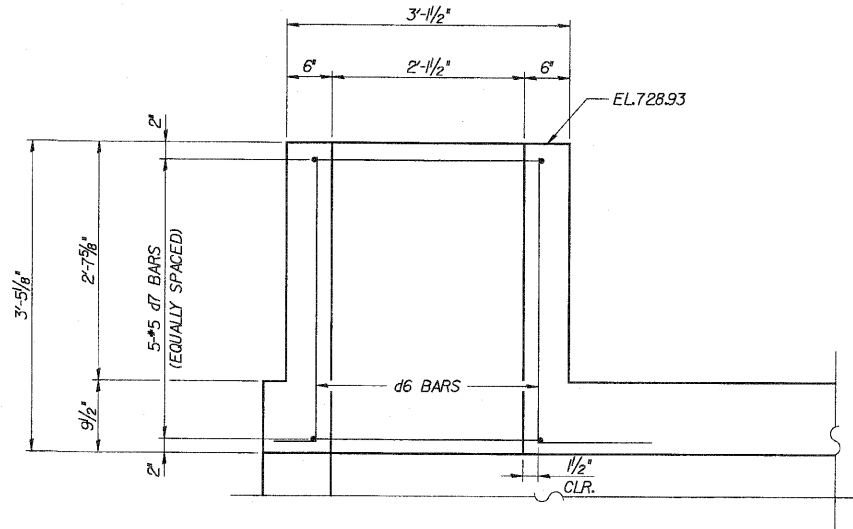


- ① 3\*6 n5 BARS @ 12" - 2'-0" (INSIDE FACE)
- ② 3\*6 d2 BARS @ 12" - 2'-0"
- ③ 2\*6 n5 BARS @ 12" - 1'-0"
- ④ 3\*6 d1 BARS @ 12" - 2'-0"

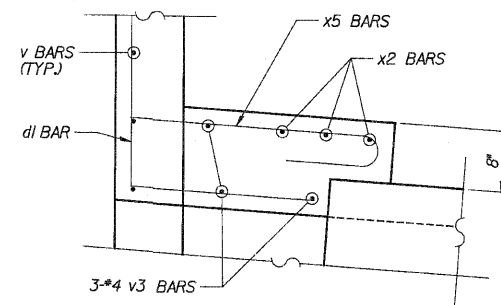
**VIEW J-J**



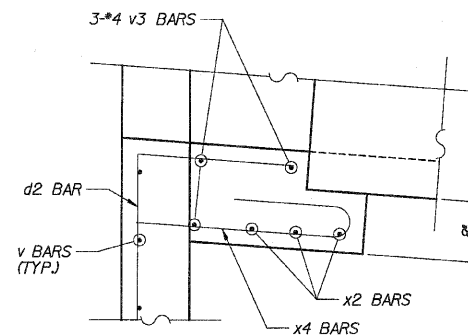
**OUTLET PRECAST TO CAST-IN-PLACE CONNECTION COLLAR**



**DETAIL B**



**DETAIL C**



**DETAIL D**

DESIGNED	ASP
CHECKED	CDS
DRAWN	BEM
CHECKED	ASP

REVISIONS	
NAME	DATE

**DLZ** 85 W. Algonquin Rd. Ste. 220  
Arlington Heights IL 60005  
DLZ Illinois, Inc.

**CULVERT 'K'**  
**OUTLET DETAILS**  
U.S. ROUTE 30 (LINCOLN HIGHWAY)  
F.A.P. 353 (U.S. 30)  
SECTION (12 & 13) WRS-3  
STATION 381+23.02  
WILL COUNTY  
STRUCTURE NUMBER 099-C016