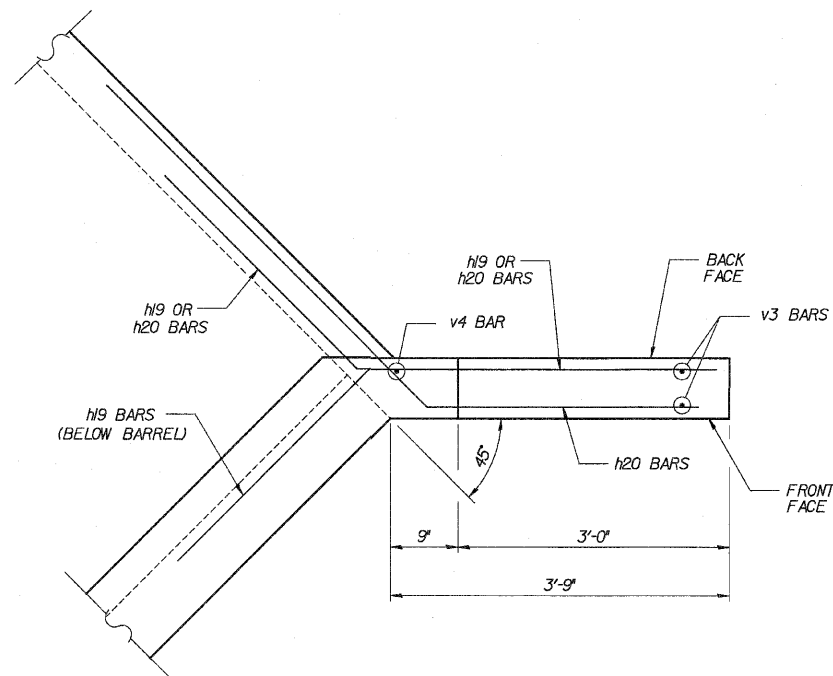
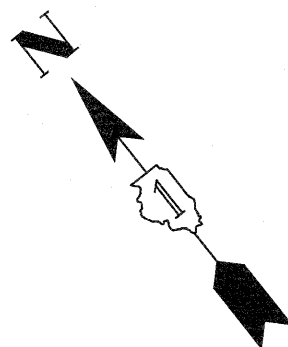
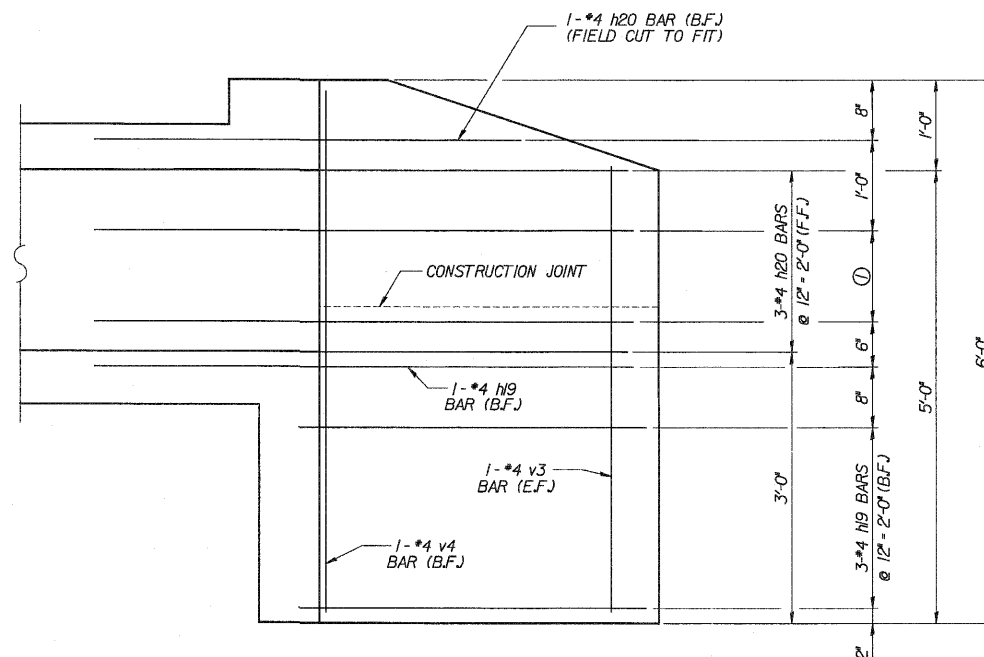


ROUTE NO.	SECTION	COUNTY	TOTAL SHEETS	SHEET NO.
FAP 353	*	WILL	1235	723
FED. ROAD DIST.		ILLINOIS	FED. AID PROJECT	
* SECT. 12 & 13 WRS-3				
* CONTRACT NO. 62479				

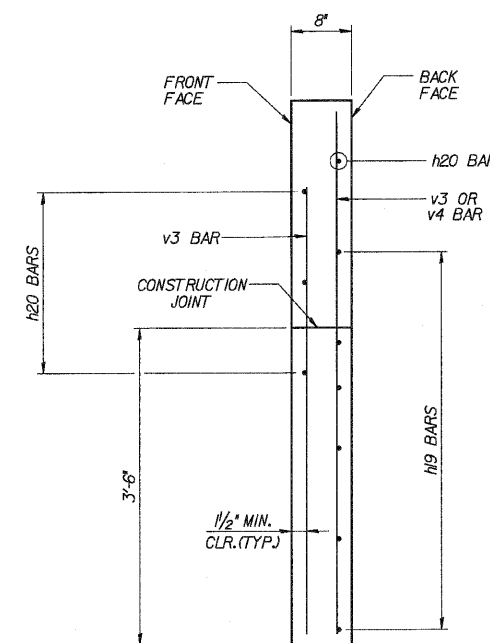


**WING A & B PLAN**



**WING A & B ELEVATION**

① 2 - \*4 H9 BARS @ 12'-1'-0" (B.F.)



**WING A & B TYPICAL SECTION**

DESIGNED	ASP
CHECKED	CDS
DRAWN	BEM
CHECKED	ASP

**LEGEND**

F.F. = FRONT FACE  
B.F. = BACK FACE  
E.F. = EACH FACE

REVISIONS	
NAME	DATE

**DLZ** 85 W. Algonquin Rd. Ste. 220  
Arlington Heights IL 60005  
DLZ Illinois, Inc.

**CULVERT 'L'**  
**WINGS A & B**  
U.S. ROUTE 30 (LINCOLN HIGHWAY)  
F.A.P. 353 (U.S. 30)  
SECTION 12 & 13 WRS-3  
STATION 387+33.00  
WILL COUNTY  
STRUCTURE NUMBER 099-C017