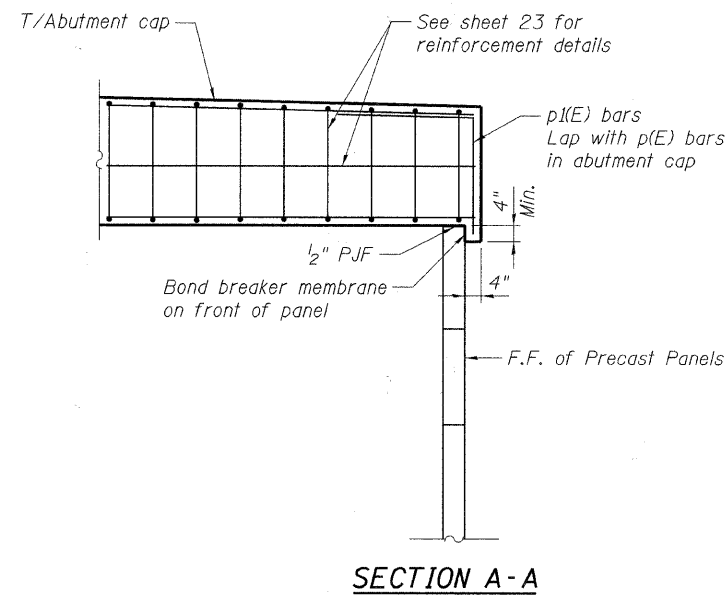
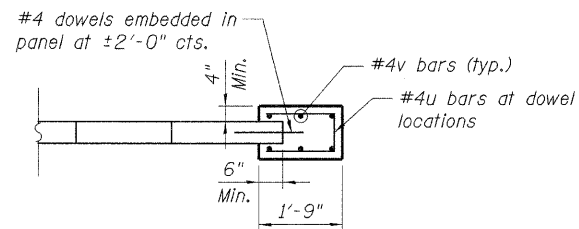


COPING DETAILS - NEAR ABUTMENT

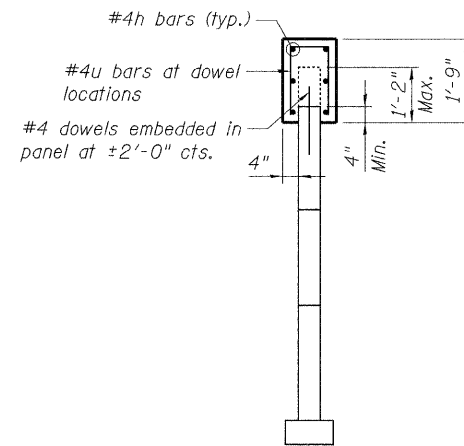


SECTION A-A



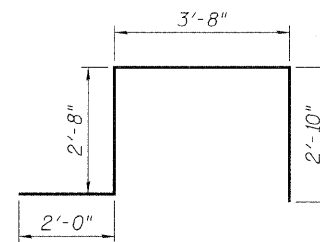
SECTION C-C

Cost of coping including reinforcement is included with MSE Retaining Wall.



SECTION B-B

Cost of coping including reinforcement is included with MSE Retaining Wall.



BAR a1(E)

**MSE WALLS
BILL OF MATERIAL**

Bar	No.	Size	Length	Shape
a1(E)	411	#5	11'-2"	
a2(E)	411	#5	5'-8"	
b1(E)	108	#4	28'-4"	
b2(E)	162	#4	30'-3"	
Item			Unit	Quantity
Structure Excavation			Cu. Yd.	539
Concrete Superstructures			Cu. Yd.	212.9
Reinforcement Bars, Epoxy Coated			Pound	12,540
MSE Retaining Wall			Sq. Ft.	2,527

NOTES:

Work this sheet with sheets 25, 26 & 27.
Anchorage slab concrete shall be paid for as Concrete Superstructure.
Anchorage slab reinforcement shall be paid for as Reinforcement Bars, Epoxy Coated.

\\FS-0044\AMV\VALI.T.D-TRANS_07A_2202\20745-001\STRUCT\CAD\01 DESIGN\A TENG\SHEET\02\0204-SHT
 10-26-2010 15:52:16
 TENG & ASSOCIATES, INC.
 ENGINEERS/ARCHITECTS/PLANNERS
 CHICAGO, ILLINOIS

FILE NAME = #FILEL#	USER NAME = #USER#	DESIGNED - KK	REVISED -	STATE OF ILLINOIS DEPARTMENT OF TRANSPORTATION GREEN GARDEN TOWNSHIP 88TH AVENUE (PEOTONE ROAD)	MSE WALL DETAILS - II	F.A. RTE. N/A	SECTION 03-07118-00-BR	COUNTY WILL	TOTAL SHEETS 43	SHEET NO. 28		
PLOT SCALE = #SCALE#		CHECKED - KPS	REVISED -			SCALE: N.T.S.		CONTRACT NO. 63156				
PLOT DATE = 10-26-2010		DATE - 10/27/10	REVISED -			FED. ROAD DIST. NO. [ILLINOIS] FED. AID PROJECT						