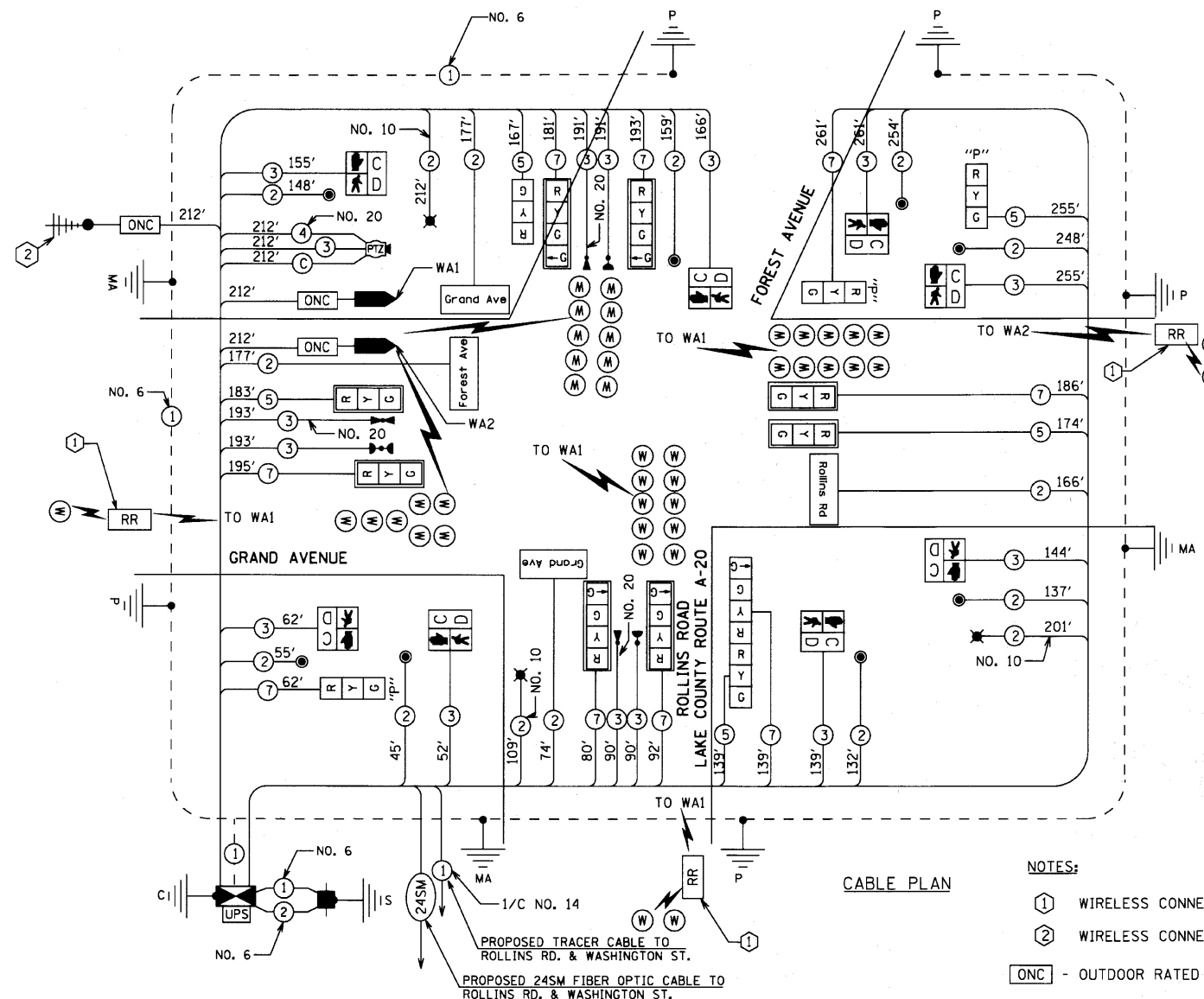


SCHEDULE OF QUANTITIES

ITEM	UNIT	QTY
PORTLAND CEMENT CONCRETE SIDEWALK 5 INCH	SQ FT	1312
DETECTABLE WARNINGS	SQ FT	96
SIDEWALK REMOVAL	SQ FT	1312
COMBINATION CONCRETE CURB AND GUTTER REMOVAL AND REPLACEMENT	FOOT	176
THERMOPLASTIC PAVEMENT MARKING - LINE 12"	FOOT	798
THERMOPLASTIC PAVEMENT MARKING - LINE 24"	FOOT	196
PAVEMENT MARKING REMOVAL	SQ FT	994
CONDUIT IN TRENCH, 2 1/2" DIA., GALVANIZED STEEL	FOOT	63
CONDUIT IN TRENCH, 3 1/2" DIA., GALVANIZED STEEL	FOOT	31
CONDUIT IN TRENCH, 4" DIA., GALVANIZED STEEL	FOOT	20
CONDUIT PUSHED, 2" DIA., GALVANIZED STEEL	FOOT	15
CONDUIT PUSHED, 4" DIA., GALVANIZED STEEL	FOOT	410
HANDHOLE	EACH	3
DOUBLE HANDHOLE	EACH	1
ELECTRIC CABLE IN CONDUIT, 600V (EPR-TYPE RHW) 2-1/C NO. 10	FOOT	522
TRENCH AND BACKFILL FOR ELECTRICAL WORK	FOOT	114
LUMINAIRE, SODIUM VAPOR, HORIZONTAL MOUNT, PHOTO-CELL CONTROL, 250 WATT	EACH	3
FULL-ACTUATED CONTROLLER AND TYPE IV CABINET, SPECIAL	EACH	1
ELECTRIC CABLE IN CONDUIT, SIGNAL NO. 14 2C	FOOT	1772
ELECTRIC CABLE IN CONDUIT, SIGNAL NO. 14 3C	FOOT	1920
ELECTRIC CABLE IN CONDUIT, SIGNAL NO. 14 5C	FOOT	924
ELECTRIC CABLE IN CONDUIT, SIGNAL NO. 14 7C	FOOT	1395
ELECTRIC CABLE IN CONDUIT, SERVICE, NO. 6 2 C	FOOT	64
STEEL COMBINATION MAST ARM ASSEMBLY AND POLE 30 FT. (SPECIAL)	EACH	1
STEEL COMBINATION MAST ARM ASSEMBLY AND POLE 32 FT. (SPECIAL)	EACH	1
CONCRETE FOUNDATION, TYPE A	FOOT	32
CONCRETE FOUNDATION, TYPE C	FOOT	4
CONCRETE FOUNDATION, TYPE E 36-INCH DIAMETER	FOOT	45
SIGNAL HEAD, LED, 1-FACE, 3-SECTION, MAST-ARM MOUNTED	EACH	4
SIGNAL HEAD, LED, 1-FACE, 3-SECTION, BRACKET MOUNTED	EACH	1
SIGNAL HEAD, LED, 1-FACE, 4-SECTION, MAST ARM MOUNTED	EACH	4
SIGNAL HEAD, LED, 2-FACE, 1-3 SECTION, 1-4 SECTION, BRACKET MOUNTED	EACH	1
PEDESTRIAN SIGNAL HEAD, LED, 1-FACE, BRACKET MOUNTED WITH COUNTDOWN TIMER	EACH	8
TRAFFIC SIGNAL BACKPLATE, LOUVERED, ALUMINUM	EACH	8
LIGHT DETECTOR	EACH	3
LIGHT DETECTOR AMPLIFIER	EACH	1
PEDESTRIAN PUSH-BUTTON	EACH	8
TEMPORARY TRAFFIC SIGNAL INSTALLATION	EACH	1
REMOVE ELECTRIC CABLE FROM CONDUIT	FOOT	5886
REMOVE EXISTING TRAFFIC SIGNAL EQUIPMENT	EACH	1
REMOVE EXISTING HANDHOLE	EACH	5
REMOVE EXISTING CONCRETE FOUNDATION	EACH	5
SERVICE INSTALLATION - POLE MOUNTED	EACH	1
UNINTERRUPTIBLE POWER SUPPLY	EACH	1
ELECTRIC CABLE IN CONDUIT, GROUNDING, NO. 6 1C	FOOT	467
ELECTRIC CABLE IN CONDUIT, SIGNAL, NO. 20 3/C, TWISTED, SHIELDED	FOOT	474
OPTICALLY PROGRAMMED SIGNAL HEAD, LED, 1-FACE, 3-SECTION, BRACKET MOUNTED	EACH	3
ELECTRIC CABLE IN CONDUIT, COAXIAL	FOOT	212
TRAFFIC SIGNAL POST, 16 FOOT, (SPECIAL)	EACH	5
TRAFFIC SIGNAL POST, 18 FOOT, (SPECIAL)	EACH	2
LED INTERNALLY ILLUMINATED STREET NAME SIGN	EACH	4
REMOTE CONTROLLED VIDEO SYSTEM	EACH	1
LAYER II (DATALINK) SWITCH	EACH	1
WIRELESS VEHICLE DETECTION SYSTEM	EACH	1
VIDEO ENCODER	EACH	1
OUTDOOR RATED NETWORK CABLE	FOOT	636
ELECTRIC CABLE IN CONDUIT, 4/C #20, VIDEO	FOOT	212
STEEL COMBINATION MAST ARM ASSEMBLY AND POLE WITH DUAL MAST ARMS, 28FT. AND 30FT. (SPECIAL)	EACH	1
WIRELESS SYSTEM NODE	EACH	1



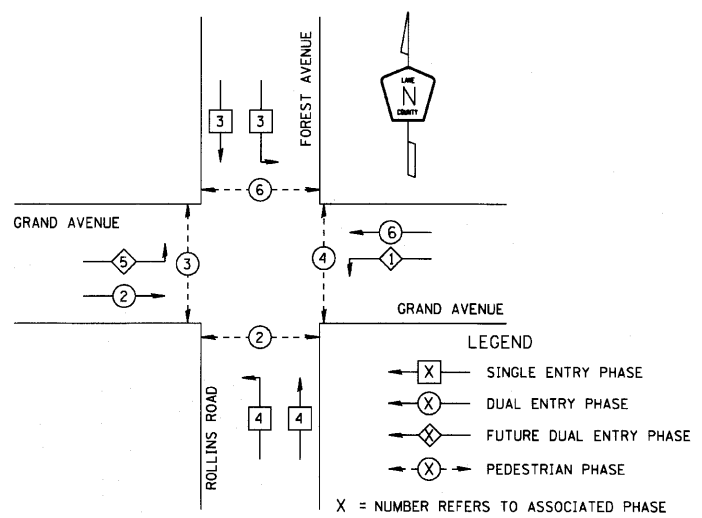
- NOTES:
- ① WIRELESS CONNECTION TO ACCESS POINT
 - ② WIRELESS CONNECTION TO GRAND AVE. @ US 12
 - ONC - OUTDOOR RATED NETWORK CABLE

TYPE	NO. OF LAMPS	WATTAGE		% OPERATION	TOTAL WATTAGE (LED)
		INCAND.	LED		
SIGNAL (RED)	13		10	0.50	65
SIGNAL (YELLOW)	13		19	0.10	24.7
SIGNAL (GREEN)	17		11	0.40	74.8
PED SIGNAL	8		9	1.00	72
CONTROLLER	1		100	1.00	100
LUMINAIRE	3		250	0.50	375
L.E.D. ST. NAME SIGN	4		64	0.50	128
VIDEO SYSTEM	1		150	1.00	150
BATTERY BACKUP	1		25	1.00	25
TOTAL					1,014.50

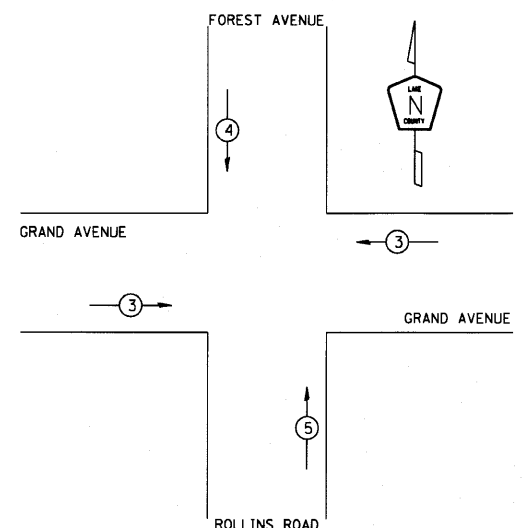
ENERGY COSTS - BILLED TO: VILLAGE OF FOX LAKE
 (ADDRESS) 66 THILLEN DR.
 (ADDRESS) FOX LAKE, IL

ENERGY SUPPLY - CONTACT: MR. FRANK ZACCARI
 PHONE: (847) 816-5489
 COMPANY: COMED

CONTROLLER SEQUENCE



EMERGENCY VEHICLE PREEMPTION SEQUENCE



PROPOSED EMERGENCY VEHICLE PREEMPTOR

EMERGENCY VEHICLE PREEMPTOR	3	4	5
MOVEMENT	←	↓	↑

FILE NAME: #FILE#



USER NAME = JM
 PLOT SCALE = 1 INCH = 20 FEET
 PLOT DATE = 10-05-2010

DESIGNED - DG
 DRAWN - JM
 CHECKED - DG
 DATE - 10-05-2010

REVISED -
 REVISED -
 REVISED -
 REVISED -

STATE OF ILLINOIS
 DEPARTMENT OF TRANSPORTATION

CABLE PLAN AND PHASE DESIGNATION DIAGRAM
 ROLLINS RD. @ GRAND AVE.
 SCALE: N/A

ROUTE	SECTION	SECTION NUMBER	SHEET	SHEETS
FAU 181		09-00999-07-TL	17	72
CORE-4			CONTRACT NO. 03472	