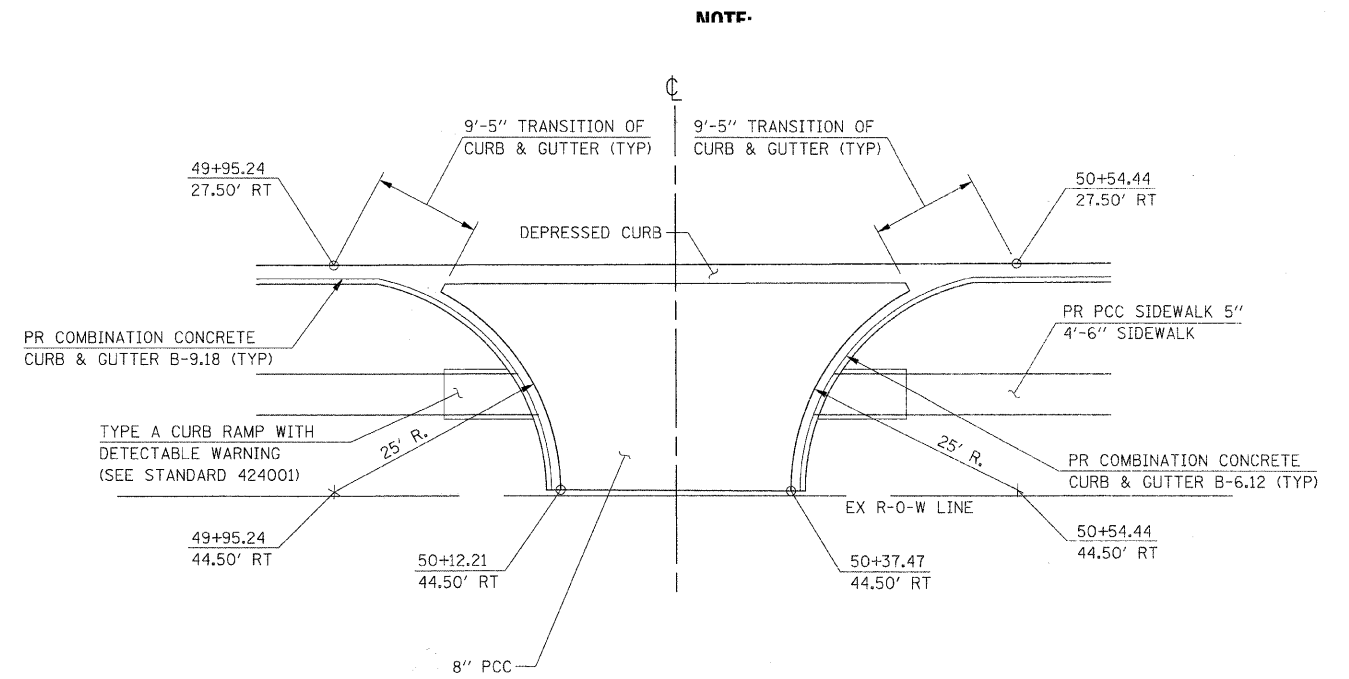
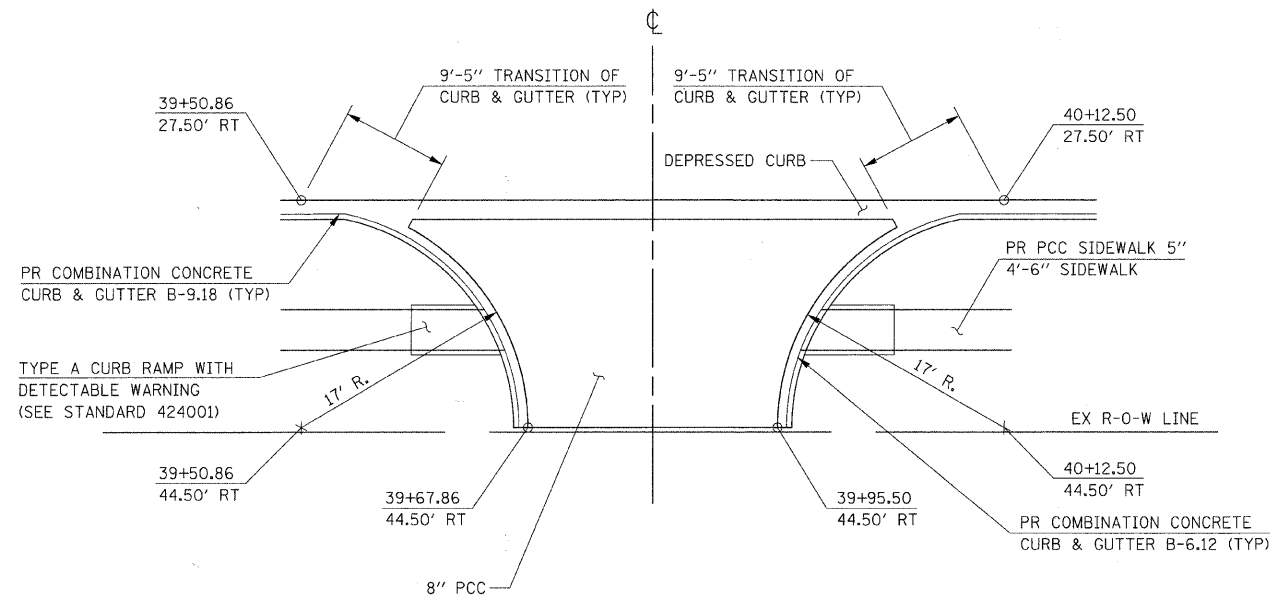


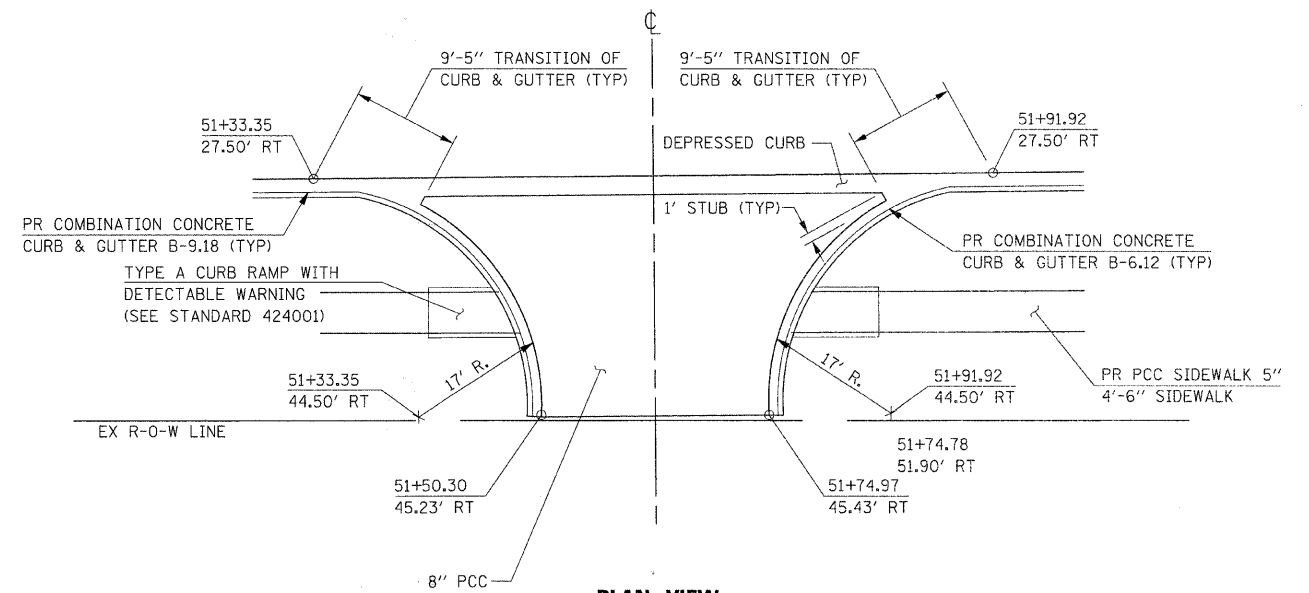
**PLAN VIEW**  
**CE LT STA. 35+33**



**PLAN VIEW**  
**CE RT STA. 50+25**



**PLAN VIEW**  
**CE RT STA. 39+82**



**PLAN VIEW**  
**CE RT STA. 51+62**

FILE NAME = G:\S09021\CADD\_Sheets\9021EDET02.dgn

USER NAME = IE Consultants  
 PLOT SCALE = 1/8" = 1' / IN.  
 PLOT DATE = 10/22/2010

DESIGNED -  
 DRAWN -  
 CHECKED -  
 DATE -

REVISED -  
 REVISED -  
 REVISED -  
 REVISED -

**STATE OF ILLINOIS**  
**DEPARTMENT OF TRANSPORTATION**

**ENTRANCE DETAILS**

SCALE: 1" = 10' SHEET NO. OF SHEETS STA. TO STA.

F.A.U.	SECTION	COUNTY	TOTAL SHEETS	SHEET NO.
1578	06-00046-01-PV	WILL	244	176
CONTRACT NO. 63503			ILLINOIS FED. AID PROJECT	