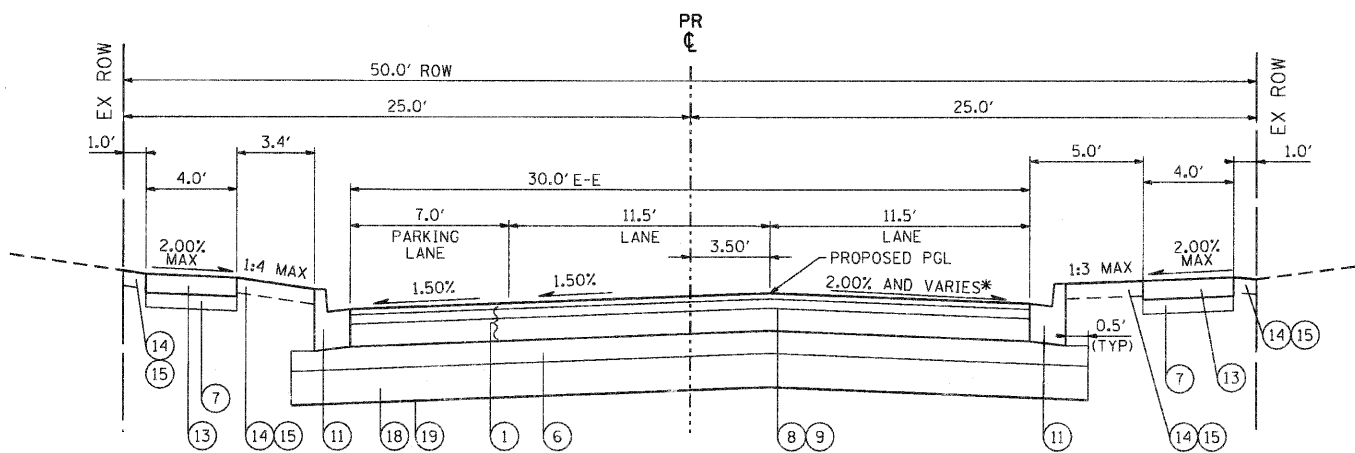


PROPOSED TYPICAL SECTION LEGEND

- ① HOT-MIX ASPHALT PAVEMENT (FULL DEPTH), 9"
- ② HOT-MIX ASPHALT BASE COURSE WIDENING, 10 1/2" (IN 4 LIFTS)
- ③ HOT-MIX ASPHALT SURFACE COURSE, MIX "D" N50, 2"
- ④ HOT-MIX ASPHALT SURFACE COURSE, MIX "D" N70, 2"
- ⑤ LEVELING BINDER (MACHINE METHOD), N70, 1" (MIN)
- ⑥ AGGREGATE SUBGRADE, 12"
- ⑦ SUB-BASE GRANULAR MATERIAL, TYPE B 4"
- ⑧ BITUMINOUS MATERIALS (PRIME COAT)
- ⑨ AGGREGATE (PRIME COAT)
- ⑩ CONCRETE CURB, TYPE B
- ⑪ COMB CONC C&G, TYPE B-6.12
- ⑫ COMB CONC C&G, TYPE B-6.24
- ⑬ PORTLAND CEMENT CONC SW, 5"
- ⑭ TOPSOIL FURNISH AND PLACE, 4"
- ⑮ SEEDING, CLASS 1B
- ⑯ HOT-MIX ASPHALT SHOULDERS, 6"
- ⑰ AGGREGATE SHOULDERS, TYPE B, 6"
- ⑱ POROUS GRANULAR EMBANKMENT, SUBGRADE (VARIES)
- ⑲ GEOTECHNICAL FABRIC FOR GROUND STABILIZATION
- ⑳ PIPE UNDERDRAINS, 4"

MONROE AVENUE  
PAVEMENT CROSS SLOPE TABLE

STATION	LEFT	RIGHT
311+73.39	-1.5%	-2.0%
315+85.00	-1.5%	-2.0%
316+00.00	-1.5%	-1.5%
318+91.40	-1.5%	-1.5%



PROPOSED TYPICAL SECTION  
MONROE AVENUE

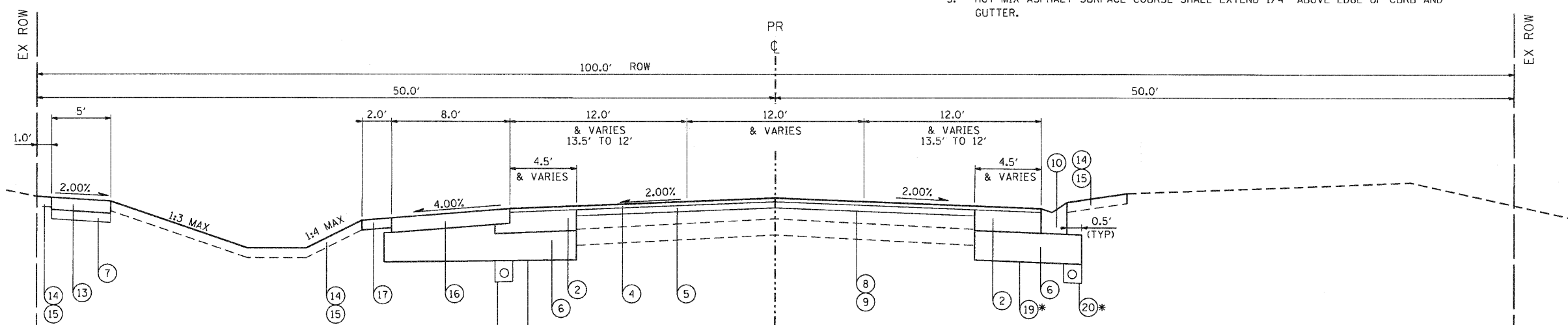
STA 300+00.00 TO STA 319+83.17

\*SEE PAVEMENT CROSS SLOPE TABLE

PGES 12" STA 300+00.00 TO STA 319+83.17  
GEOTECH FABRIC STA 300+00.00 TO STA 319+83.17

NOTES:

1. SEE PLANS FOR PROPOSED ROW AND EASEMENT LOCATIONS
2. DEPRESSED CURB SHALL BE USED AT ALL DRIVEWAYS.
3. LOCATIONS AND DEPTHS OF PGES AND FABRIC ARE ESTIMATED. ACTUAL DEPTHS AND LOCATIONS TO BE VERIFIED IN THE FIELD DURING CONSTRUCTION
4. CONTRACTOR SHALL MILL BEFORE PATCHING.
5. HOT-MIX ASPHALT SURFACE COURSE SHALL EXTEND 1/4" ABOVE EDGE OF CURB AND GUTTER.



PROPOSED TYPICAL SECTION  
DUNDEE ROAD

STA 515+62.00 TO STA 521+83.03

\* GEOTECH FABRIC STA 518+50 TO STA 521+83.03  
PIPE UNDERDRAIN STA 516+50 TO STA 517+00 (LT & RT)

COMPANY NAME: SEC GROUP, INC.  
PROJECT CONTACT: JAMES OF CARPENTERSVILLE  
DATE PLOTTED: 11/2/2010 11:00:11 AM  
FILE NAME: 080226-1yp-05.dgn  
PLOT DRIVER: pdfplot  
PEN TABLE: standard-trans.tbl

**SEC Group, Inc.**  
An IRI Group Company  
4214 First Street  
Merrillville, IL 60009-2138  
t: 815.365.1775 f: 815.365.1781  
www.secgroupinc.com  
Merrillville, IL • Normal, IL • Naperville, IL • Chicago, IL

USER NAME = Charles	DESIGNED - J. ATTANASEO	REVISED -
PLOT SCALE = N.T.S.	DRAWN - R. BEST	REVISED -
PLOT DATE = 11/2/2010	CHECKED - T. HAMILTON	REVISED -
	DATE - 10/25/10	REVISED -

VILLAGE OF CARPENTERSVILLE

PROPOSED TYPICAL SECTIONS

SCALE: N.T.S. SHEET NO. 5 OF 6 SHEETS STA. TO STA.

F.A. RTE.	SECTION	COUNTY	TOTAL SHEETS	SHEET NO.
*	06-00074-00-FP	KANE	211	10
* FAU 2414, FAU 1280, FAP 343			CONTRACT NO. 63504	
FED. ROAD DIST. NO.		ILLINOIS FED. AID PROJECT		