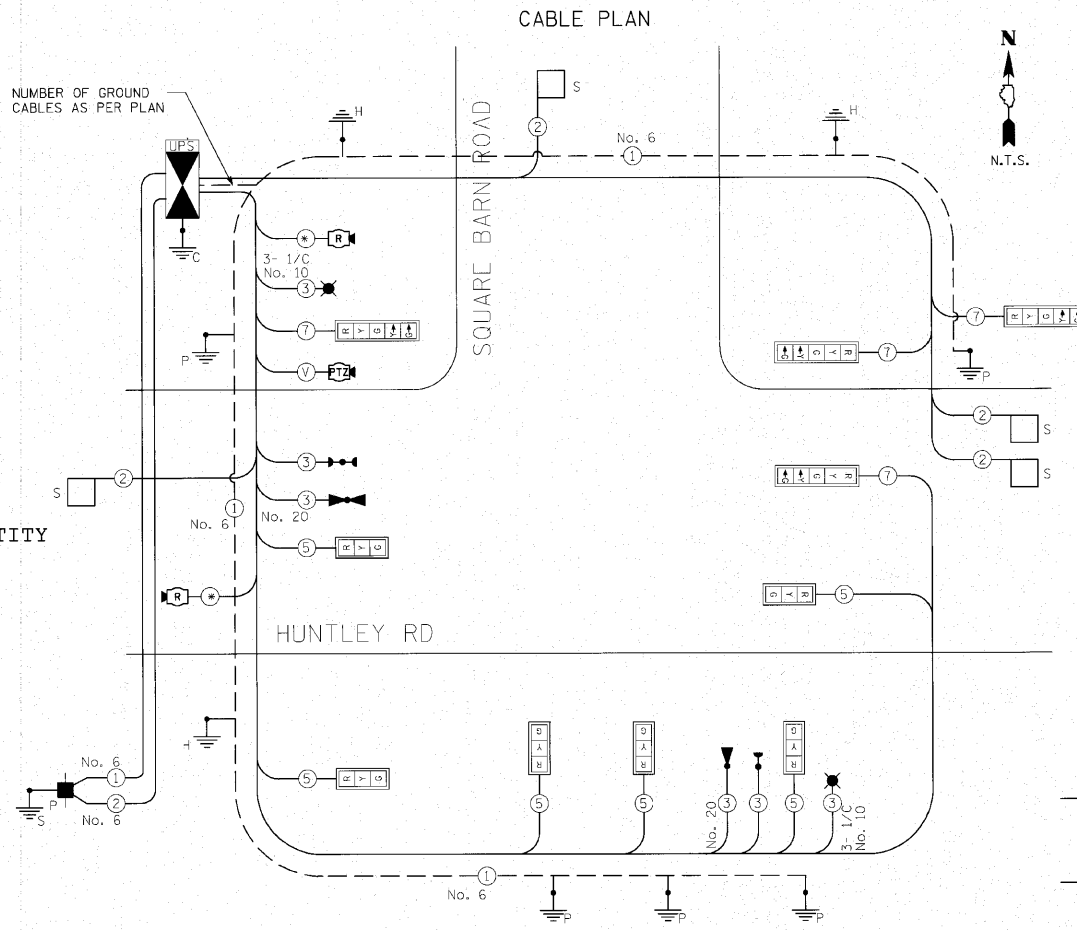


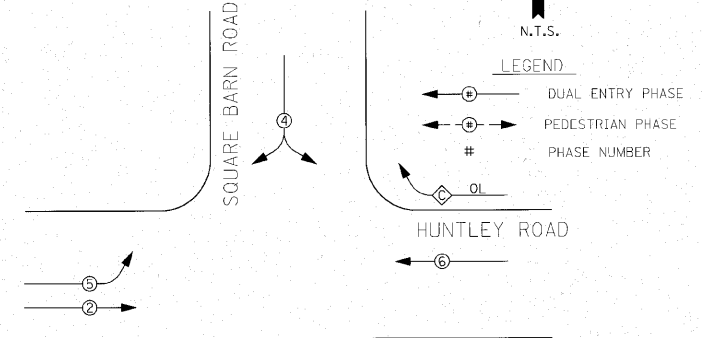
SCHEDULE OF QUANTITIES

PAY ITEM	UNIT	QUANTITY
CONDUIT IN TRENCH, 2" DIA., GALVANIZED STEEL	FOOT	702
CONDUIT IN TRENCH, 2 1/2" DIA., GALVANIZED STEEL	FOOT	12
CONDUIT IN TRENCH, 3" DIA., GALVANIZED STEEL	FOOT	241
CONDUIT IN TRENCH, 4" DIA., GALVANIZED STEEL	FOOT	96
CONDUIT PUSHED, 2" DIA., GALVANIZED STEEL	FOOT	102
CONDUIT PUSHED, 4" DIA., GALVANIZED STEEL	FOOT	130
HANDHOLE	EACH	5
DOUBLE HANDHOLE	EACH	1
ELECTRIC CABLE IN CONDUIT, 600V (XLP-TYPE USE) 3-1/C NO. 10	FOOT	400
TRENCH AND BACKFILL FOR ELECTRICAL WORK	FOOT	1036
LUMINAIRE, SODIUM VAPOR, HORIZONTAL MOUNT, PHOTO-CELL CONTROL, 310 WATT	EACH	2
MAINTENANCE OF TEMPORARY TRAFFIC SIGNAL INSTALLATION	EACH	1
FULL-ACTUATED CONTROLLER AND TYPE IV CABINET	EACH	1
ELECTRIC CABLE IN CONDUIT, SIGNAL NO. 14 3C	FOOT	326
ELECTRIC CABLE IN CONDUIT, SIGNAL NO. 14 5C	FOOT	1131
ELECTRIC CABLE IN CONDUIT, SIGNAL NO. 14 7C	FOOT	726
ELECTRIC CABLE IN CONDUIT, LEAD-IN, NO. 14 1 PAIR	FOOT	1430
ELECTRIC CABLE IN CONDUIT, SERVICE, NO. 6 2 C	FOOT	122
TRAFFIC SIGNAL POST, 14 FT.	EACH	1
STEEL MAST ARM ASSEMBLY AND POLE, 18 FT.	EACH	1
STEEL COMBINATION MAST ARM ASSEMBLY AND POLE 28 FT.	EACH	1
STEEL COMBINATION MAST ARM ASSEMBLY AND POLE 34 FT.	EACH	1
CONCRETE FOUNDATION, TYPE A	FOOT	8
CONCRETE FOUNDATION, TYPE C	FOOT	4
CONCRETE FOUNDATION, TYPE E 30-INCH DIAMETER	FOOT	10
CONCRETE FOUNDATION, TYPE E 36-INCH DIAMETER	FOOT	20
SIGNAL HEAD, LED, 1-FACE, 3-SECTION, MAST-ARM MOUNTED	EACH	4
SIGNAL HEAD, LED, 1-FACE, 3-SECTION, BRACKET MOUNTED	EACH	2
SIGNAL HEAD, LED, 1-FACE, 5-SECTION, BRACKET MOUNTED	EACH	2
SIGNAL HEAD, LED, 1-FACE, 5-SECTION, MAST-ARM MOUNTED	EACH	2
TRAFFIC SIGNAL BACKPLATE, LOUVERED	EACH	10
INDUCTIVE LOOP DETECTOR	EACH	2
DETECTOR LOOP, TYPE I	FOOT	96
LIGHT DETECTOR	EACH	3
LIGHT DETECTOR AMPLIFIER	EACH	1
REMOVE TEMPORARY TRAFFIC SIGNAL INSTALLATION	EACH	1
VIDEO SURVEILLANCE SYSTEM COMPLETE	EACH	1
EMERGENCY VEHICLE PRIORITY SYSTEM LINE SENSOR CABLE, NO. 20 3/C	FOOT	326
RADAR VEHICLE DETECTION SYSTEM	EACH	1
UNINTERRUPTIBLE POWER SUPPLY	EACH	1
ELECTRIC CABLE IN CONDUIT, GROUNDING, NO. 6 1C	FOOT	671
RE-OPTIMIZE TRAFFIC SIGNAL SYSTEM LEVEL 2	EACH	1
ETHERNET SWITCH, TYPE 1	EACH	1
MALFUNCTION MANAGEMENT UNIT	EACH	1

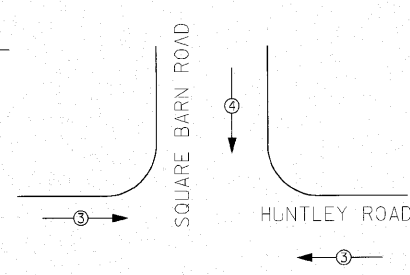


V = VENDOR SUPPLIED
 * MICROWAVE SENSOR CABLE FOR WAVETRONICS SYSTEM.
 REFER TO SPECIFICATIONS FOR TYPE AND SIZE.

CONTROLLER SEQUENCE
N.T.S.



PHASE DESIGNATION DIAGRAM



PROPOSED EMERGENCY VEHICLE PREEMPTORS		
EMERGENCY VEHICLE PREEMPTOR	3	4
MOVEMENT	← →	↓

EMERGENCY VEHICLE PREEMPTION SEQUENCE

KANE COUNTY TRAFFIC SIGNAL INSTALLATION ELECTRICAL SERVICE REQUIREMENTS					TOTAL WATTAGE
TYPE	NO. OF LAMPS/INCAND.	WATTAGE	LED % OPERATION		
SIGNAL (RED)	10		17	0.53	90
(YELLOW)	10		25	0.06	15
(GREEN)	10		15	0.41	62
ARROW	4		12	0.22	11
PED. SIGNAL	-				
CONTROLLER	1		100	1.00	100
VIDEO SYSTEM	1	150		1.00	150
LUMINAIRE	2	310		0.50	310
RADAR DET	2	9		1.00	18
EVP DETECTION	3	4		1.00	12
LOOP DETECTION	3	4		1.00	12
UPS	1	50		1.00	50
ENERGY COSTS TO:				TOTAL =	830
KANE COUNTY ENERGY SUPPLY: CONTACT: KATHY NYSTROM					
PHONE: (847) 608-2331					
COMPANY: COMED					