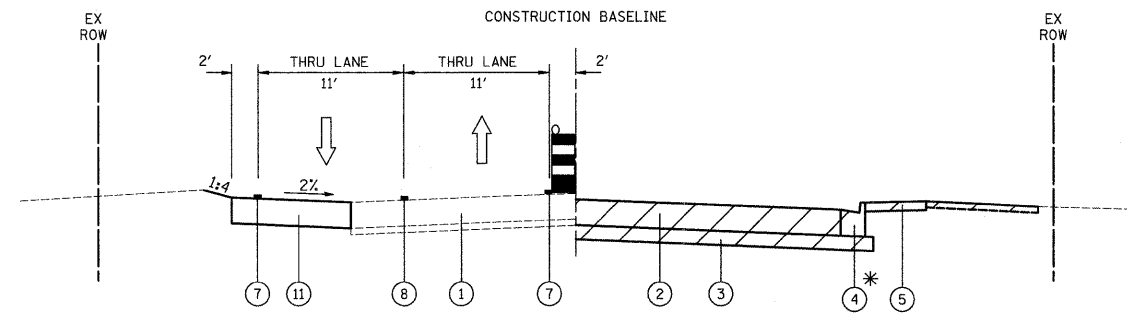
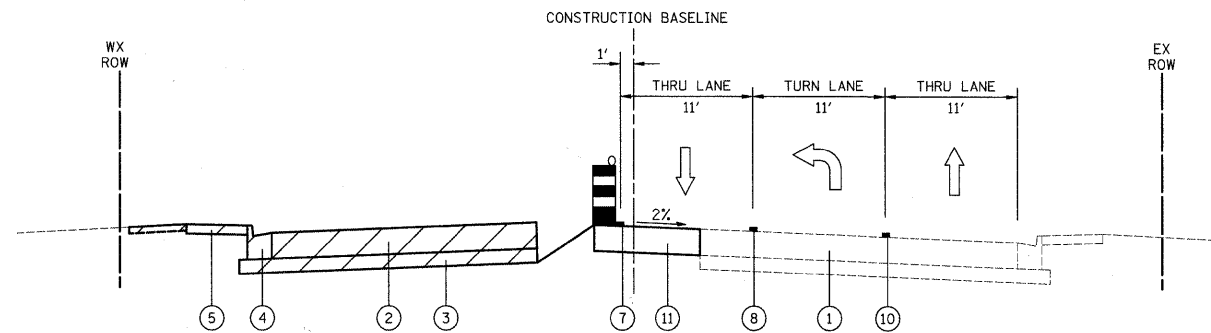


**STAGE 1 TYPICAL SECTION  
PRATT BOULEVARD**  
SECTION A-A

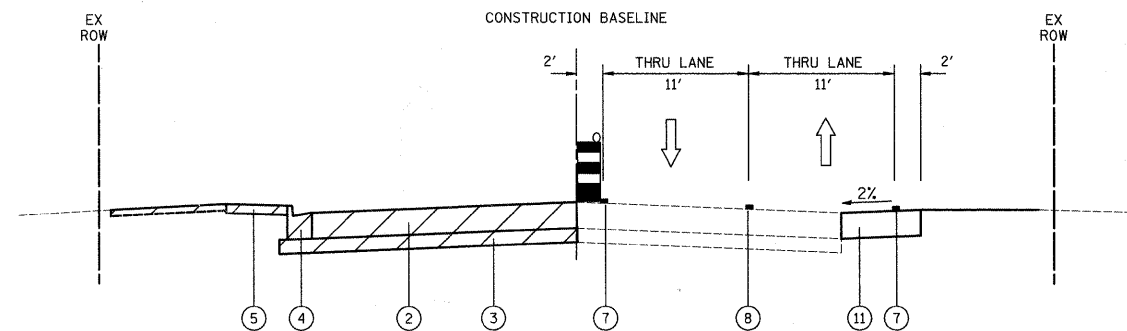


**STAGE 1 TYPICAL SECTION  
PRATT BOULEVARD**  
SECTION B-B

\* SEE MOT PLAN VIEW FOR LIMITS OF CURB AND GUTTER TO BE CONSTRUCTED DURING STAGE 1



**STAGE 2 TYPICAL SECTION  
PRATT BOULEVARD**  
SECTION A-A



**STAGE 2 TYPICAL SECTION  
PRATT BOULEVARD**  
SECTION B-B

**LEGEND**

- ① EXISTING PAVEMENT
- ② PROPOSED PCC PAVEMENT
- ③ PROPOSED SUB-BASE GRANULAR MATERIAL
- ④ PROPOSED COMB. CONC. CURB AND GUTTER
- ⑤ PROPOSED PCC SIDEWALK
- ⑥ PROPOSED CONCRETE MEDIAN
- ⑦ LINE 4" (WHITE EDGE LINE)
- ⑧ LINE 4" (DOUBLE YELLOW)
- ⑨ LINE 4" (WHITE- 10' DASH - 30' SKIP)
- ⑩ LINE 6" (WHITE LANE LINE, SOLID OR DOTTED)
- ⑪ TEMPORARY PAVEMENT
- ⑫ LINE 4" (YELLOW EDGE LINE)

CONSTRUCTION ZONE

TRAFFIC FLOW

DRUMS WITH MONO DIRECTIONAL STEADY BURN LIGHT

FILE NAME = ...\\oad\sheet\2363_MOT.typ_01.dgn	USER NAME = jet	DESIGNED - BLG	REVISED -
		DRAWN - BLG	REVISED -
		CHECKED - DJK	REVISED -
		DATE - 10-22-10	REVISED -

**STATE OF ILLINOIS  
DEPARTMENT OF TRANSPORTATION**

**IL ROUTE 83 (BUSSE ROAD) AND PRATT BOULEVARD  
MAINTENANCE OF TRAFFIC TYPICAL SECTIONS**

SCALE: N.T.S. SHEET NO. 1 OF 2 SHEETS

F.A.P. RTE. 344	SECTION 09-00057-00-CH	COUNTY COOK	TOTAL SHEETS 103	SHEET NO. 24
<b>CONTRACT NO. 63523</b>				
<small>FED. ROAD DIST. NO. 1 ILLINOIS FED. AID PROJECT M-9003660</small>				