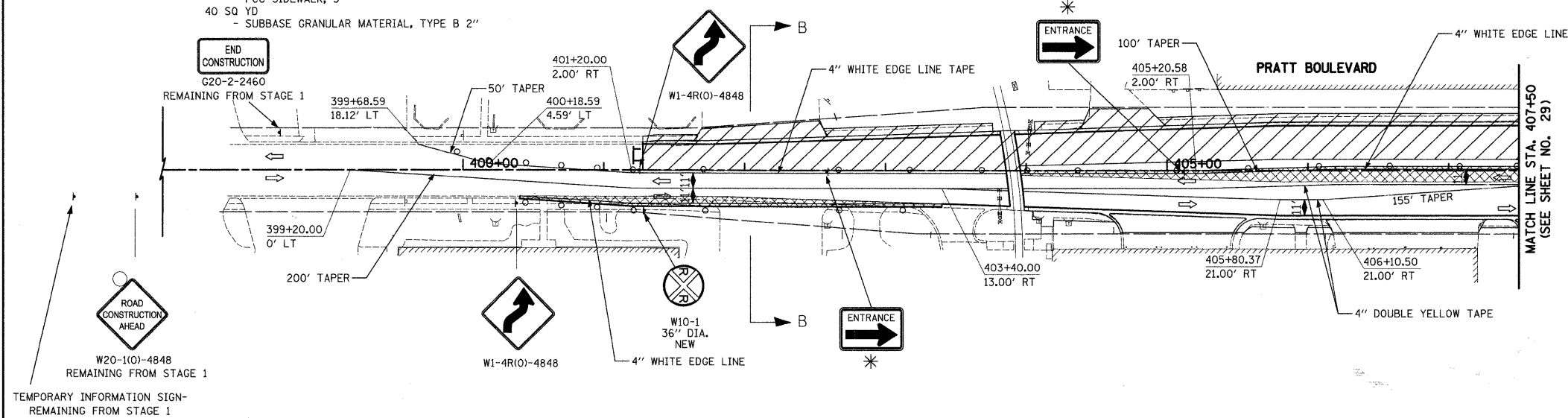


REMOVAL AND REPLACEMENT INCLUDED WEST OF RECONSTRUCTION LIMIT:  
 87 FT  
 - CURB AND GUTTER REMOVAL  
 - COMBINATION CONCRETE CURB AND GUTTER TYPE B-6.12  
 25 SQ YD  
 - SUBBASE GRANULAR MATERIAL, TYPE B 6"  
 364 SQ FT  
 - SIDEWALK REMOVAL  
 - PCC SIDEWALK, 5"  
 40 SQ YD  
 - SUBBASE GRANULAR MATERIAL, TYPE B 2"



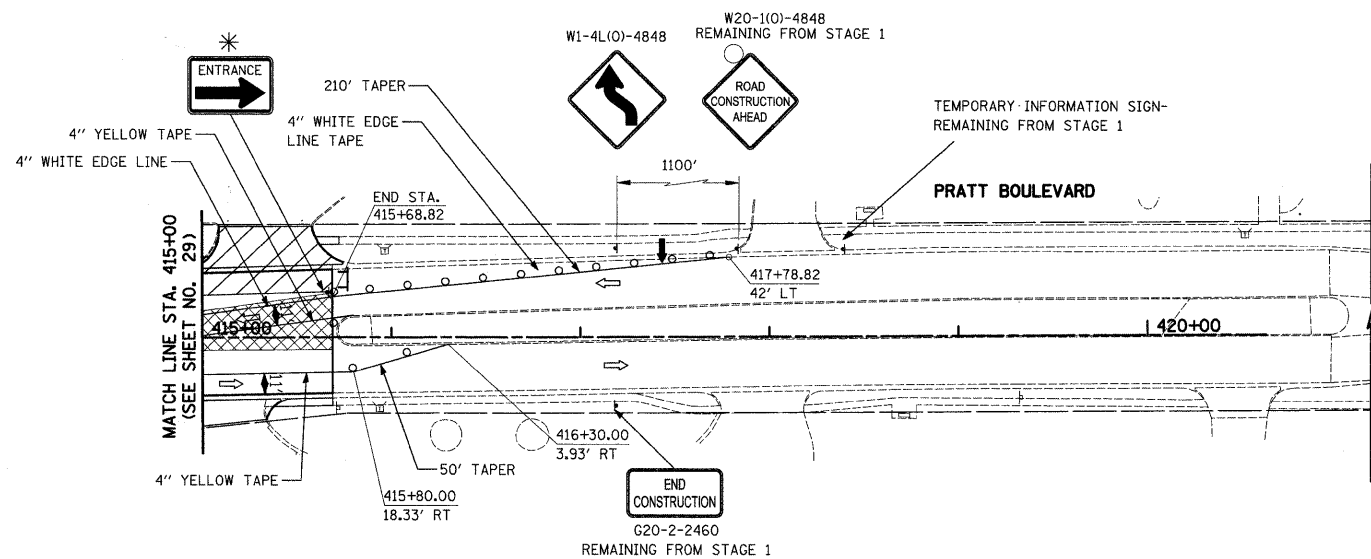
DATE	
BY	
REGISTERED	
PLOTTED	
ALIGNMENT CHECKED	
GRADES CHECKED	
NOTE BOOK	
NO.	
ADD FILE NAME	

DATE	
BY	
REGISTERED	
PLOTTED	
GRADES CHECKED	
PLAN NOTED	
STRUCTURE NOTATIONS CHECKED	
NOTE BOOK	
NO.	



W20-1(O)-4848  
REMAINING FROM STAGE 1

TEMPORARY INFORMATION SIGN-  
REMAINING FROM STAGE 1

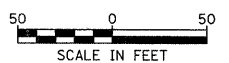


**LEGEND**

- TYPE II DRUM
- ⇨ DIRECTION OF TRAFFIC
- ⊥ TEMPORARY TRAFFIC SIGN ON PERMANENT SUPPORT
- ⊥ TYPE III BARRICADE
- ➔ ARROW BOARD
- ▨ WORK ZONE
- ▩ TEMPORARY PAVEMENT

**NOTE:**

1. ALL TAPE PAVEMENT MARKINGS SHALL BE PAID FOR AS "WET TEMPORARY PAVEMENT MARKING TAPE, TYPE III".
  2. ADDITIONAL SIGNS WILL BE REQUIRED FOR LANE CLOSURES WHICH ARE NOT SHOWN ON THE PLANS BUT WILL BE REQUIRED AS PER I.D.O.T. STANDARD 701701.
- \* SEE SHEET NO. 80 FOR SIGN DETAILS.



FILE NAME =  
...oad\sheet\2363\_MDT\_02\_02.dgn

USER NAME = k+k  
 PLOT SCALE = 50.0000' / IN.  
 PLOT DATE = 10/22/2010

DESIGNED - BLG  
 DRAWN - BLG  
 CHECKED - DJK  
 DATE - 10-22-10

REVISED -  
 REVISED -  
 REVISED -  
 REVISED -

**STATE OF ILLINOIS  
DEPARTMENT OF TRANSPORTATION**

**IL ROUTE 83 (BUSSE ROAD) AND PRATT BOULEVARD  
MAINTENANCE OF TRAFFIC - STAGE 2**

SCALE: 1" = 50' SHEET NO. 2 OF 2 SHEETS

F.A.P. RTE.	SECTION	COUNTY	TOTAL SHEETS	SHEET NO.
334	09-00057-00-CH	COOK	103	30
<b>CONTRACT NO. 63523</b>				
<small>FED. ROAD DIST. NO. 1   ILLINOIS FED. AID PROJECT M-9003(660)</small>				