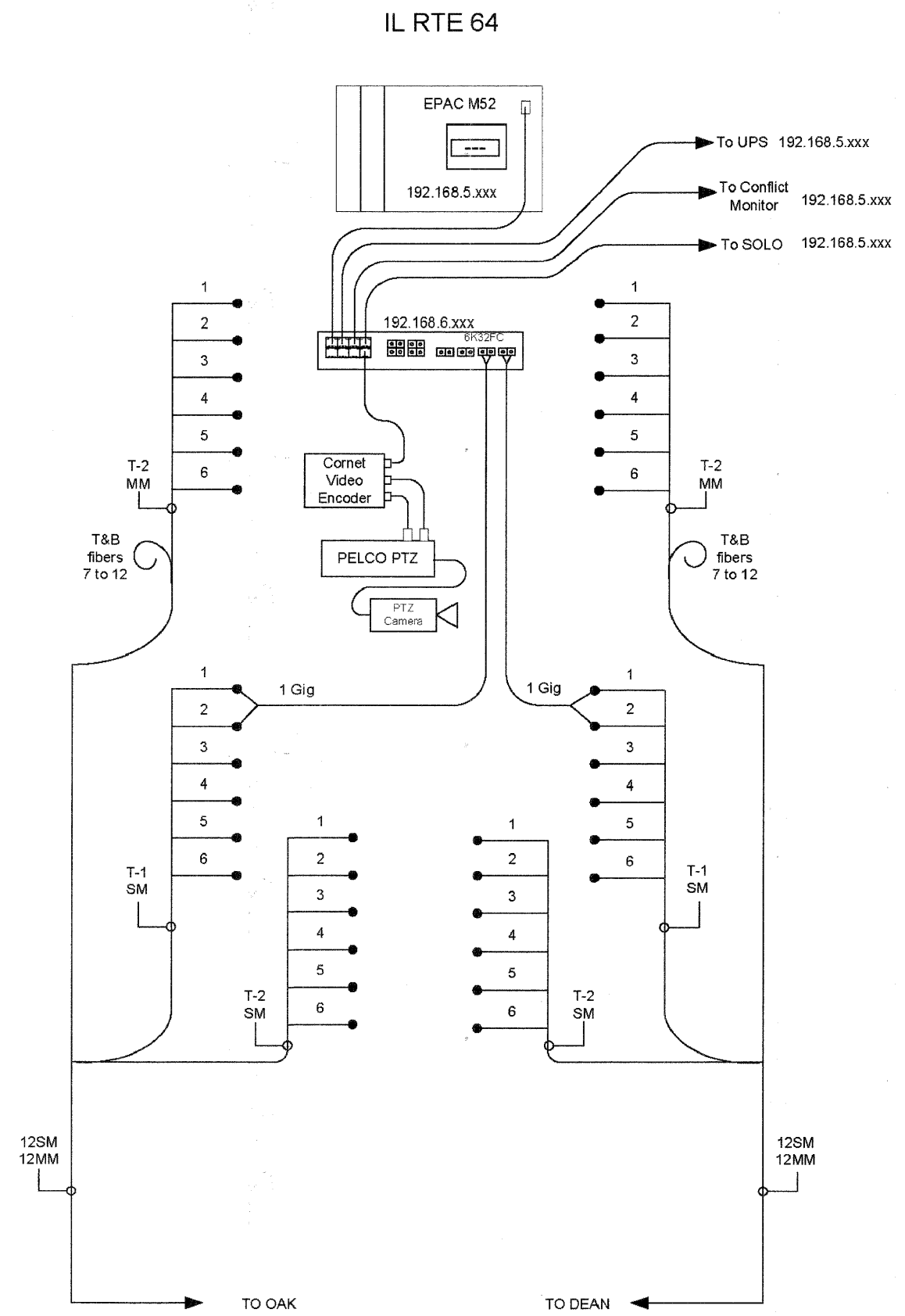
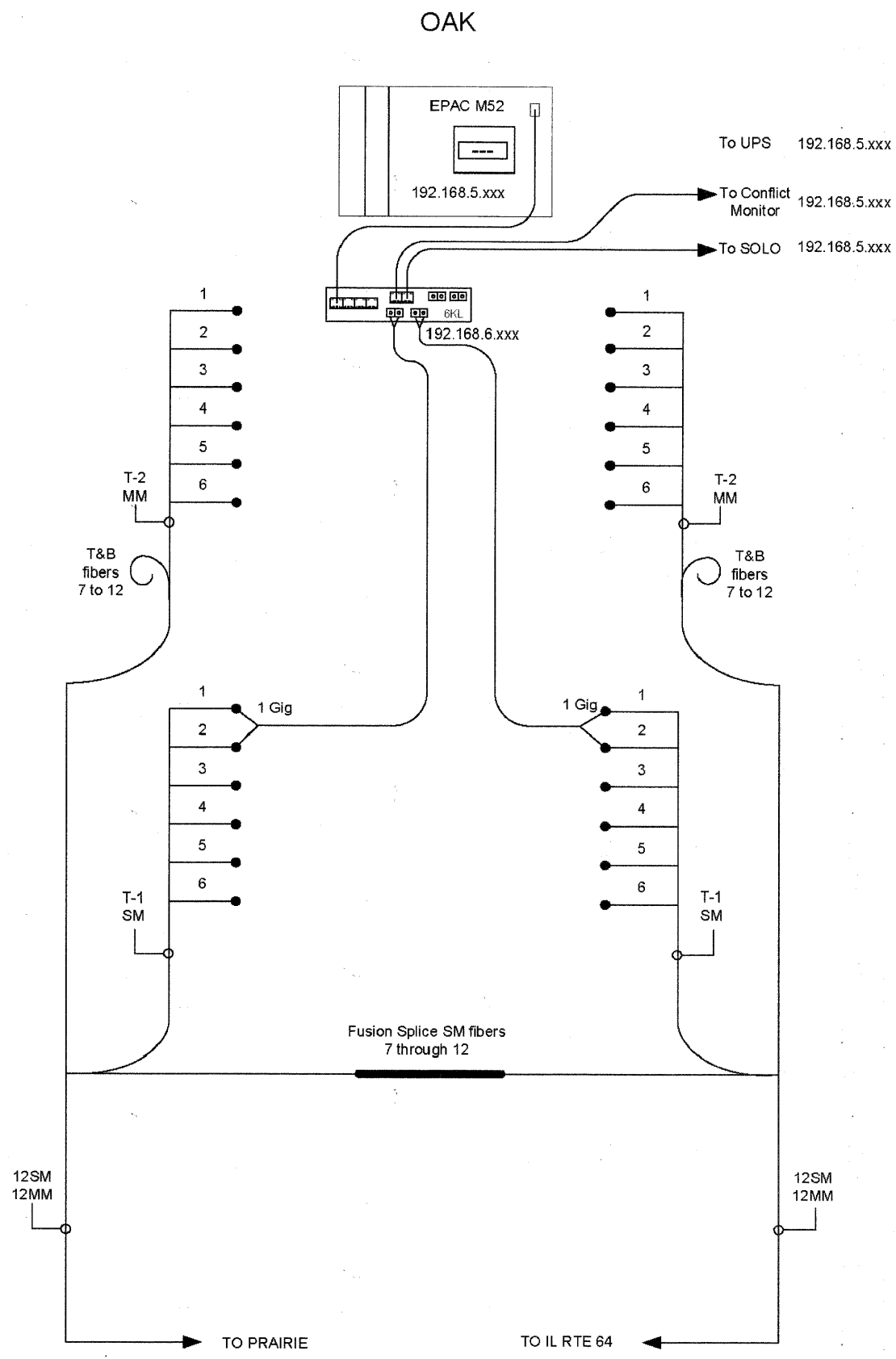


PROFILE SURVEYED PLOTTED CHECKED
 NOTE BOOK GRADES CHECKED
 STRUCTURE NOTATIONS OK'D
 NO. DATE BY
 PLAN SURVEYED PLOTTED CHECKED
 NOTE BOOK GRADES CHECKED
 STRUCTURE NOTATIONS OK'D
 NO. DATE BY
CHRISTOPHER B. BURKE ENGINEERING LTD.
 9575 West Higgins Road, Suite 600
 Rosemont, Illinois 60018
 (847) 823-0500



FILE NAME = N:\kenecounty\080673\Traffic\086_DET_08 Fiber Splice Diagram	USER NAME = FPACIONE	DESIGNED - ABR	REVISED -	STATE OF ILLINOIS DEPARTMENT OF TRANSPORTATION	FIBER SPLICING DIAGRAM OAK - IL RTE 64	F.A.P. RTE. 336	SECTION 09-00237-02-TL	COUNTY KANE	TOTAL SHEETS 100	SHEET NO. 86	
PLOT SCALE = NOT TO SCALE	CHECKED - MJT	REVISIED -	REVISIED -			SCALE: SHEET NO. OF SHEETS STA. -- TO STA. --					
PLOT DATE = 11/3/2010	DATE - AUGUST 31, 2010	REVISIED -	REVISIED -			ILLINOIS FED. AID PROJECT CONTRACT NO. 63525					