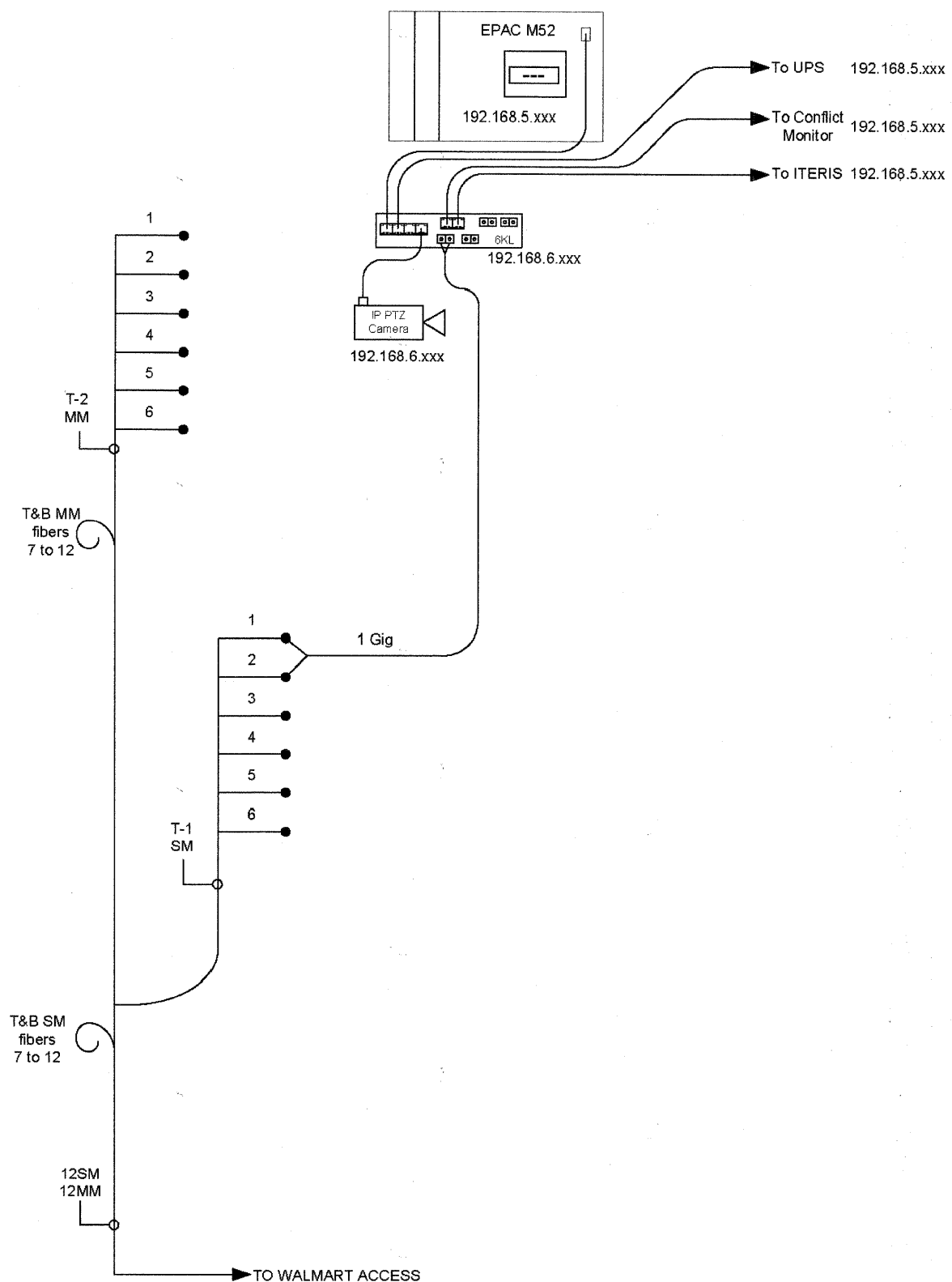
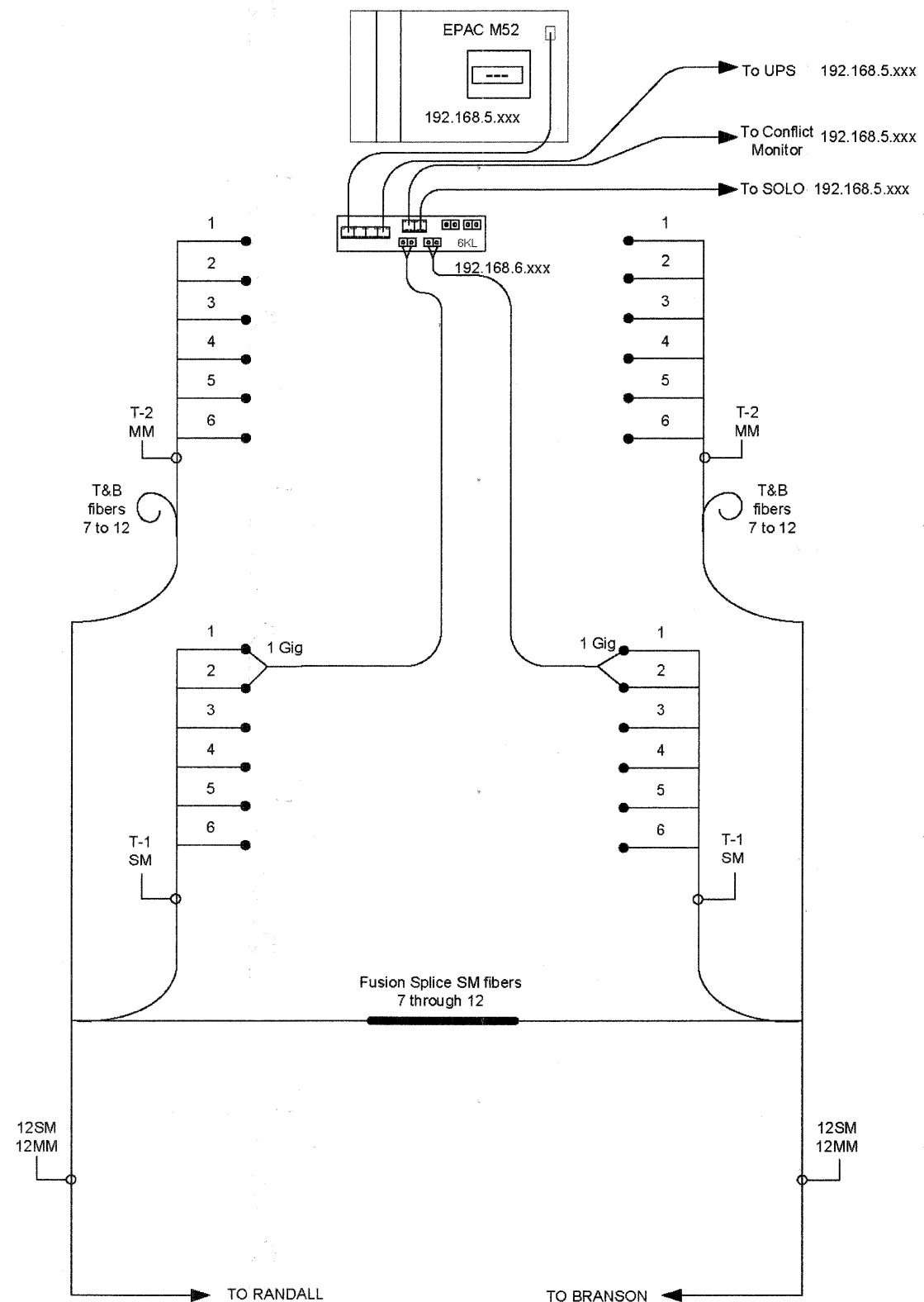


PROFILE SURVEYED PLOTTED CHECKED  
 NOTE BOOK DRAWN BY M.J.T. DATE  
 STRUCTURE NOTATION CHRD  
 NO. DATE  
 PLAN SURVEYED PLOTTED CHECKED  
 NOTE BOOK DRAWN BY M.J.T. DATE  
 ROAD FILE NAME  
 NO. DATE  
**CHRISTOPHER B. BURKE ENGINEERING LTD.**  
 9575 West Higgins Road, Suite 600  
 Rosemont, Illinois 60018  
 (847) 823-0500

**BRANSON/VIKING**



**WALMART ACCESS**



|  |                                     |                        |           |   |  |           |           |         |                 |                        |             |                  |              |
|--|-------------------------------------|------------------------|-----------|---|--|-----------|-----------|---------|-----------------|------------------------|-------------|------------------|--------------|
| FILE NAME = N:\kenecounty\080673\Traffic\0808_DET.10 Fiber | USER NAME = FPACIONE Splice Diagram | DESIGNED - ABR         | REVISED - | <b>STATE OF ILLINOIS<br/>DEPARTMENT OF TRANSPORTATION</b> | <b>FIBER SPLICING DIAGRAM<br/>BRANSON /VIKING - WALMART ACCESS</b> |           |           |         | F.A.P. RTE. 336 | SECTION 09-00237-02-TL | COUNTY KANE | TOTAL SHEETS 100 | SHEET NO. 88 |
| PLOT SCALE = NOT TO SCALE                                  |                                     | CHECKED - MJT          | REVISED - |   | SCALE:   | SHEET NO. | OF SHEETS | STA. -- | TO STA. --      | CONTRACT NO. 63525     |             |                  |              |
| PLOT DATE = 11/3/2010                                      |                                     | DATE - AUGUST 31, 2010 | REVISED - |   | ILLINOIS FED. AID PROJECT  |           |           |         |                 |                        |             |                  |              |
|  |                                     |                        |           |   |  |           |           |         |                 |                        |             |                  |              |