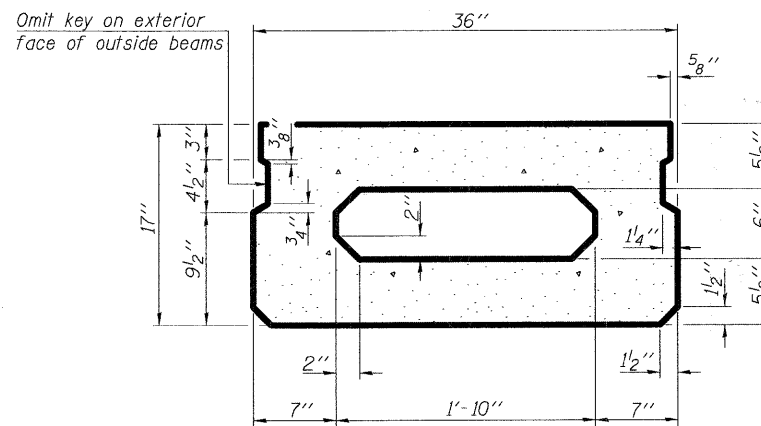
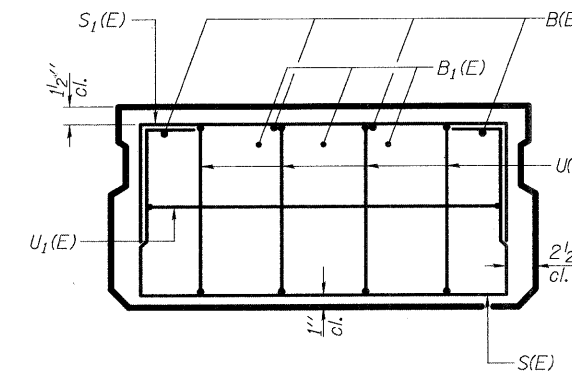


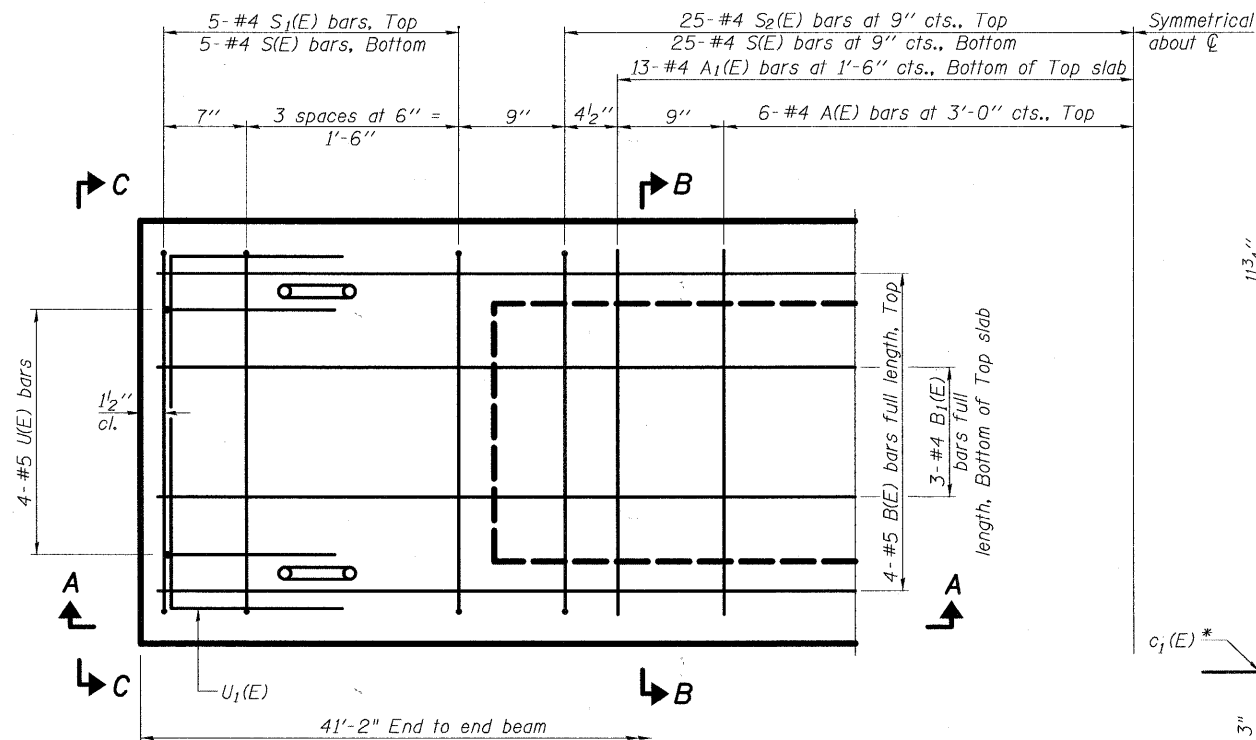
SECTION A-A



SECTION B-B
(Showing dimensions)



VIEW C-C



PLAN VIEW

BAR LIST
ONE BEAM ONLY
(For information only)

Bar	No.	Size	Length	Shape
A(E)	12	#4	2'-7"	
A1(E)	26	#4	2'-10"	
B(E)	4	#5	40'-11"	
B1(E)	3	#4	40'-11"	
S(E)	60	#4	5'-9"	
S1(E)	10	#4	4'-3"	
S2(E)	50	#4	4'-6"	
U(E)	8	#5	3'-8"	
U1(E)	2	#4	5'-0"	

Note: See sheet 5 of 15 for additional details and Bill of Material.

Note: Spacing of S(E) and S2(E) bars may be adjusted up to 4" in the immediate area of the transverse tie diaphragms to miss the block outs for the transverse ties.

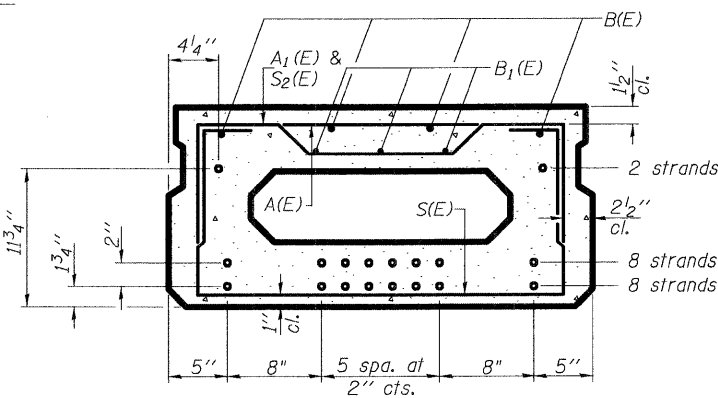
MINIMUM BAR LAP

#4 bar = 2'-0"
#5 bar = 2'-6"

ADDITIONAL BARS *
(For information only)

Beam	Bar	No.	Size	Length	Shape
Beam 1	c2(E)	42	#5	2'-9"	L
Beam 3	c1(E)	42	#5	2'-4"	L
Beam 12	d1(E)	46	#5	5'-10"	L
Beam 15	d2(E)	42	#5	4'-7"	L

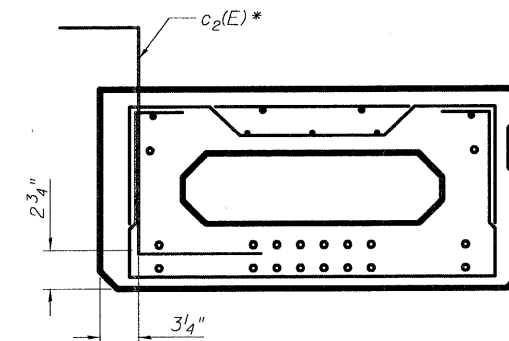
Symmetrical about C



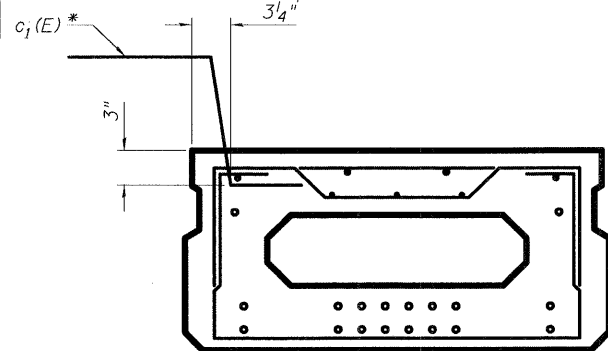
SECTION B-B

(Showing reinforcement and permissible strand locations)

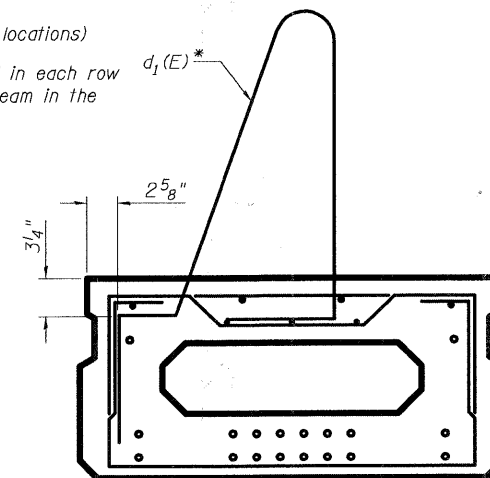
Note: Place the number of strands specified in each row symmetrically about the centerline of beam in the permissible strand locations shown.



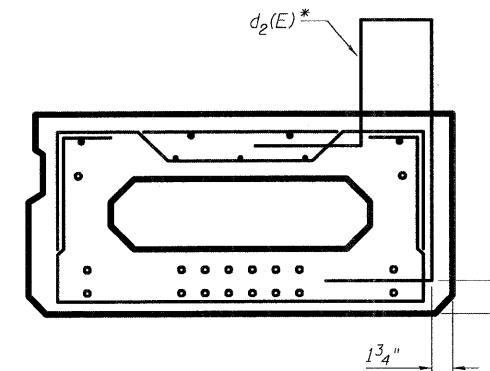
BEAM 1



BEAM 3



BEAM 12



BEAM 15

* These bars are additional bars required for Beams 1, 3, 12, and 15 as shown above, which is why they are not included in the "Bar List One Beam Only" table Above. The bars are to be included in the cost of "Precast Prestressed Concrete Deck Beams (17" depth)".



FILE NAME = 0493040-63531-004-BeamDetails1.dgn

USER NAME = 32020007

DESIGNED - KO

REVISD -

CHECKED - WPM

REVISD -

DRAWN - KO

REVISD -

CHECKED - WPM

REVISD -

PLOT SCALE = 2.0000 / IN.

PLOT DATE = 10/25/2010

STATE OF ILLINOIS
DEPARTMENT OF TRANSPORTATION

17" x 36" PPC DECK BEAM DETAILS 1
STRUCTURE NO. 049-3040 (NB)

SHEET NO. 4 OF 15 SHEETS

F.A.U. RTE.	SECTION	COUNTY	TOTAL SHEETS	SHEET NO.
2626	05-00193-04-BR	LAKE	36	15
CONTRACT NO. 63531			ILLINOIS FED. AID PROJECT	