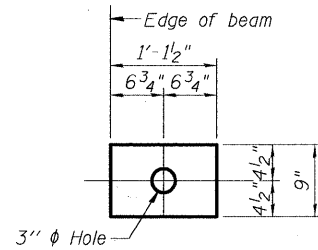


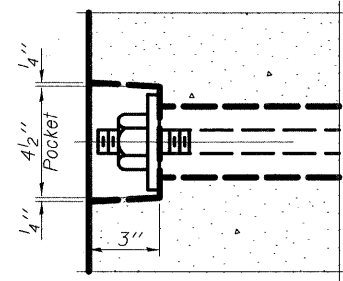
FABRIC BEARING PAD
(Interior)



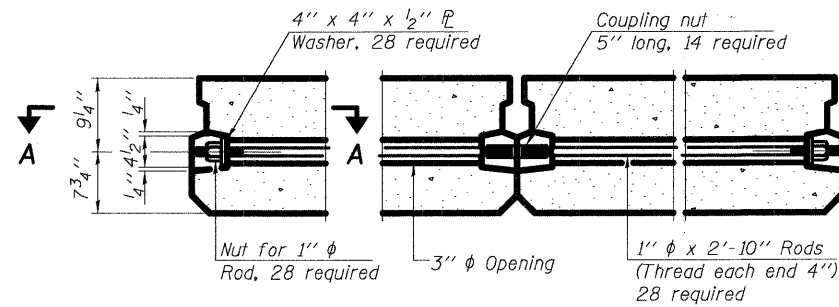
FABRIC BEARING PAD
(Exterior)

Notes:
All bearing pads shall be 1" thick.

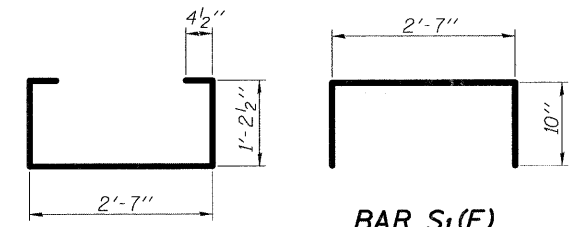
FIXED



SECTION A-A

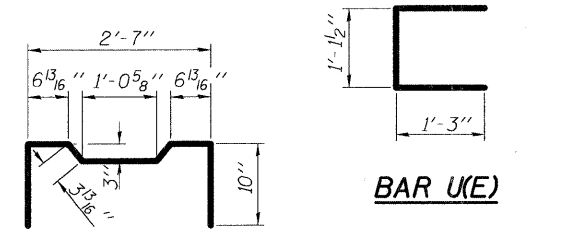


TYPICAL TRANSVERSE TIE ASSEMBLY



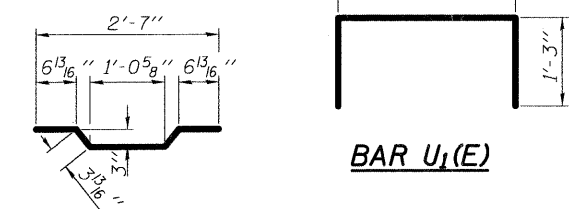
BAR S(E)

BAR S₁(E)



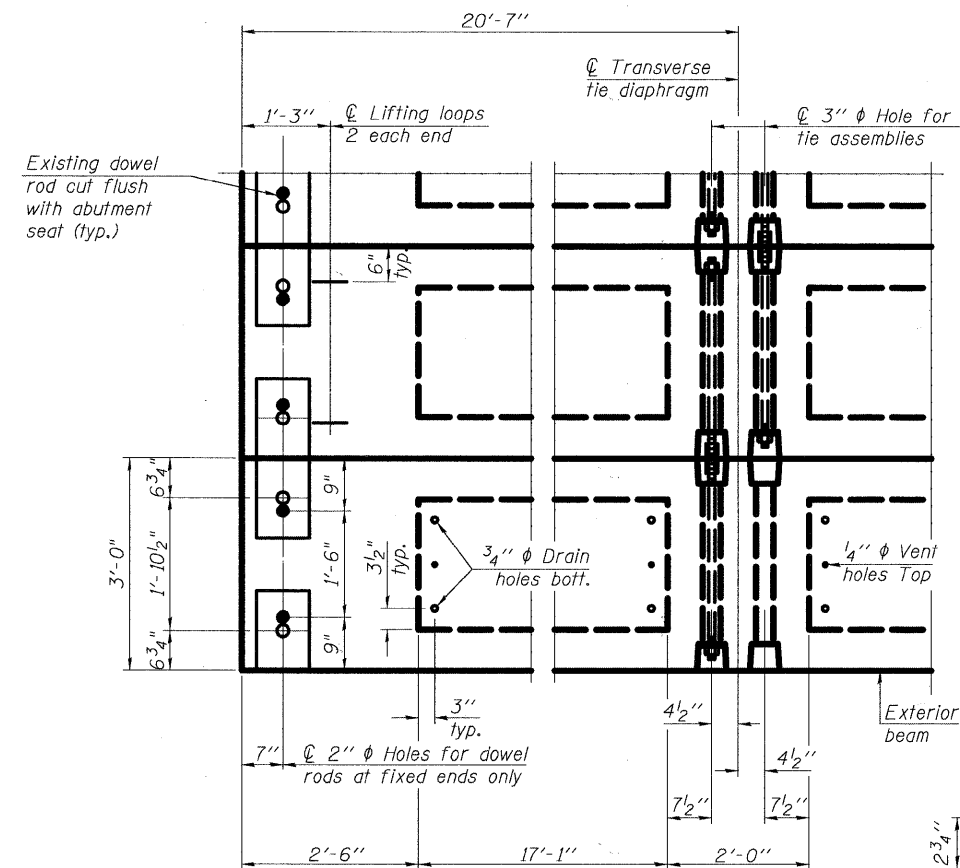
BAR S₂(E)

BAR U(E)

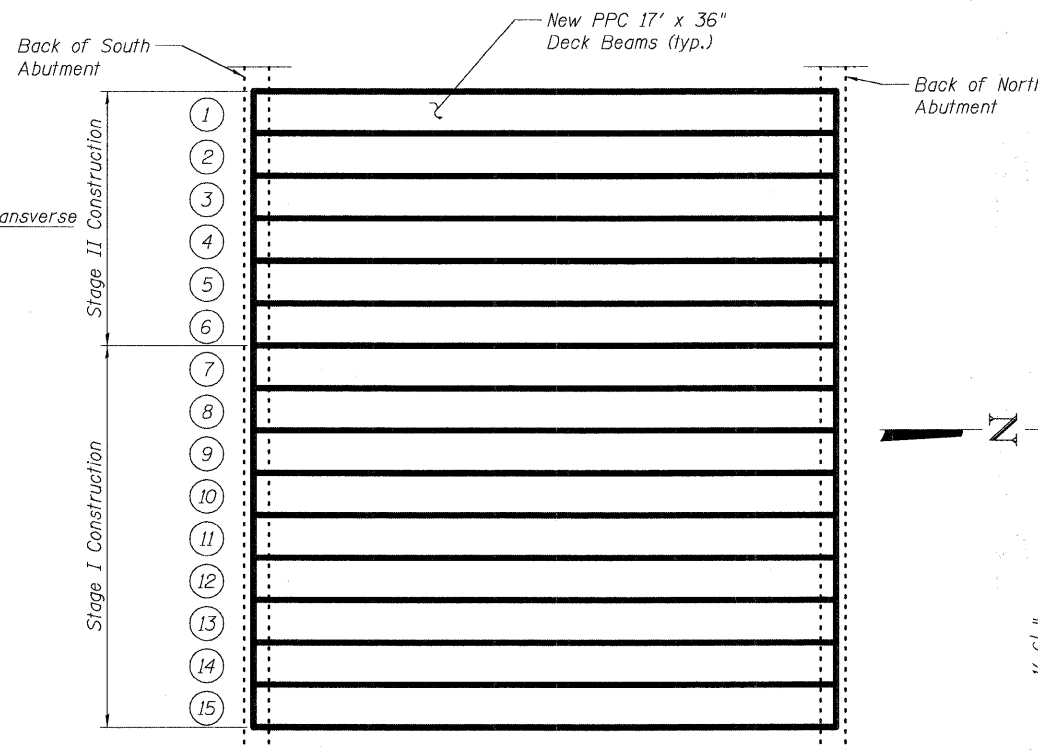


BAR A₁(E)

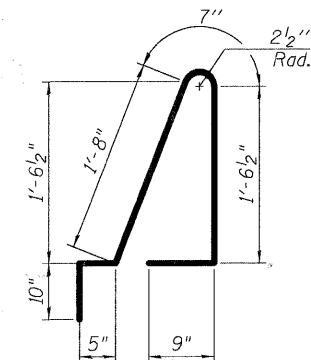
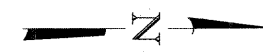
BAR U₁(E)



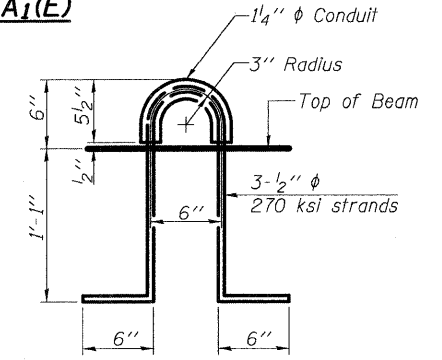
PLAN VIEW



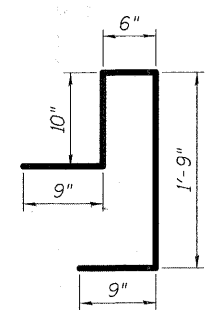
FRAMING PLAN



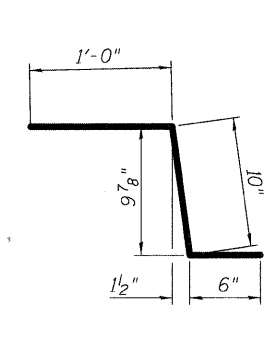
BAR d₁(E)*



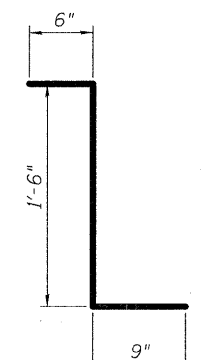
LIFTING LOOP DETAIL



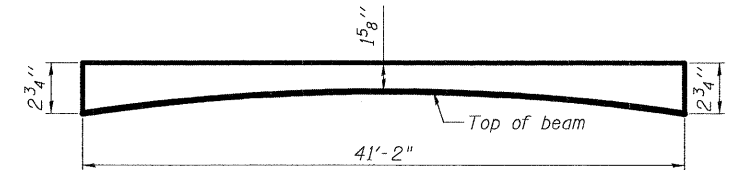
BAR d₂(E)*



BAR c₁(E)*



BAR c₂(E)*



ANTICIPATED CONCRETE WEARING SURFACE PROFILE
(For information only)

NOTES

Prestressing steel shall be uncoated high strength, low relaxation 7-wire strand, Grade 270. The nominal diameter shall be 1/2" and the nominal cross-sectional area shall be 0.153 sq. in. The 1" rods in the transverse tie assembly shall be tightened to a snug fit and the threads set. Pockets on exterior faces of bridge shall be filled with grout after transverse tie assembly is in place. Reinforcement bars shall conform to ASTM A 706, Grade 60. (See Special Provisions). Two 1/8" fabric adjusting shims of the dimensions of the exterior bearing pad shall be provided for each bearing pad location. A minimum 2 1/2" diameter lifting pin shall be used to engage the lifting loops during handling. Corrosion Inhibitor, per Article 1020.05(b)(12) and 1021.06 of the Standard Specifications, shall be used in the concrete for precast prestressed concrete deck beams. Compressive strength of prestressed concrete, f'c, shall be 6000 psi. Compressive strength of prestressed concrete at release, f'cl, shall be 5000 psi.

BILL OF MATERIAL

Precast Prestressed Conc. Deck Bms. (17" depth)	Sq. Ft.	1853
---	---------	------

