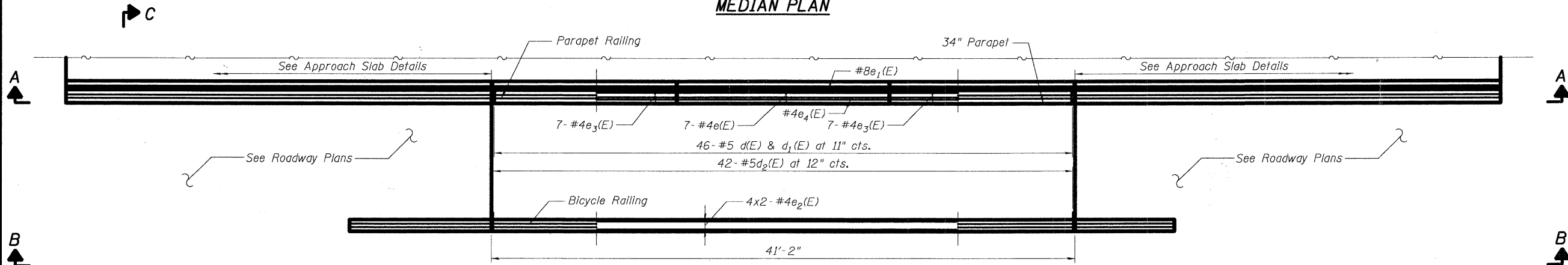
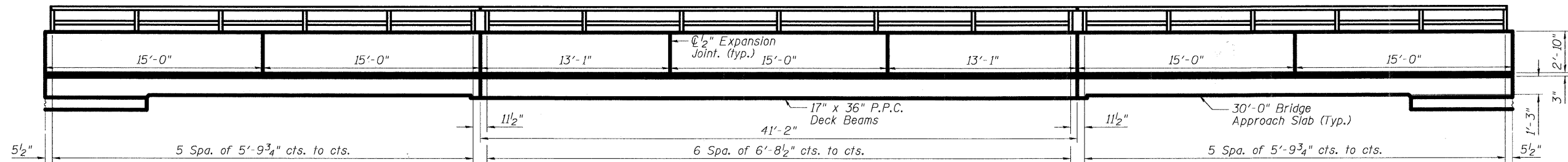


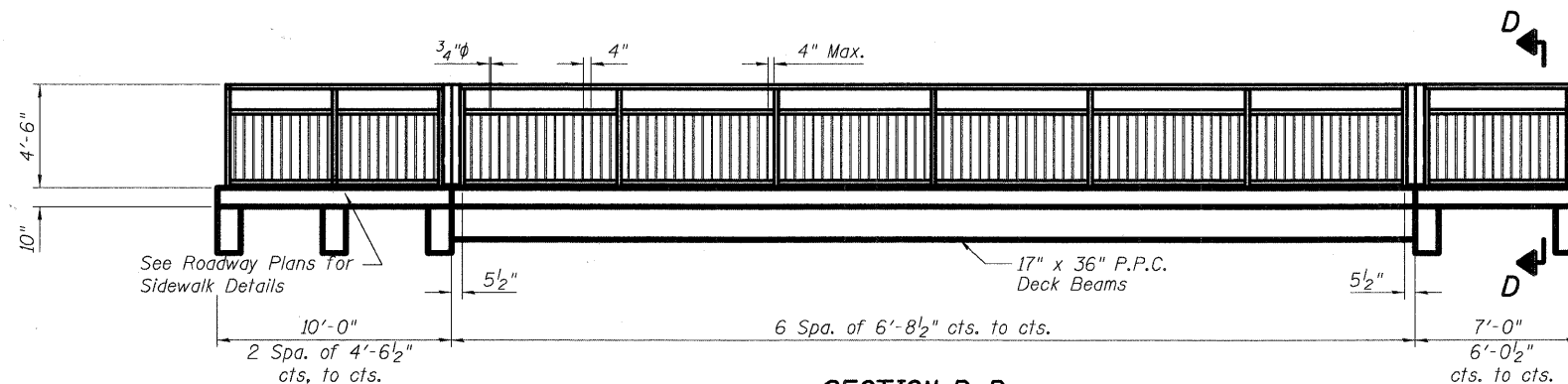
MEDIAN PLAN



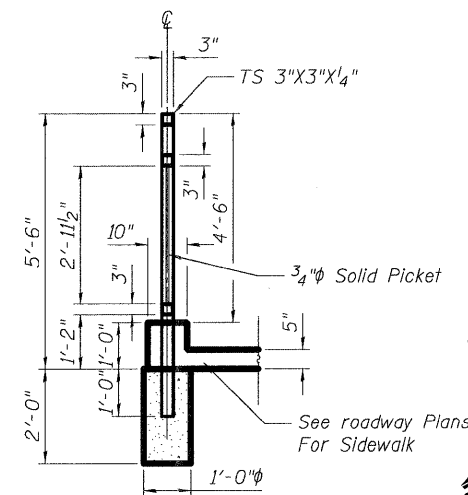
BIKEWAY PLAN



SECTION A-A



SECTION B-B



SECTION D-D

Note: See Sheet No. 13 of 15 for Parapet Details



FILE NAME = 0493040-63531-007-Railing1.dgn	USER NAME = 328288787	DESIGNED - KO	REVISD -	STATE OF ILLINOIS DEPARTMENT OF TRANSPORTATION	BIKEWAY RAILING DETAILS 1 STRUCTURE NO. 049-3040 (NB)	F.A.J. RTE. 2626	SECTION 05-00193-04-BR	COUNTY LAKE	TOTAL SHEETS 36	SHEET NO. 18	
PLOT SCALE = 2.0000' / IN.	DRAWN - KO	CHECKED - WPM	REVISD -			SHEET NO. 7 OF 15 SHEETS					
PLOT DATE = 10/25/2010	DRAWN - KO	CHECKED - WPM	REVISD -			CONTRACT NO. 63531					
						ILLINOIS FED. AID PROJECT					