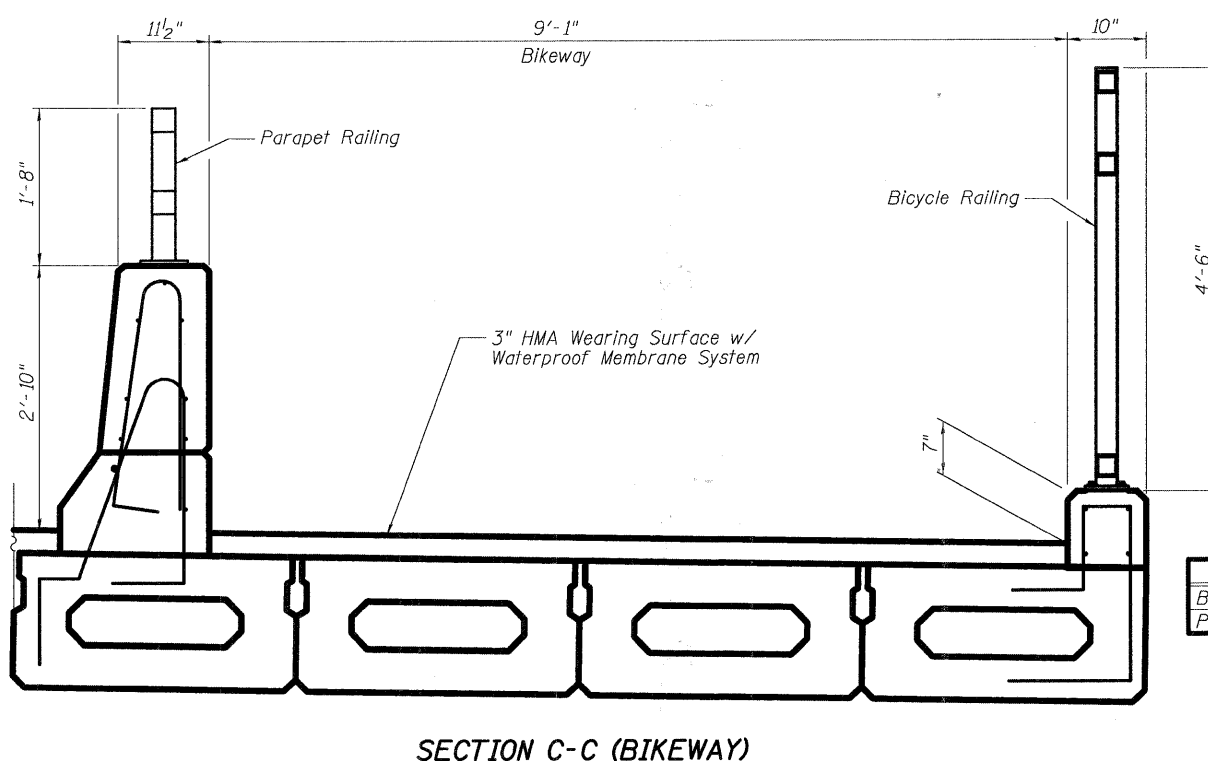
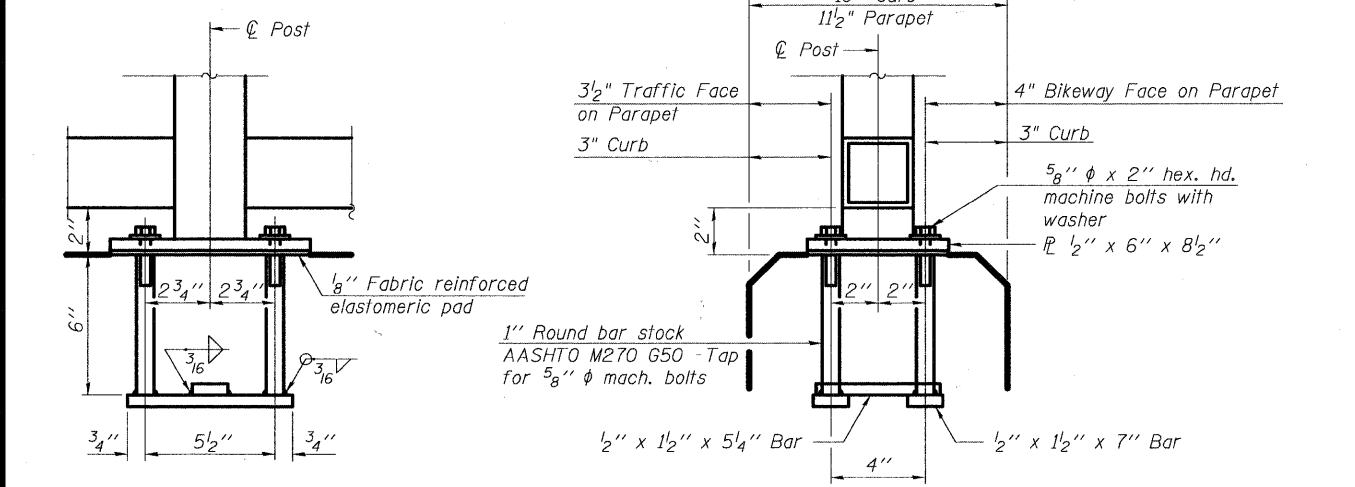
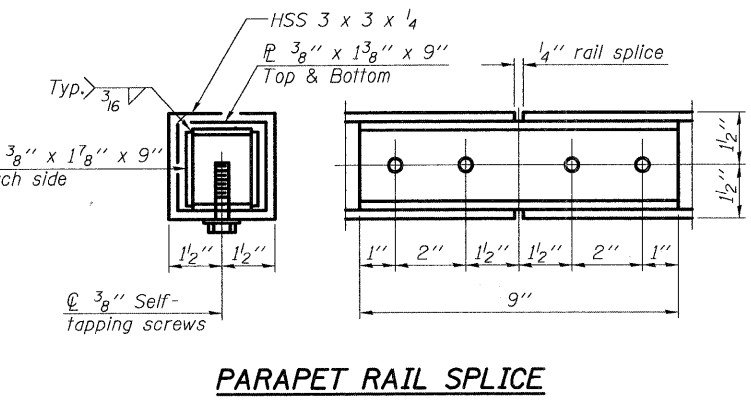
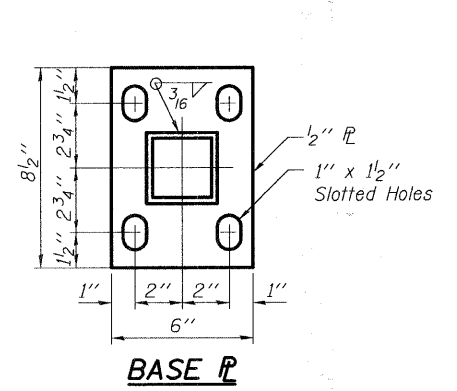
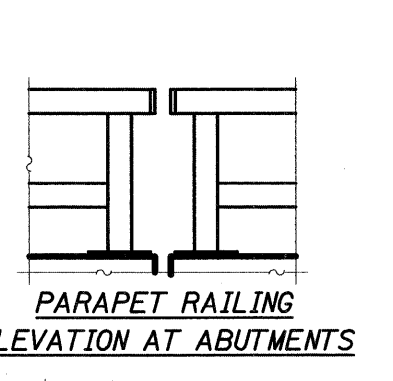
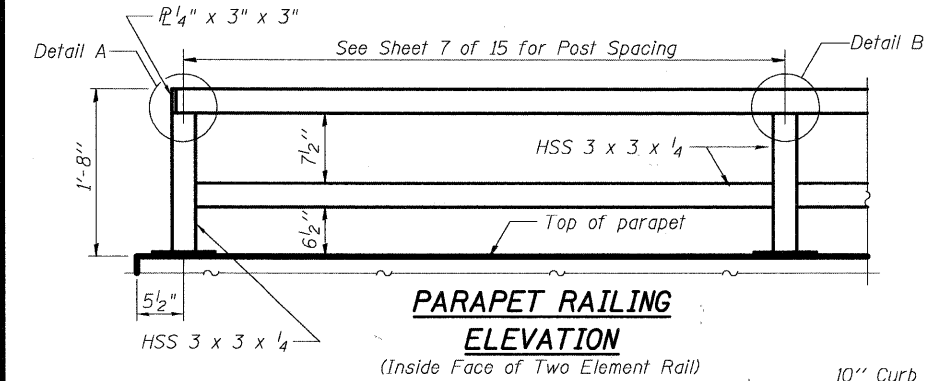


- Parapet Railing Notes:**
- All steel rail elements shall be galvanized according to Article 509.05 of the Standard Specifications.
- Bicycle Railing Notes:**
- Bicycle railings shall be according to section 509 of the IDOT Standard Specifications, except as noted.
 - All tubing will be aluminum alloy 6063-T52.
 - All dimensions are in feet and inches except as noted.
 - All posts, railing shall be painted in accordance with section 506 of the IDOT Standard Specifications.
 - All rail will be sandblasted per SSPC-SP6 followed by shop applied primer and top coat as follows:
3.00 MILS DFT TNEMEC 66-Hi build epoxyline epoxy interim coat, then
2.00 MILS DFT TNEMEC 73-Color aliphatic acrylic polyurethane topcoat - black.
 - All bolts, nuts and washers shall be stainless steel.
 - Shop drawings based on individual project plan view locations must be submitted to the resident engineer for approval.



BILL OF MATERIAL

Item	Unit	Quantity
Bicycle Railing	Foot	59
Parapet Railing	Foot	102

