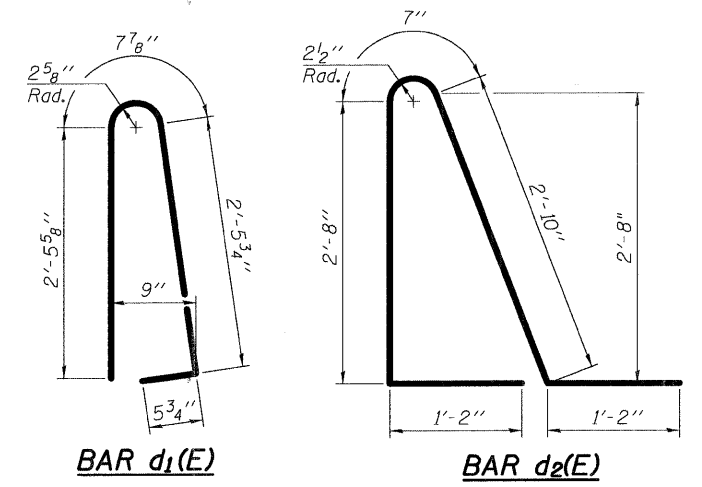
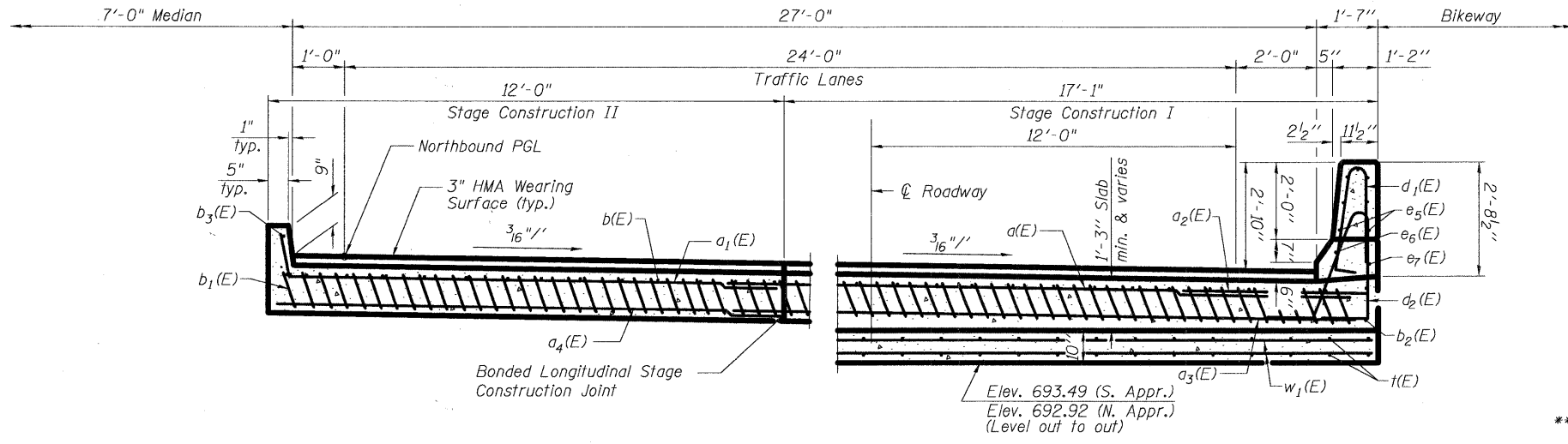


Notes:
 See sheet No. 13 of 15 for Detail A and View B-B.
 Approach slab and parapet concrete shall be paid for as Concrete Superstructure.
 Approach footing concrete shall be paid for as Concrete Structures.
 Reinforcement shall be paid for as Reinforcement Bars, Epoxy Coated.
 The approach footing maximum applied service bearing pressure (Qmax) = 2.0 ksf.
 Cost of excavation for approach footing included with Concrete Structures.
 For additional parapet details, see sheet No. 13 of 15.



* Till #9 b1(E) bars as required to maintain clearance.
 *** Cost included with Concrete Superstructure.

NEAR ABUTMENT

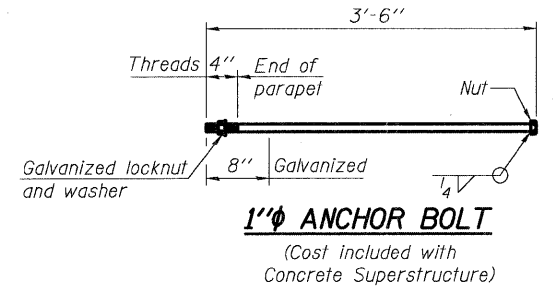
SECTION D-D

(See Plan for dimensions not shown)

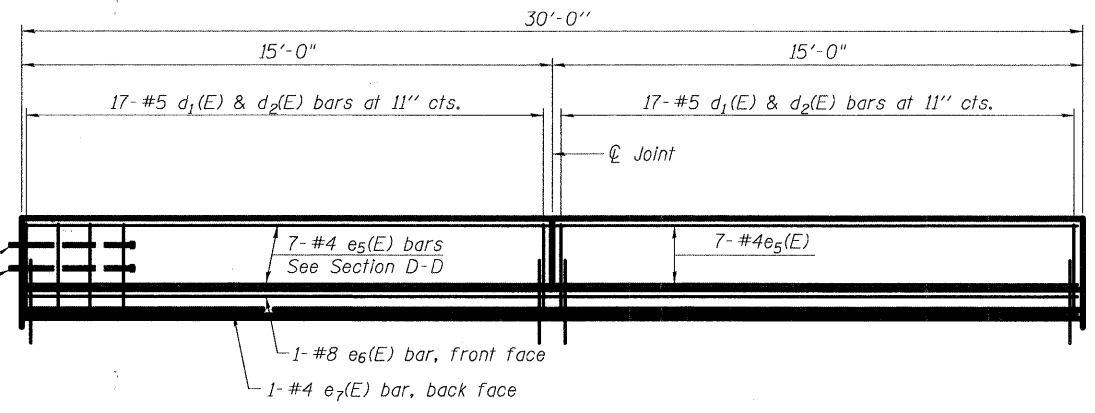
AT APPROACH FOOTING

**TWO APPROACHES
 BILL OF MATERIAL**

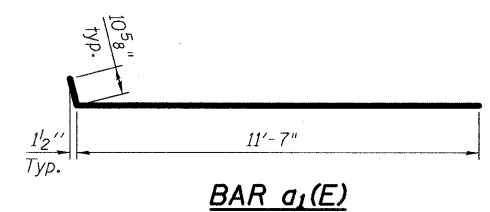
Bar	No.	Size	Length	Shape
a(E)	50	#4	19'-5"	—
a1(E)	50	#4	12'-3"	—
a2(E)	48	#6	6'-6"	—
a3(E)	92	#5	19'-5"	—
a4(E)	92	#5	11'-10"	—
b(E)	50	#4	29'-8"	—
b1(E)	136	#9	29'-9"	—
b2(E)	2	#4	29'-8"	—
b3(E)	2	#4	29'-8"	—
d1(E)	68	#5	6'-1"	⌒
d2(E)	68	#5	8'-5"	⌒
e5(E)	28	#4	14'-8"	—
e6(E)	2	#8	29'-8"	—
e7(E)	2	#4	29'-8"	—
t(E)	124	#4	9'-8"	—
w(E)	80	#5	19'-5"	—
w1(E)	80	#5	11'-9"	—
Concrete Superstructure		Cu. Yd.	86.9	
Concrete Structures		Cu. Yd.	17.7	
Reinforcement Bars, Epoxy Coated		Pound	25440	



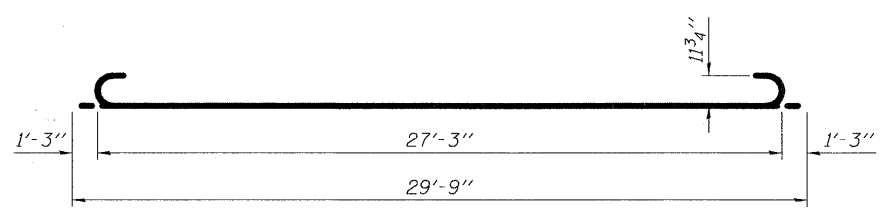
1' φ Anchor bolts at Type 5 terminal connections only See View B-B



VIEW E-E



BAR a1(E)



BAR b1(E)

