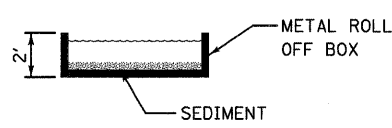
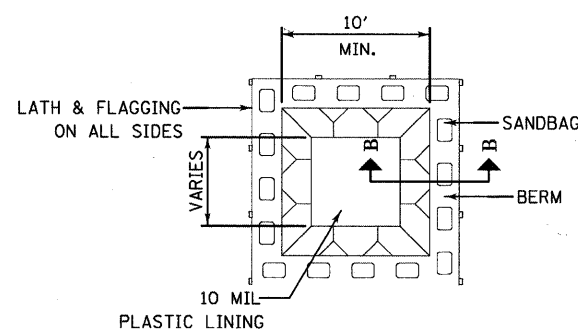


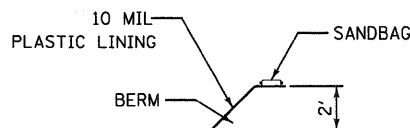
PLAN VIEW PREFAB PORTABLE WASHOUT



SECTION A-A



PLAN VIEW BELOW GRADE



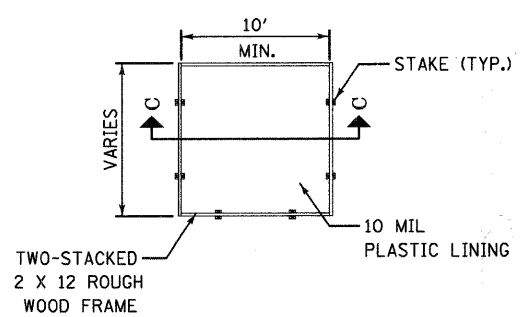
SECTION B-B

NOT TO SCALE

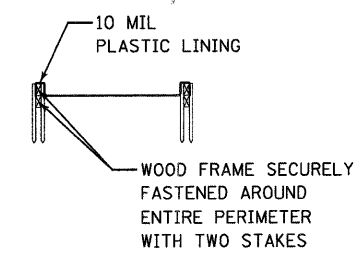
- NOTES:
1. ACTUAL LAYOUT DETERMINED IN FIELD.
 2. OTHER WASHOUT DESIGNS MAY BE USED IF APPROVED BY THE ENGINEER.
 3. THE CONCRETE WASHOUT SIGN SHALL BE INSTALLED WITHIN 30 FEET OF THE TEMPORARY CONCRETE WASHOUT FACILITY.

REVISIONS	DATE	APPROVED BY: MGZ	DATE: March 17, 2008

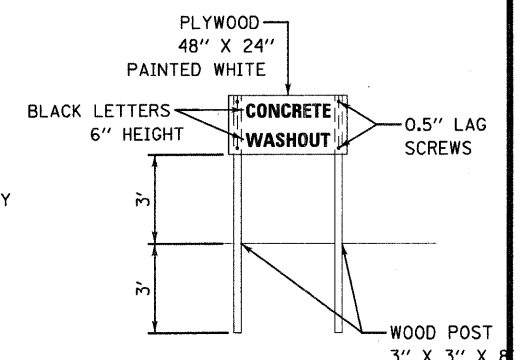
CONCRETE WASHOUT FACILITIES
SHEET 1 OF 2



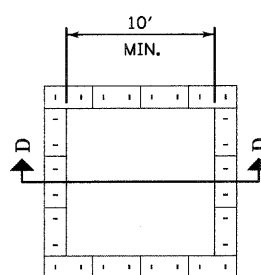
PLAN VIEW ABOVE GRADE



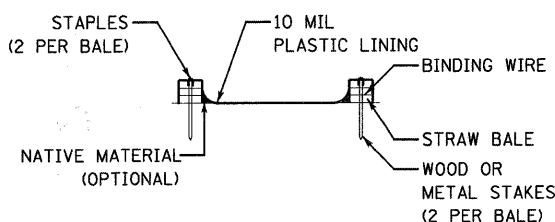
SECTION C-C



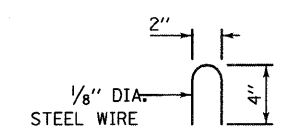
CONCRETE WASHOUT SIGN DETAIL (OR EQUIVALENT)



PLAN VIEW ABOVE GRADE WITH STRAW BALES



SECTION D-D



STAPLE DETAIL

NOT TO SCALE

- NOTES:
1. ACTUAL LAYOUT DETERMINED IN FIELD.
 2. OTHER WASHOUT DESIGNS MAY BE USED IF APPROVED BY THE ENGINEER.
 3. THE CONCRETE WASHOUT SIGN SHALL BE INSTALLED WITHIN 30 FEET OF THE TEMPORARY CONCRETE WASHOUT FACILITY.

REVISIONS	DATE	APPROVED BY: MGZ	DATE: March 17, 2008

CONCRETE WASHOUT FACILITIES
SHEET 2 OF 2