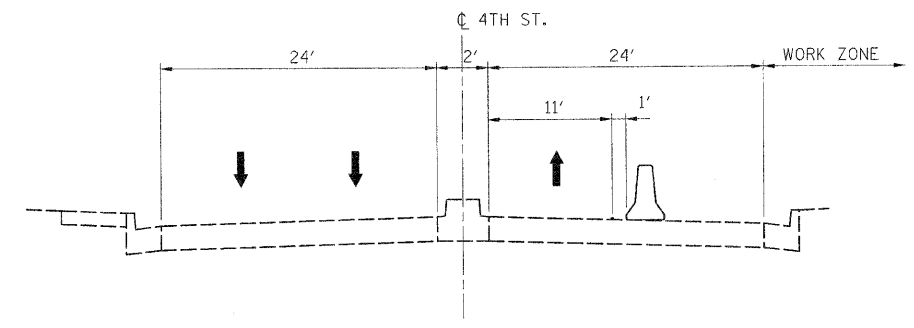
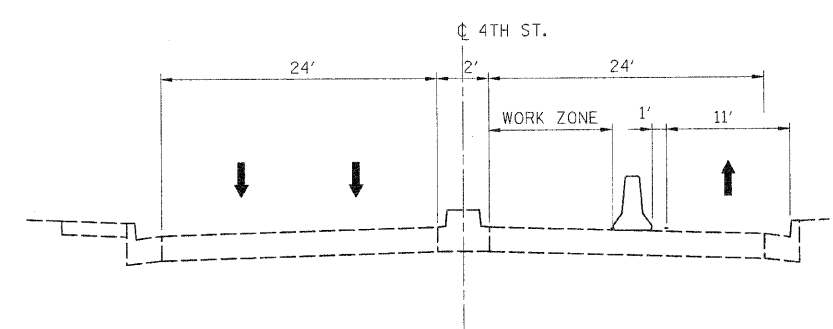


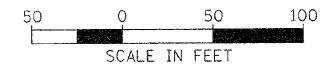
4TH ST. STAGE 1A & 2A TRAFFIC CONTROL



4TH ST. STAGE 1B & 2B TRAFFIC CONTROL



4TH ST. STAGE 2C TRAFFIC CONTROL



LEGEND

- ARROW BOARD
- WORK AREA
- SIDEWALK CLOSURE SIGN
- DRUM, CONE, OR BARRICADE
- FLEXIBLE DELINEATOR
- TYPE III BARRICADE WITH FLASHING LIGHTS
- TEMPORARY CONCRETE BARRIER

LAYOUT	MWH	08/17/10
DRAWN	MWH	08/17/10
REVIEWED	DPA	07/23/10

FILE NAME =	0264915-sh1-36-1not80.dgn
MODEL NAME =	MOT

USER NAME =	Hussu00411
PLOT SCALE =	50.0000' / 1"
PLOT DATE =	08/24/2010

DESIGNED -	DPA
DRAWN -	MWH
CHECKED -	DPA
DATE -	07/23/10

REVISED -	
REVISED -	
REVISED -	
REVISED -	

**STATE OF ILLINOIS
 DEPARTMENT OF TRANSPORTATION**

**4TH STREET
 STAGING PLANS
 STAGE 1A AND 2A**

SCALE: 1" = 50' SHEET NO. OF SHEETS STA. TO STA.

F.A.I. RTE.	SECTION	COUNTY	TOTAL SHEETS	SHEET NO.
280	81-110-1-HB-1-HB-2-VB-VB-1R	ROCK ISLAND	503	82A
CONTRACT NO. 64815				
FED. ROAD DIST. NO. 7 (ILLINOIS) FED. AID PROJECT 7				