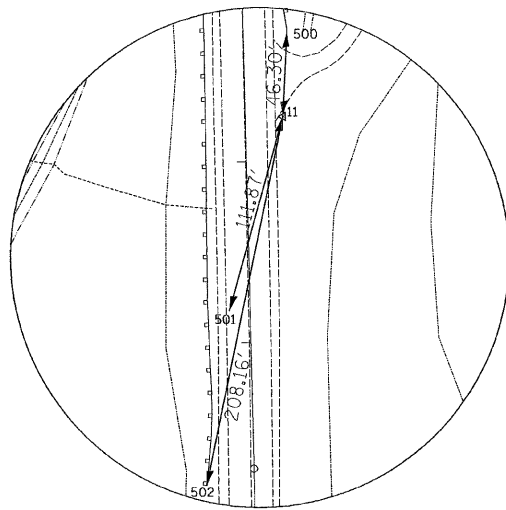
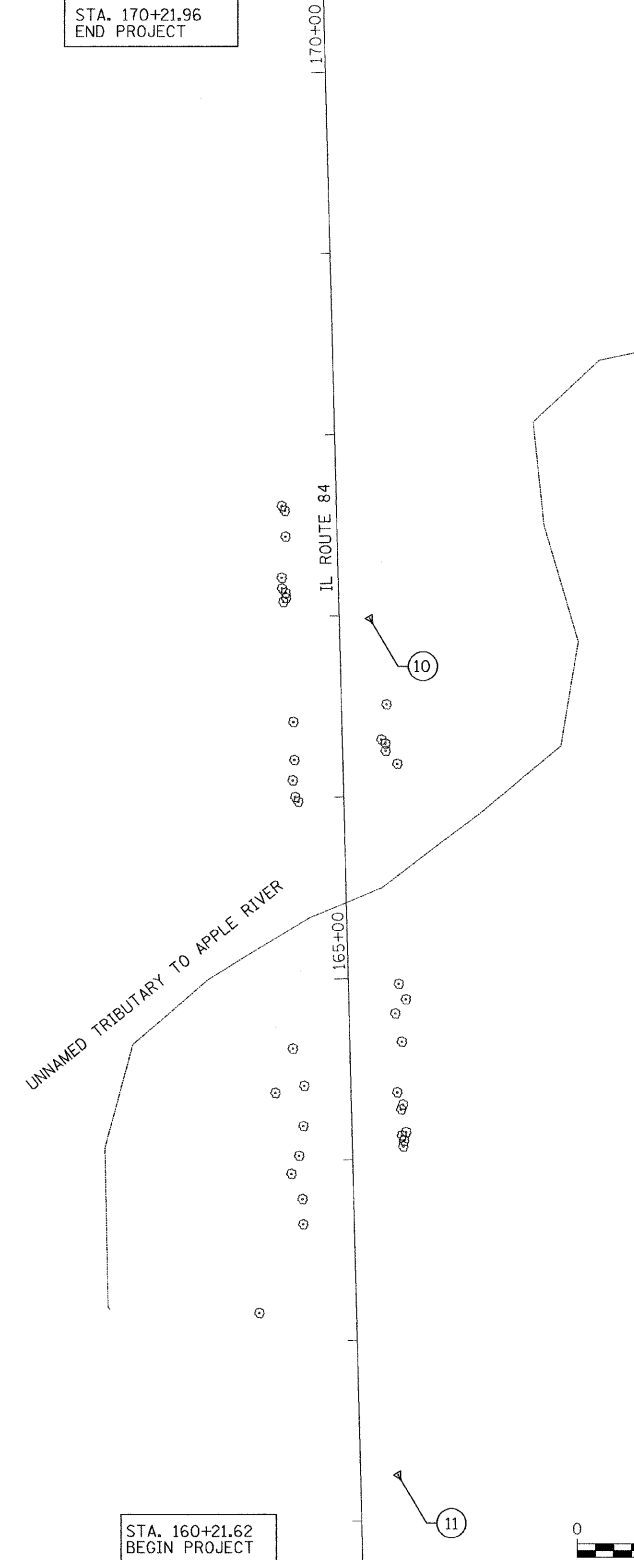
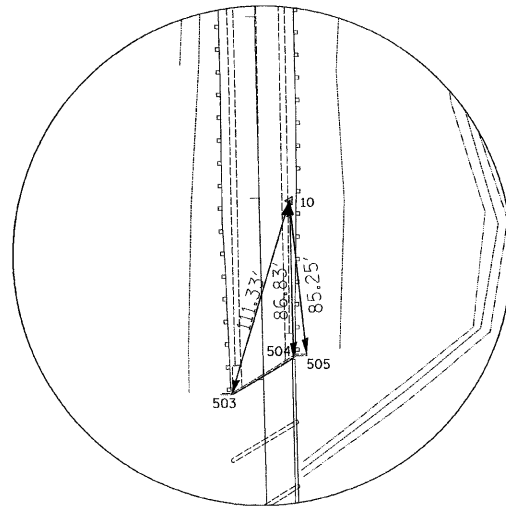


EXISTING HORIZONTAL & VERTICAL CONTROL

STA. 170+21.96
END PROJECT



HORIZONTAL CONTROL POINT NO. 11



HORIZONTAL CONTROL POINT NO. 10

Chain JO_IL84_S contains:
1363 1352

Beginning chain JO_IL84_S description

Point 1363 N 2,023,541.7873 E 2,270,433.7654 Sta 160+30.7414

Course from 1363 to 1352 358° 34' 30.3553" Dist 5,762.1013

Point 1352 N 2,029,302.1068 E 2,270,290.4812 Sta 217+92.8427

Ending chain JO_IL84_S description

BENCH MARK

POINT	NORTH	EAST	ELEVATION	CHAIN	STATION	OFFSET	DESCRIPTION
410	2024102.8225	2270402.3110	608.5477	JO_IL84_S	165+92.39	17.49 LT	PLUG AT APPLE RIVER TRIB.

HORIZONTAL CONTROL POINTS

POINT	NORTH	EAST	ELEVATION	CHAIN	STATION	OFFSET	DESCRIPTION
10	2024209.4091	2270434.0841	608.4521	JO_IL84_S	166+98.15	16.92 RT	SET PIN & CAP FOR WORK POINT TOPO SURVEY POINT
11	2023736.2741	2270449.7436	608.1272	JO_IL84_S	162+24.77	20.81 RT	SET PIN & CAP FOR WORK POINT TOPO SURVEY POINT

REFERENCE TIES

POINT	NORTH	EAST	ELEVATION	CHAIN	STATION	OFFSET	DESCRIPTION
500	2023782.5256	2270451.9221	607.8000	JO_IL84_S	162+70.95	24.14 RT	STEEL PLATE BEAM GUARDRAIL
501	2023628.3952	2270420.1222	608.4792	JO_IL84_S	161+17.66	11.49 LT	PAVEMENT STATION NUMBER 130+00
502	2023532.4054	2270407.6707	606.8841	JO_IL84_S	160+21.90	26.30 LT	STEEL PLATE BEAM GUARDRAIL
503	2024102.4708	2270403.1087	608.3439	JO_IL84_S	165+92.01	16.70 LT	BRIDGE DECK
504	2024122.6087	2270436.1915	608.4063	JO_IL84_S	166+11.32	16.87 RT	BRIDGE DECK
505	2024124.6697	2270443.3423	606.6270	JO_IL84_S	166+13.21	24.07 RT	TOP OF WINGWALL

FILE NAME =	USER NAME = #USER*	DESIGNED - CV	REVISED -	STATE OF ILLINOIS DEPARTMENT OF TRANSPORTATION	EXISTING HORIZONTAL AND VERTICAL CONTROL IL 84 OVER TRIBUTARY TO APPLE RIVER	F.A.P. RTE.	SECTION	COUNTY	TOTAL SHEETS	SHEET NO.	
#FILEL*	PLOT SCALE = #SCALE*	DRAWN - CV	REVISED -			308	103BR-3 & 104BR-1	JO DAVIESS	126	18	
	PLOT DATE = #DATE*	CHECKED - ST	REVISED -			CONTRACT NO. 64B26					
		DATE - 10-15-2010	REVISED -			ILLINOIS FED. AID PROJECT					
					SCALE: 1" = 50'	SHEET NO. 1 OF 1 SHEETS	STA. 160+00 TO STA. 172+00				