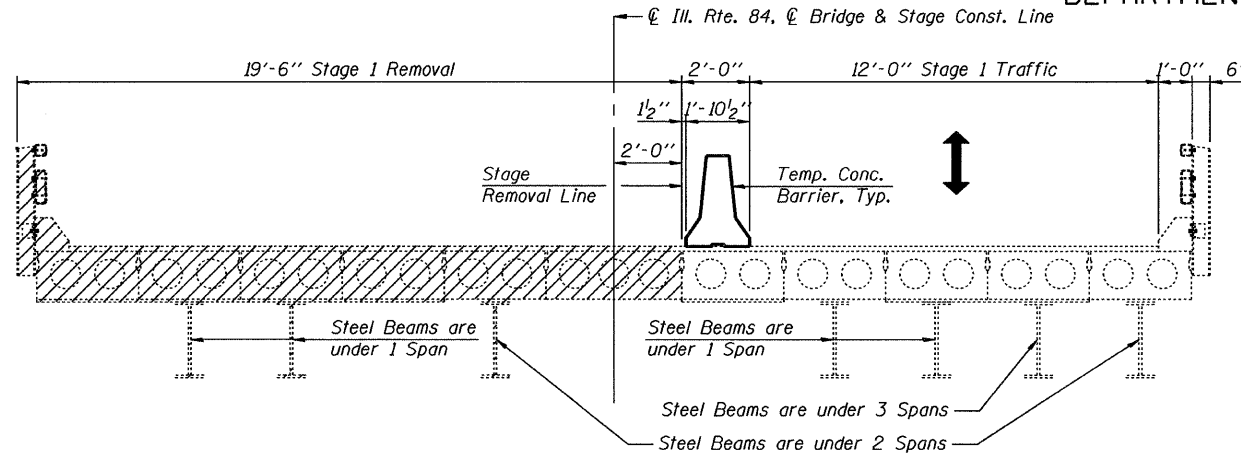
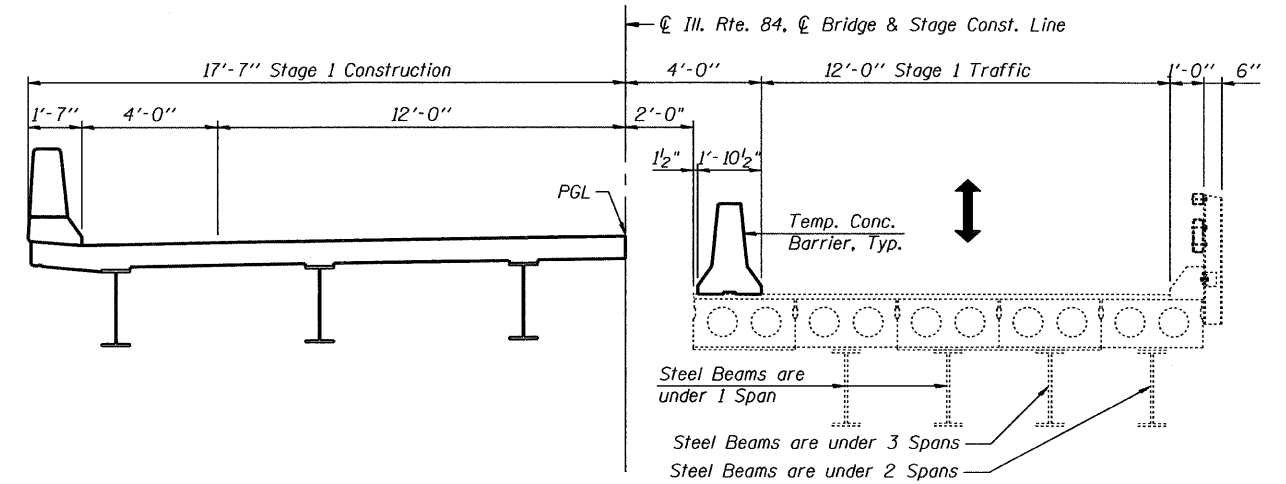


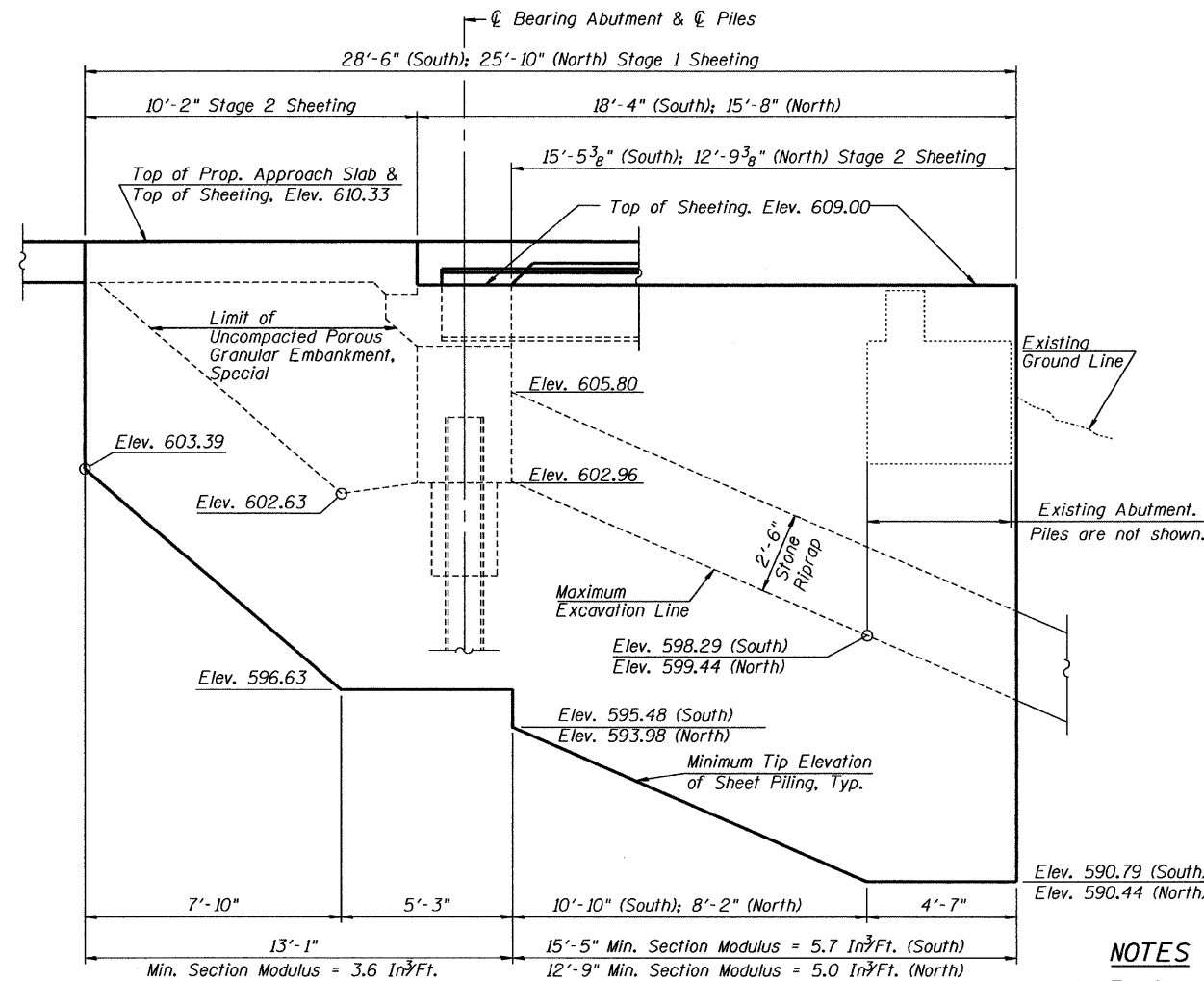
STATE OF ILLINOIS
DEPARTMENT OF TRANSPORTATION



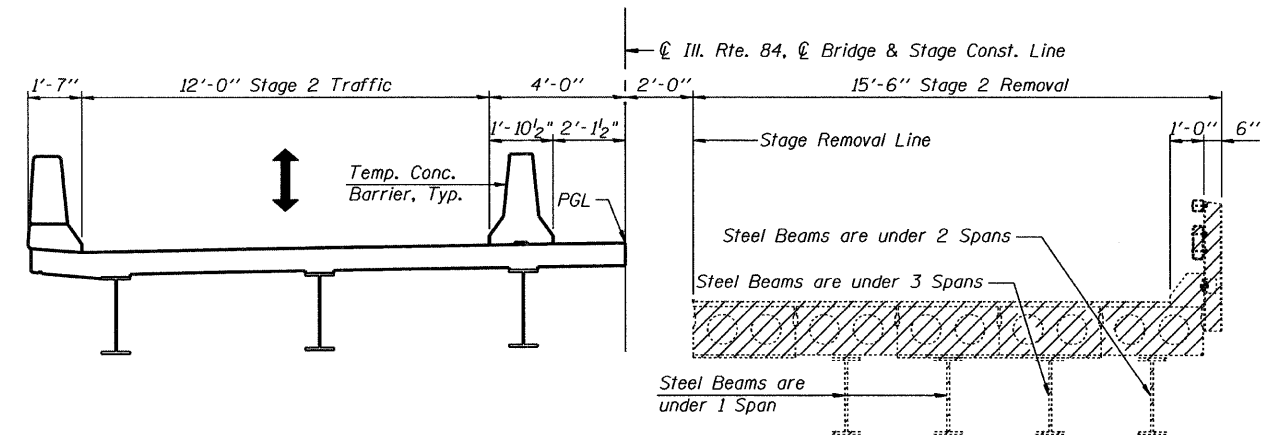
STAGE 1 REMOVAL (LOOKING NORTH)



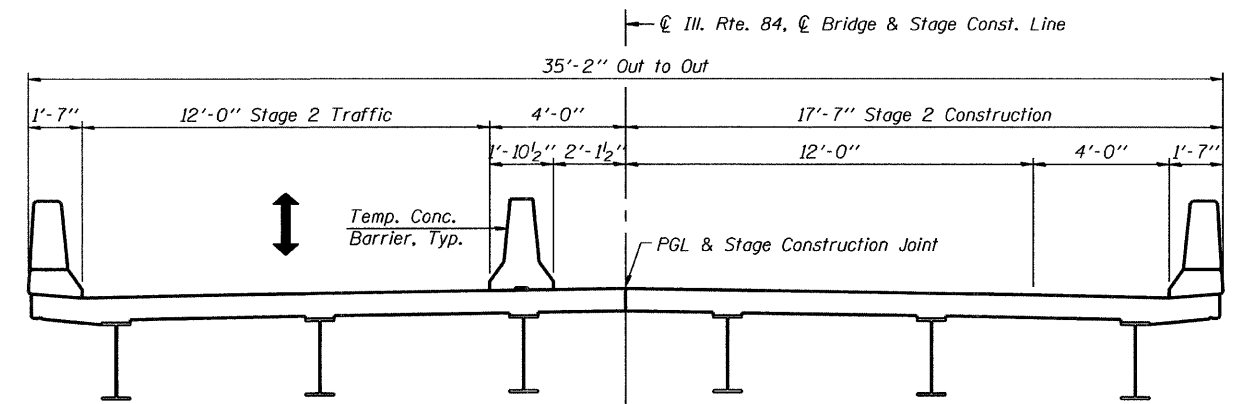
STAGE 1 CONSTRUCTION (LOOKING NORTH)



ELEVATION VIEW OF TEMPORARY SHEET PILING
LOOKING WEST AT SOUTH ABUTMENT, LOOKING EAST AT NORTH ABUTMENT



STAGE 2 REMOVAL (LOOKING NORTH)



STAGE 2 CONSTRUCTION (LOOKING NORTH)

NOTES

1. The Stage Removal and Stage Construction for the bridge Approach Slab are the same as for the bridge deck.
2. The cost for removal of existing bridge rails and for removal of the temporary steel beams and their required attachment items for the support of the deck beams shall be included with the Removal of Existing Structures Pay Item.
3. If the Contractor chooses to alter the temporary cantilevered sheet piling design requirements shown on the plans, a design submittal including plan details and calculations will be required for review and acceptance by the Engineer.

CONSTRUCTION STAGING & TEMPORARY SHEET PILING

Illinois Rte. 84 Over Apple River Tributary

STATION 165+50.00

STRUCTURE NO. 043-0078

SHEET NO.	F.A.P. RTE.	SECTION	COUNTY	TOTAL SHEETS	SHEET NO.
SA3 OF 25 SHEETS	308	104BR-1	JO DAVIESS	126	39
				CONTRACT NO. 64B26	
			ILLINOIS FED. AID PROJECT		

GRÄEF 8501 W. Higgins Road, Suite 280
Chicago, Illinois 60631
(773) 399-0112

I:\projects\2010\165+50\104BR-1\sheet\104BR-1-39.dgn 10/12/2010

DESIGNED J.A.Z.
CHECKED J.J.G.
DRAWN E.E.J.
CHECKED J.A.Z.