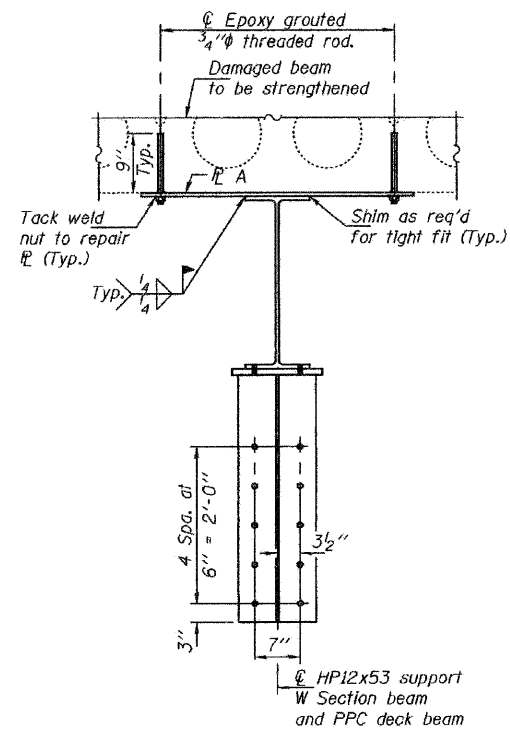
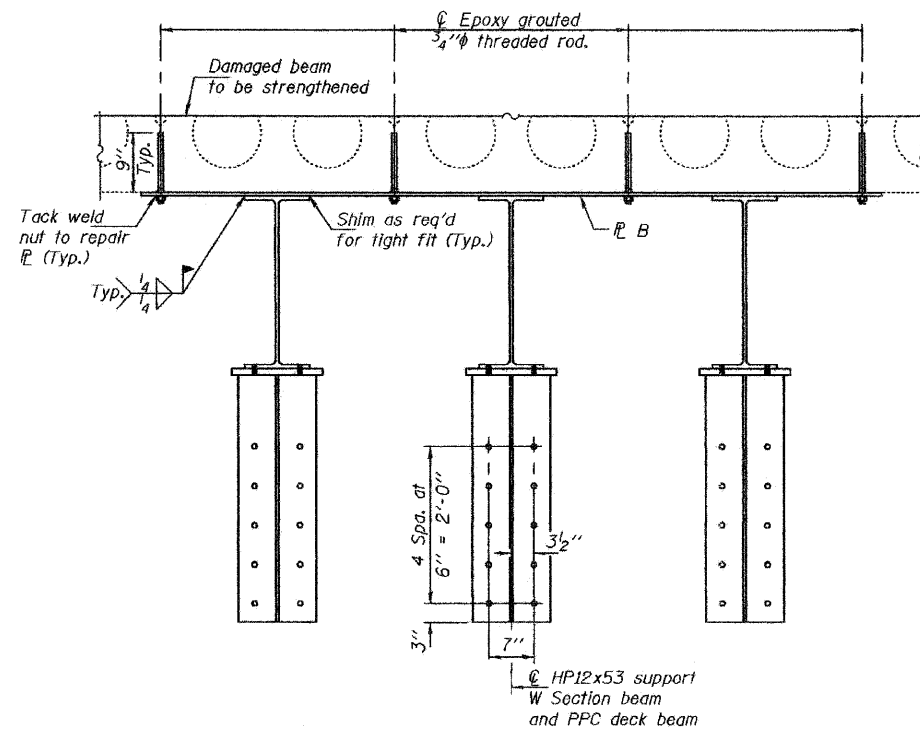


STATE OF ILLINOIS  
DEPARTMENT OF TRANSPORTATION

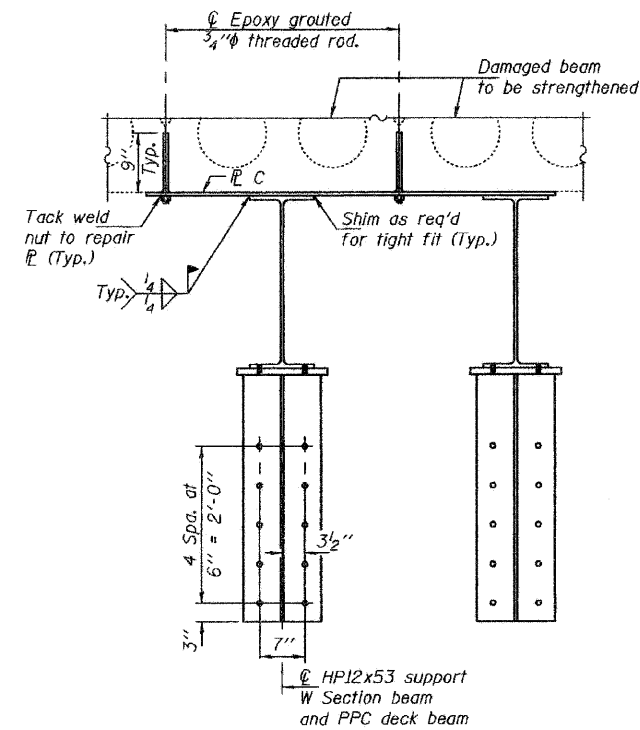
ROUTE NO.	SECTION	COUNTY	STATION	SHEET	SHEET NO.
*104BRM	*	JO DAVIESS	13	6	2 SHEETS
CONTRACT NO. 64D87					Sheet 93 of 126



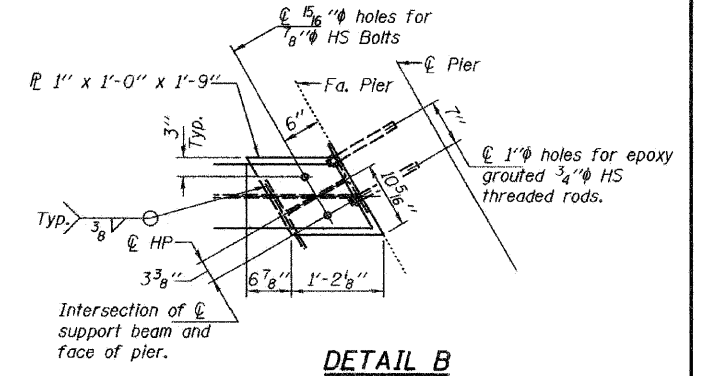
SECTION A-A



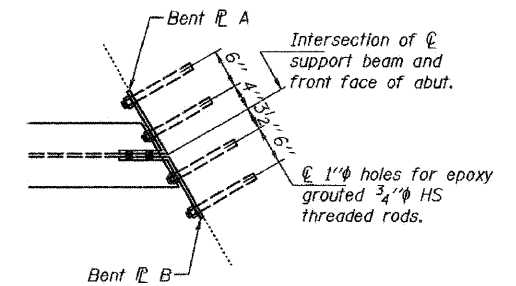
SECTION B-B



SECTION C-C

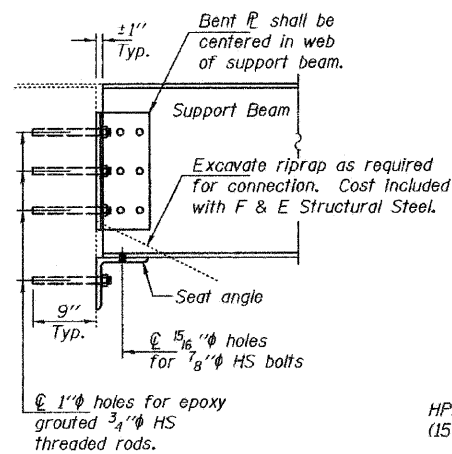


DETAIL B

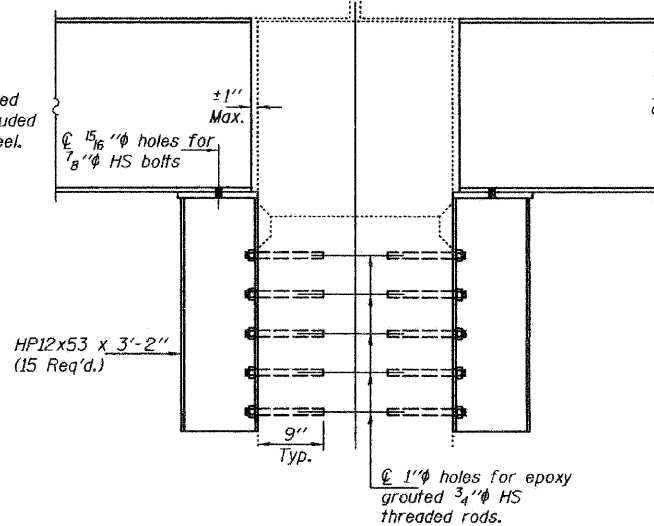


DETAIL A

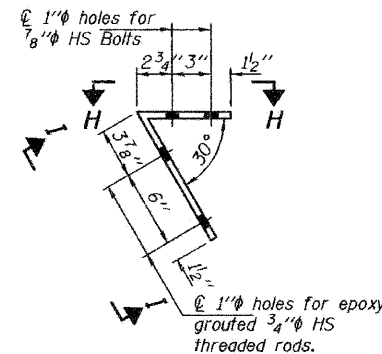
L 8 x 8 x 3/4 not shown for clarity



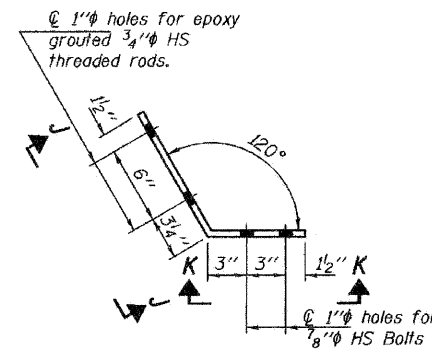
SECTION D-D



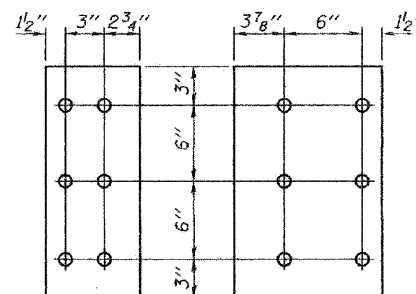
SECTION E-E



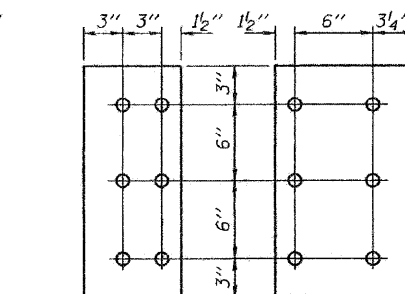
BENT PLATE A  
L 1/2" x 1'-6" x 1'-6 5/8"  
(7 Req'd)



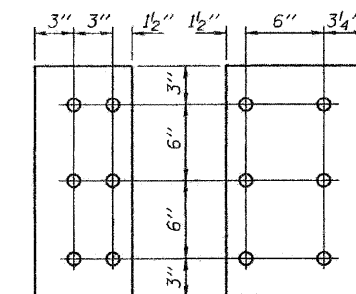
BENT PLATE B  
L 1/2" x 1'-6" x 1'-6 1/4"  
(7 Req'd)



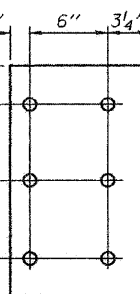
VIEW H-H



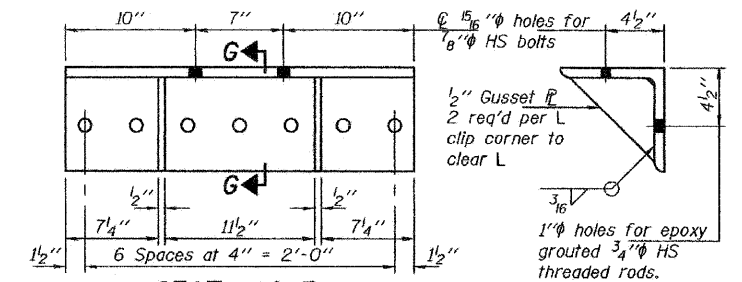
VIEW I-I



VIEW K-K



VIEW J-J



SEAT ANGLE  
L 8x8x3/4 x 2'-3"  
(7 Req'd)

SECTION G-G

FOR INFORMATION ONLY

DESIGNED	SJB
CHECKED	VHV
DRAWN	balva
CHECKED	SJB VHV

SEPTEMBER 10, 2007  
EXAMINED *Carl Perry*  
REPAIR PLANS UNIT CHIEF  
PASSED *Ralph E. Anderson*  
ENGINEER OF BRIDGES AND STRUCTURES

REPAIR DETAILS  
FA 18 OVER  
TRIBUTARY TO APPLE RIVER  
JO DAVIESS COUNTY  
SN 043-0038