

ROUTE NO.	SECTION	COUNTY	TOTAL SHEETS	SHEET NO.
FA 18	BR-2	JO DAVIESS	18	10
SHEETS 7				

Sheet 97 of 126

STATE OF ILLINOIS
DEPARTMENT OF TRANSPORTATION
DIVISION OF HIGHWAYS

BILL OF MATERIAL

Item	Unit	Quantity
Precast Concrete Bridge Slab	Sq. Ft.	299
Class X Concrete	Cu. Yds.	1.6

BAR LIST - ONE UNIT

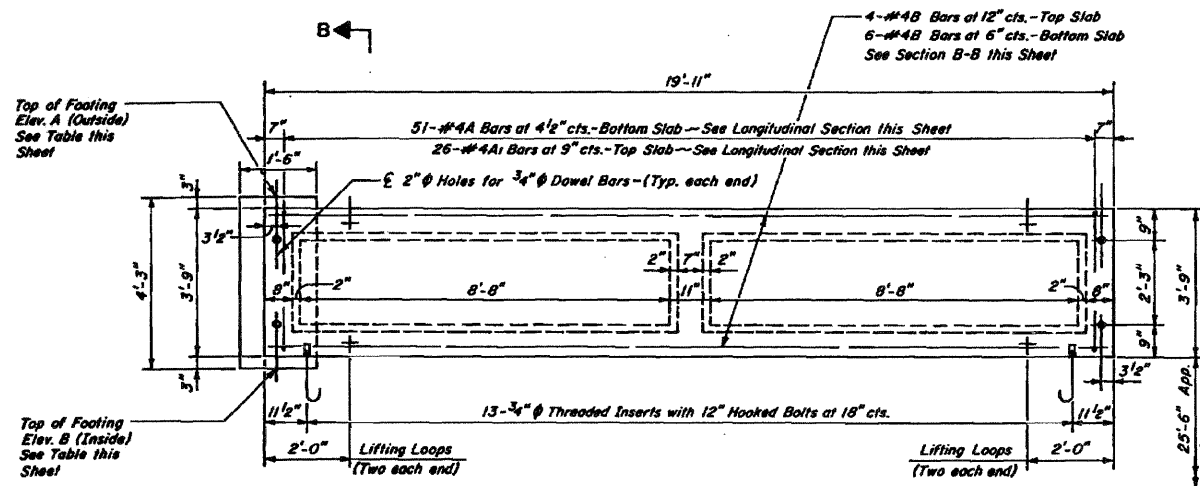
Reinforcement to be cast into slab.

Bar	No.	Size	Length	Shape
A	51	#4	3'-3"	—
A1	26	#4	4'-0"	⌊
B	10	#4	19'-7"	—
B1	6	#4	3'-6"	—
G	4	#10	19'-7"	—
S	42	#3	3'-4"	⌊

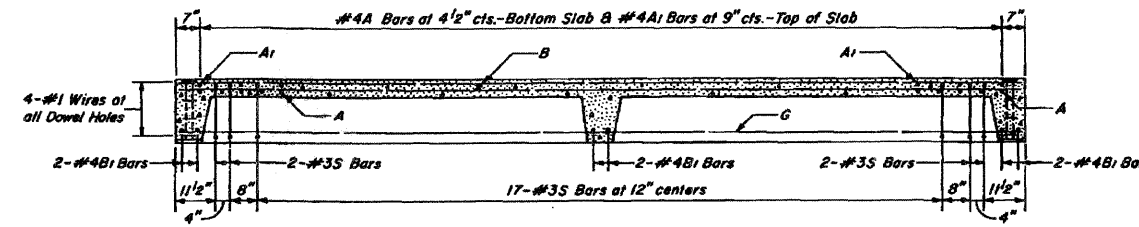
BAR A1

TABLE OF ELEVATIONS (FOOTING)

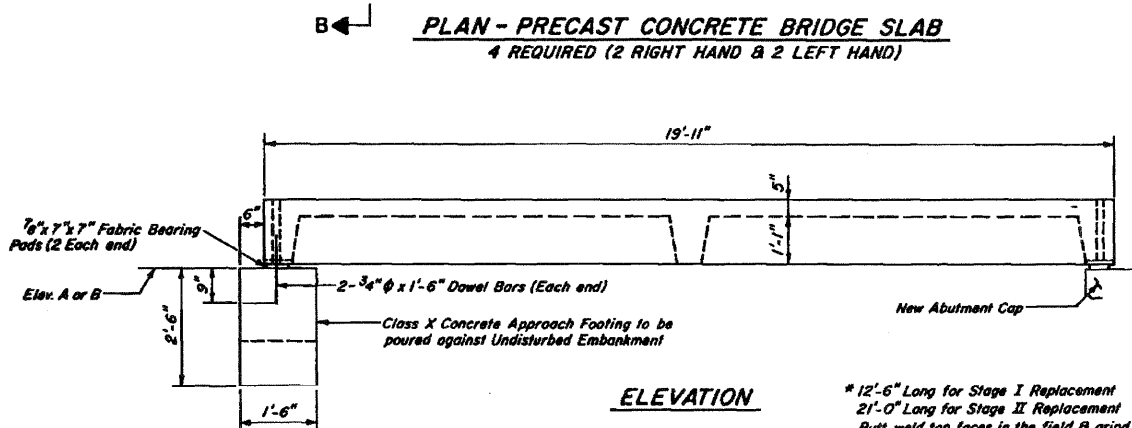
Location	Elevation	
	A	B
Northeast	628.32	628.39
Northwest	628.32	628.39
Southeast	628.28	628.35
Southwest	628.28	628.35



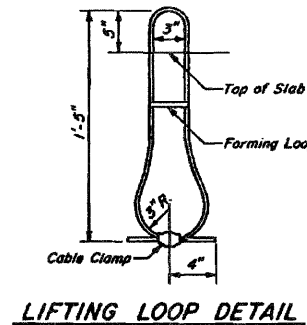
PLAN - PRECAST CONCRETE BRIDGE SLAB
4 REQUIRED (2 RIGHT HAND & 2 LEFT HAND)



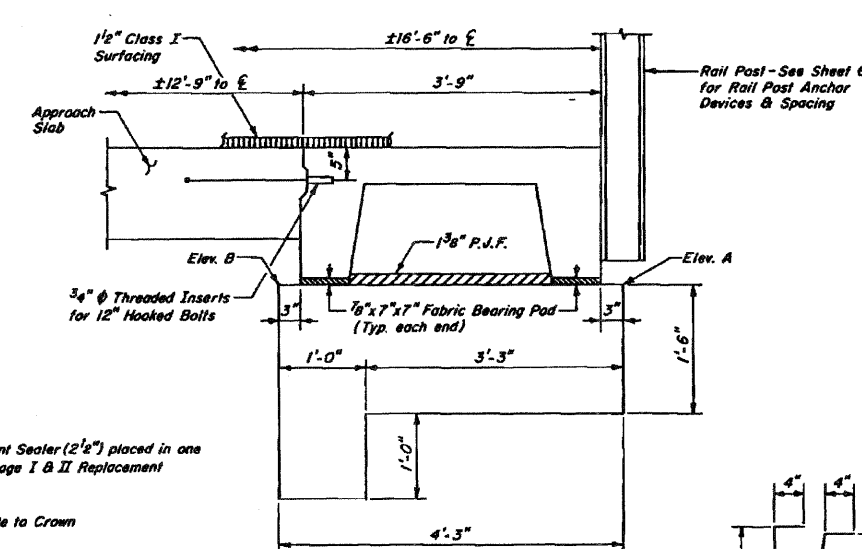
LONGITUDINAL SECTION



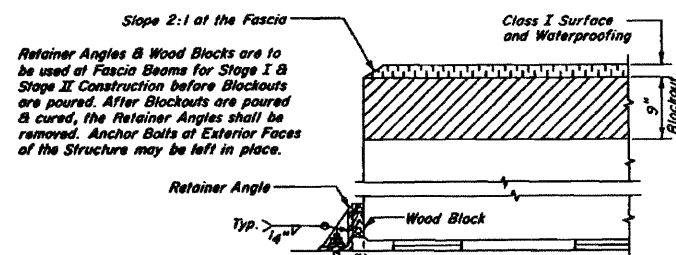
ELEVATION



LIFTING LOOP DETAIL

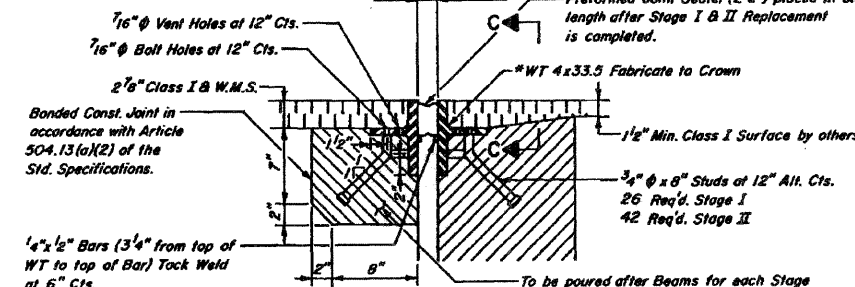


SECTION B-B

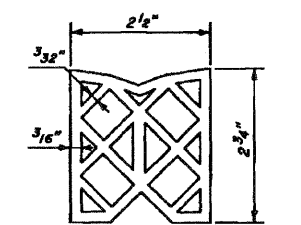


SECTION A-A

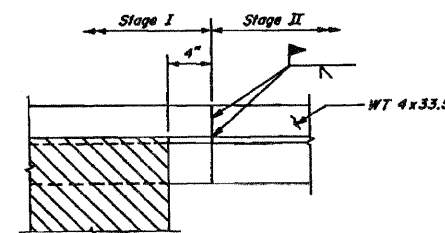
* 12'-6" Long for Stage I Replacement
21'-0" Long for Stage II Replacement
Butt weld top faces in the field & grind smooth before placing Preformed J. Sealer. Place Stage I portion 4" beyond face of Inside Beam.



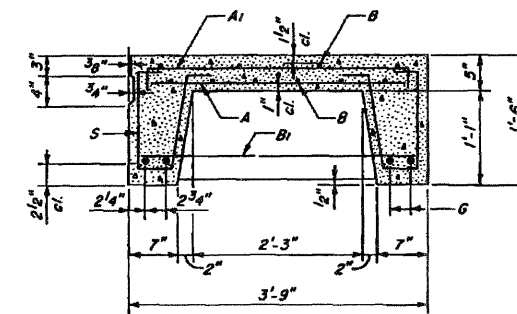
DETAIL "1"



PREFORMED JOINT SEALER



SECTION C-C



SECTION THRU PRECAST UNIT

NOTES:
Unless otherwise approved by the Engineer, lifting loops shall be 1/2" diameter, 6 x 19 class wire rope with fiber core, and shall have a minimum ultimate strength of 18,700 lbs. Loops shall be burned off after slab has been erected. Holes shall be drilled and anchor dowels grouted in place. Cost of reinforcement and accessories cast into the slab unit, bearing pads, furnishing, drilling for, placing, and grouting anchor dowels and 3/4" diameter hooked bolts is included in Unit bid price for "Precast Concrete Bridge Slab." The Precast Concrete Bridge Slab shall be erected and aligned with the exterior face of the exterior Deck Beam after Deck Beams are in final position.

Approach Pavement
DETAILS

PROJECT GR-18 (H5) SEC. 103 BR-2
FA 18 (II. 84) OVER DUKE CREEK
JO DAVIESS COUNTY
STA. 242 + 45.5

FOR INFORMATION ONLY

DESIGNED	<i>R.C.C.</i>
CHECKED	<i>R.F.C.</i>
DRAWN	<i>brh</i>
CHECKED	<i>R.F.C./F.S.</i>

NOTE:
Anchor Bolts may be cast into the masonry or placed in drilled holes and grouted in place. Cost including Retainer Angle and Accessories incidental to Beams.