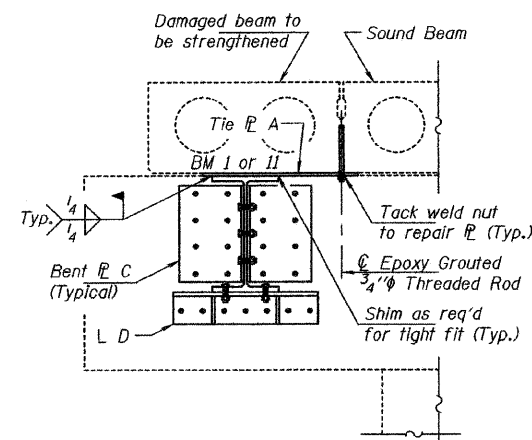
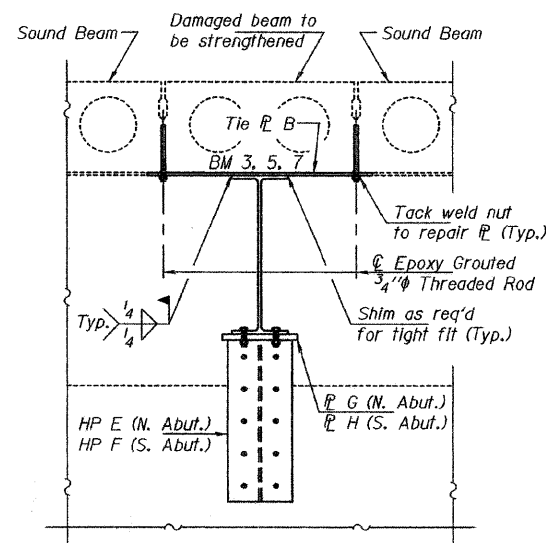


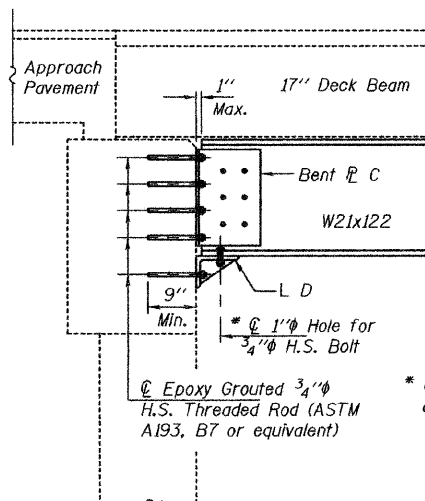
STATE OF ILLINOIS
DEPARTMENT OF TRANSPORTATION



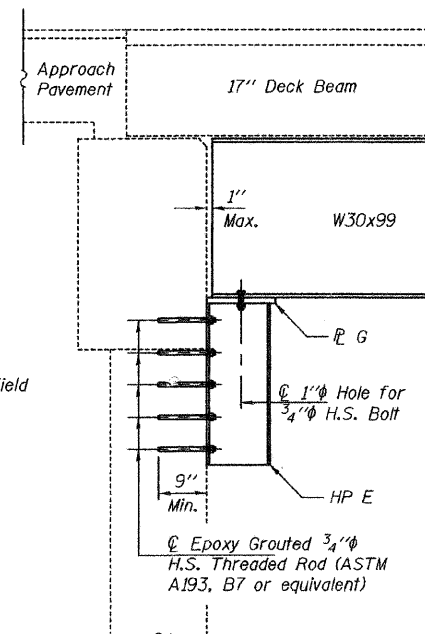
SECTION A-A



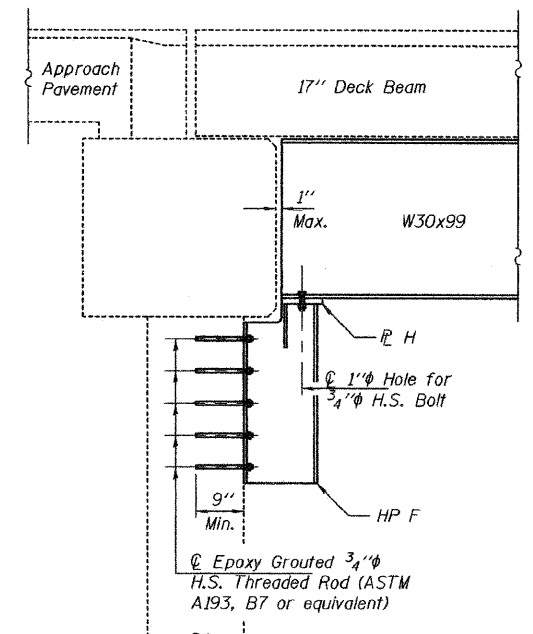
SECTION B-B



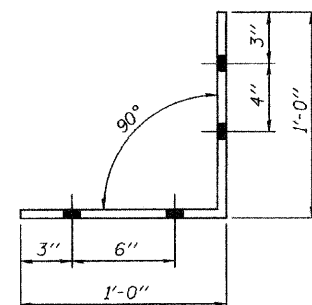
SECTION C-C



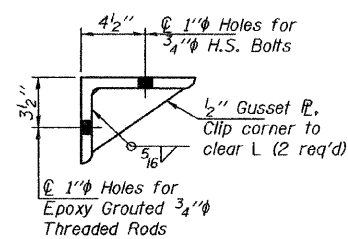
SECTION D-D



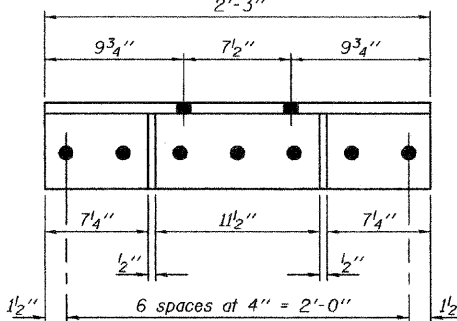
SECTION E-E



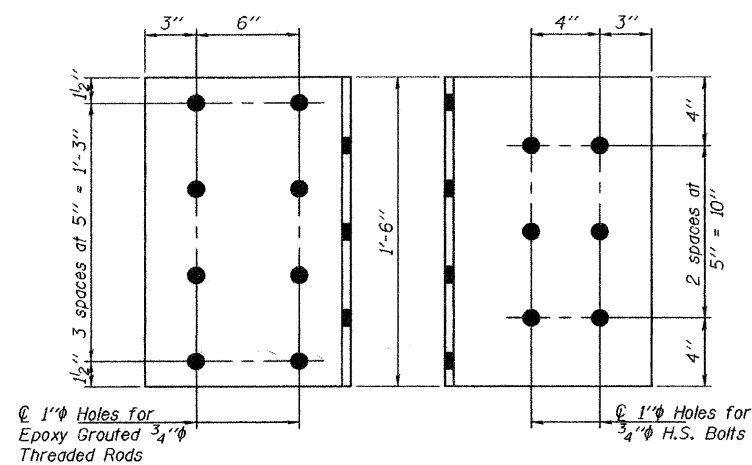
BENT R C
1/2" x 1'-6" x 2'-0"
(8 Required)



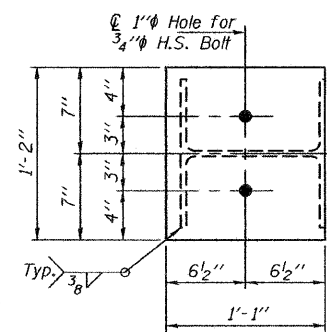
SECTION THRU L D



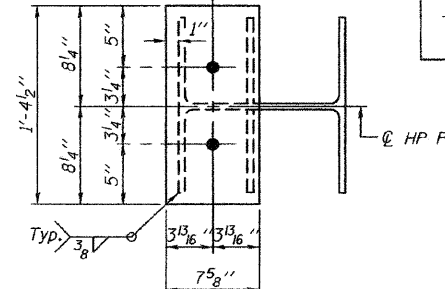
L D
L 8 x 6 x 3/4 x 2'-3"
(4 Required)



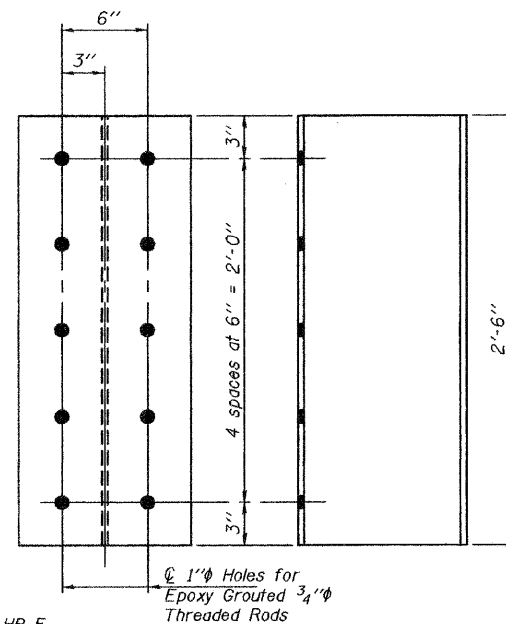
BENT R C ELEVATIONS



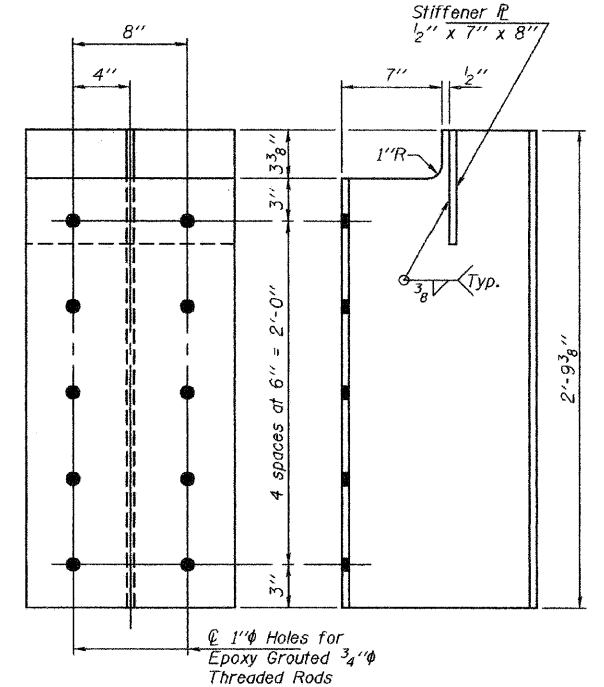
R G
1" x 1'-1" x 1'-2"
(3 Required)



R H
1" x 7 5/8" x 1'-4 1/2"
(3 Required)



HP E
HP12x53 x 2'-6"
(3 Required)



HP F
HP14x73 x 2'-9 3/8"
(3 Required)

REPAIR DETAILS
IL ROUTE 84 OVER
DUKE CREEK
SN 043-0027

DESIGNED	ATH
CHECKED	VHV
DRAWN	Kyle M. Steffen
CHECKED	ATH VHV

EXAMINED	<i>A. Carl Perry</i> ENGINEER OF STRUCTURAL SERVICES
PASSED	<i>Ralph E. Anderson</i> ENGINEER OF BRIDGES AND STRUCTURES

MARCH 19, 2009

FOR INFORMATION ONLY

SHEET NO. 2 2 SHEETS	F.A.P. RTE.	SECTION	COUNTY	TOTAL SHEETS	SHEET NO.
	308	(103BR-2)	JO DAVIESS	4	4
FED. ROAD DIST. NO.			ILLINOIS	FED. AID PROJECT	
CONTRACT NO. 64E92					