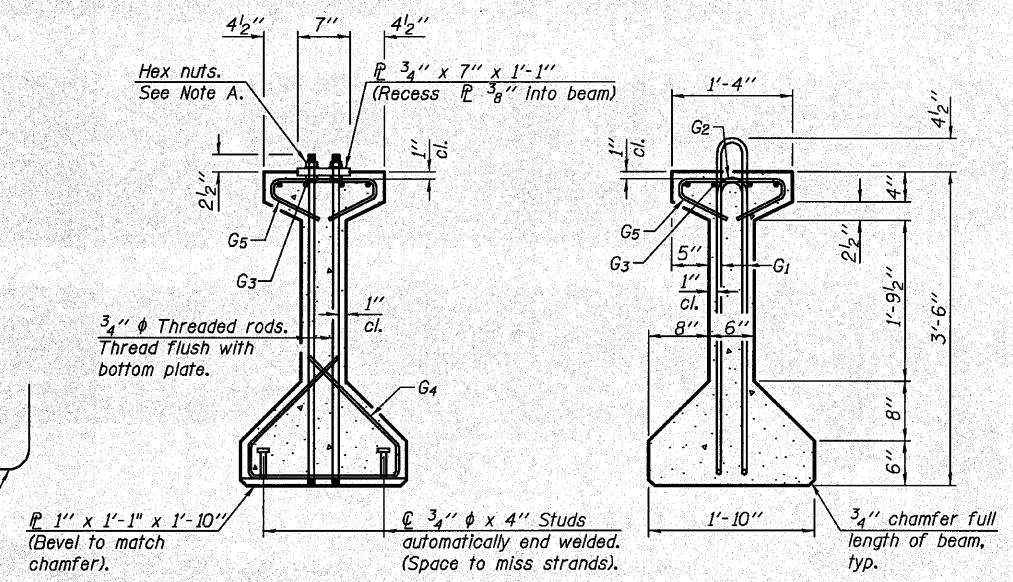


ELEVATION OF BEAM
(Showing reinforcement & dimensions)

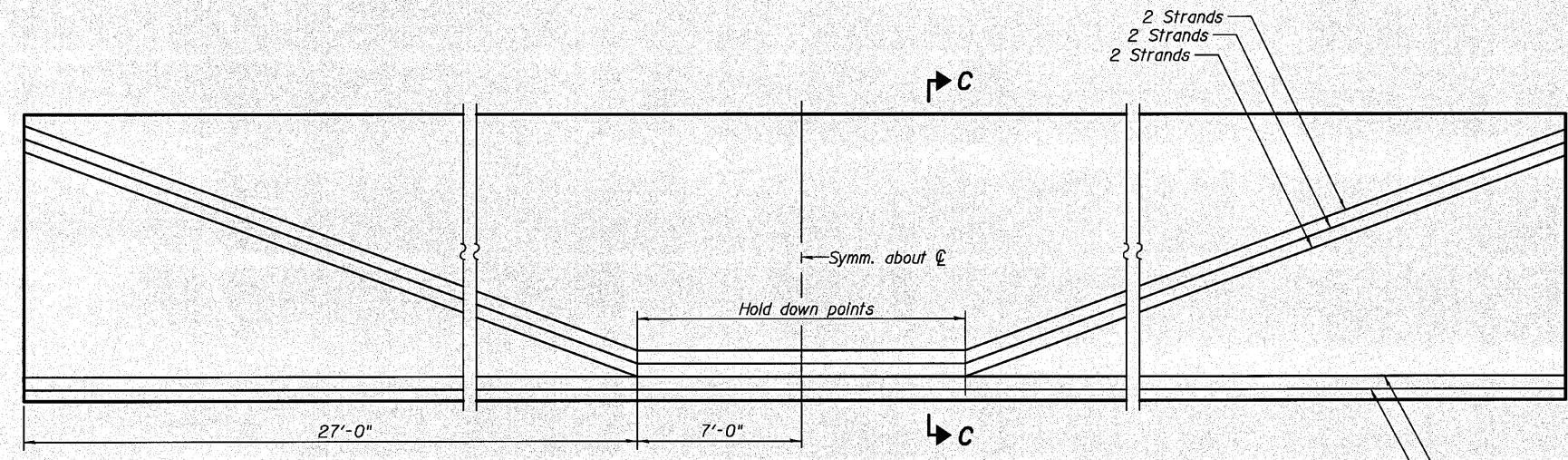
*3 spaces at 3" = 9".
**4-3/4" φ threaded dowel rods at 3" cts., Each Face.

2-#8 G6 bar assembly with threaded coupler splice at pier only. (See sheet 21 of 29 for details).
Note A:
Hex nuts (top and bottom) with lock washers (top). Only tighten sufficiently to compress lock washers.

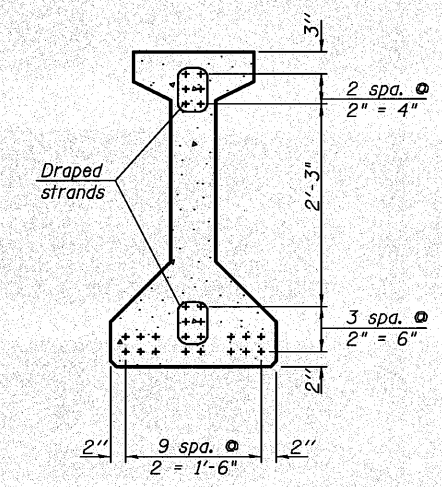


SECTION A-A

SECTION B-B



ELEVATION OF BEAM
(Showing prestressing steel)



SECTION C-C

*****BAR LIST
ONE BEAM ONLY**

| Bar | No. | Size | Length | Shape |
|----------------|-----|------|--------|-------|
| G ₁ | 114 | #4 | 8'-5" | ∩ L |
| G ₂ | 114 | #4 | 6'-8" | ∩ |
| G ₃ | 8 | #6 | 36'-4" | — |
| G ₄ | 38 | #3 | 4'-11" | ∩ |
| G ₅ | 68 | #3 | 2'-6" | ∩ |
| G ₆ | 4 | #8 | 6'-6" | ∩ |

***For information only

Notes:
See sheet 21 of 29 for additional details and Bill of Material.
Required release strength, f'ci, shall be 6000 psi.
See Framing Plan for location of Inserts for drainage pipe supports and location of permanent bracing.

11/22/2010 10:07:16 AM G:\ENR\06-6799-144 D2 Bridge Phase 2\1102\040\Structure\Sh\11020176_64D25.dwg 1_Beam_Elev1.dwg



| | | | |
|----------|---------|---------|---|
| DESIGNED | - GPM | REVISED | - |
| CHECKED | - B.J.M | REVISED | - |
| DRAWN | - GPM | REVISED | - |
| CHECKED | - B.J.M | REVISED | - |

| | | | |
|----------|---------|---------|---|
| DESIGNED | - GPM | REVISED | - |
| CHECKED | - B.J.M | REVISED | - |
| DRAWN | - GPM | REVISED | - |
| CHECKED | - B.J.M | REVISED | - |

**STATE OF ILLINOIS
DEPARTMENT OF TRANSPORTATION**

**42" PPC I-BEAM SPAN 2
STRUCTURE NO. 037-0176**
SHEET NO. 20 OF 29 SHEETS

| F.A.P. RTE. | SECTION | COUNTY | TOTAL SHEETS | SHEET NO. |
|---------------------------|---------|--------|--------------|--------------------|
| 638 | 1298R-4 | HENRY | 93 | 41 |
| | | | | CONTRACT NO. 64D25 |
| ILLINOIS FED. AID PROJECT | | | | |