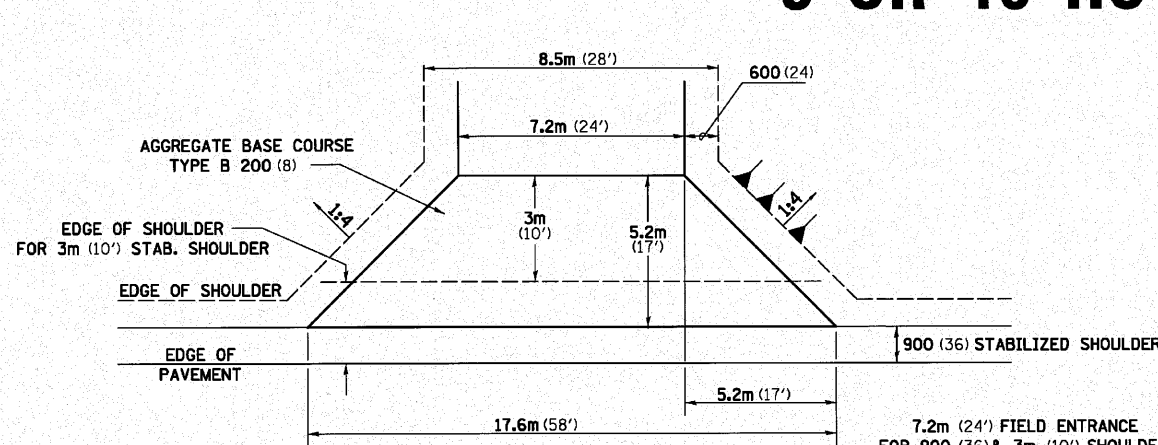
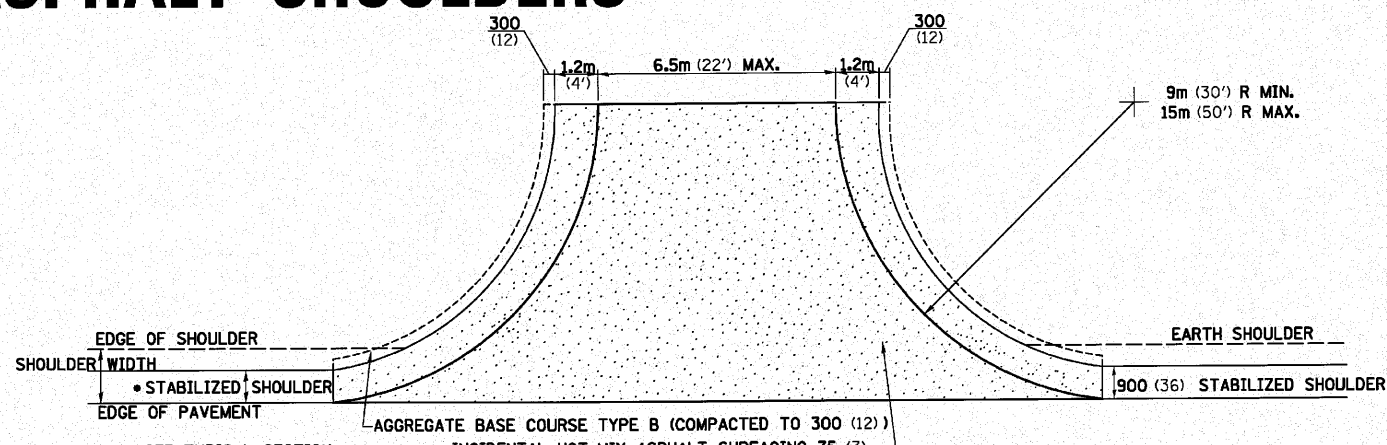


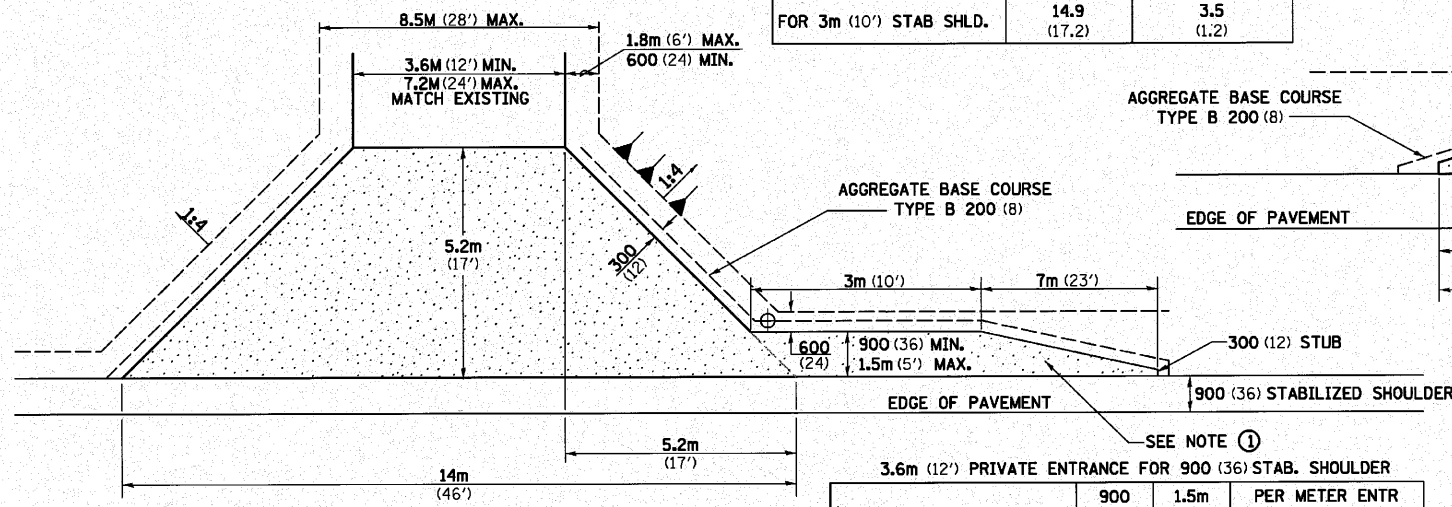
ENTRANCES, SIDEROADS, AND MAILBOX RETURNS WITH 3' OR 10' HOT-MIX ASPHALT SHOULDERS



AGG BASE CSE TYPE B M TON (TON)	APRON M TON (TON)	PER METER (FOOT) ADD. RUN
FOR 900 (36) STAB SHLD.	31.3 (35.3)	3.5 (1.2)
FOR 3m (10') STAB SHLD.	14.9 (17.2)	3.5 (1.2)



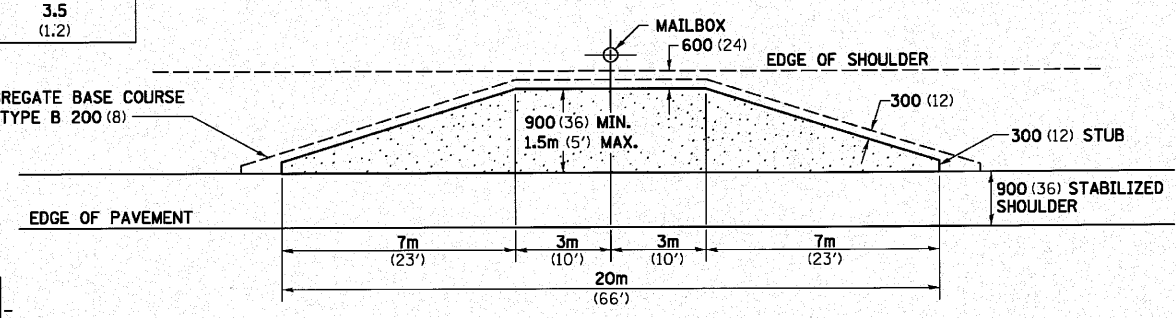
- NOTE**
- ALL ENTRANCES TO BE CONSTRUCTED WITH AN 8" AGGREGATE BASE COURSE, TYPE B AND WITH A 2" INCIDENTAL HOT-MIX ASPHALT SURFACING, UNLESS OTHERWISE NOTED.
 - TURNOUTS ARE TO BE CONSTRUCTED ON THE APPROACH SIDE OF ALL PE & CE REGARDLESS IF A MAILBOX IS PRESENT.
 - ALL PE & CE ARE TO BE SURFACED TO RIGHT OF WAY LINE. AREA BEHIND RIGHT OF WAY SHALL MATCH EXISTING SURFACE.
 - FE ARE TO BE AGGREGATE TO RIGHT OF WAY OR TOUCH DOWN WHICH EVER IS GREATER.
 - QUANTITIES SHOWN ARE FOR NEW CONSTRUCTION.
 - ALL DIMENSIONS ARE IN MILLIMETERS (INCHES) UNLESS OTHERWISE NOTED.



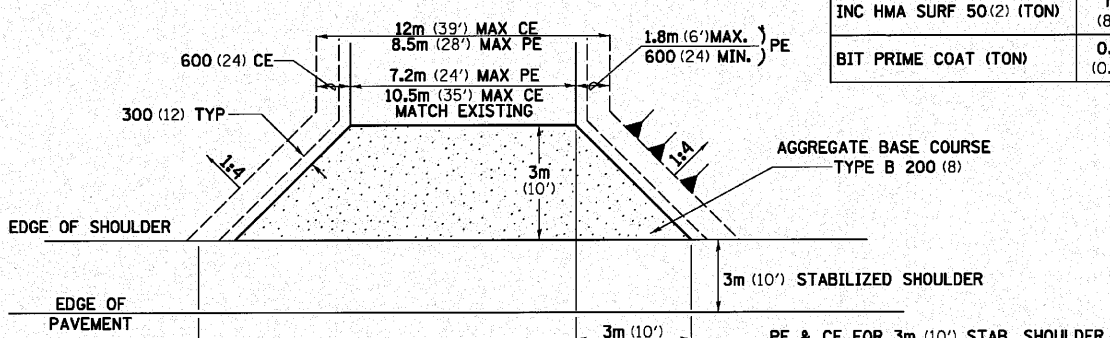
SEE NOTE ①

3.6m (12') PRIVATE ENTRANCE FOR 900 (36) STAB. SHOULDER

	900 (36)	1.5m (5')	PER METER ENTR (FOOT)
AGG BASE CSE (TON)	29.4 (32.4)	30.8 (33.9)	0.64 (0.7)
INC HMA SURF 50(2) (TON)	7.8 (8.6)	8.4 (9.3)	0.17 (0.19)
BIT PRIME COAT (TON)	0.08 (0.09)	0.09 (0.10)	0.006 (0.002)

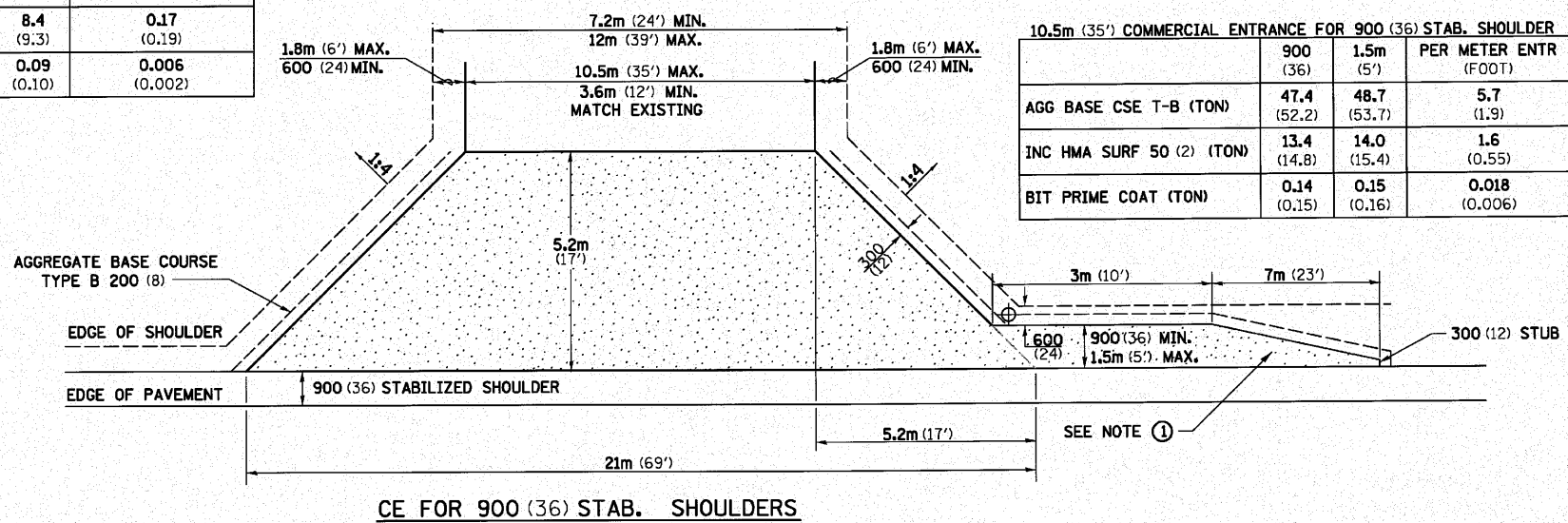


	900 (36)	1.5m (5')
AGG BASE CSE T-B (TON)	10.7 (11.8)	14.4 (15.9)
INC BIT SURF 50 (2) (TON)	2.2 (2.4)	3.4 (3.8)
BIT PRIME COAT (TON)	0.02 (0.02)	0.04 (0.04)



PE & CE FOR 3m (10') STAB. SHOULDER

	3.6m PE (12')	10.5m CE (35')
AGG BASE CSE (TON)	11.4 (12.6)	21.9 (24.2)
INC HMA SURF (TON)	3.1 (3.4)	6.3 (7.0)
PRIME (TON)	0.04 (0.04)	0.06 (0.07)



10.5m (35') COMMERCIAL ENTRANCE FOR 900 (36) STAB. SHOULDER

	900 (36)	1.5m (5')	PER METER ENTR (FOOT)
AGG BASE CSE T-B (TON)	47.4 (52.2)	48.7 (53.7)	5.7 (1.9)
INC HMA SURF 50 (2) (TON)	13.4 (14.8)	14.0 (15.4)	1.6 (0.55)
BIT PRIME COAT (TON)	0.14 (0.15)	0.15 (0.16)	0.018 (0.006)

FILE NAME = G:\ENGV06-6790-14A D2 Bridges Phase 2	USER NAME = #USER#	DESIGNED -	REVISED - 1-15-08	STATE OF ILLINOIS DEPARTMENT OF TRANSPORTATION	REGION 2 / DISTRICT 2 STANDARD	F.A.P. RTE. 638	SECTION 129BR-4	COUNTY HENRY	TOTAL SHEETS 93	SHEET NO. 61
PLOT SCALE = #SCALE#	CHECKED -	REVISED -	CONTRACT NO. 64D25							
PLOT DATE = 10/28/2010	DATE -	REVISED -	FED. ROAD DIST. NO. [ILLINOIS] FED. AID PROJECT							