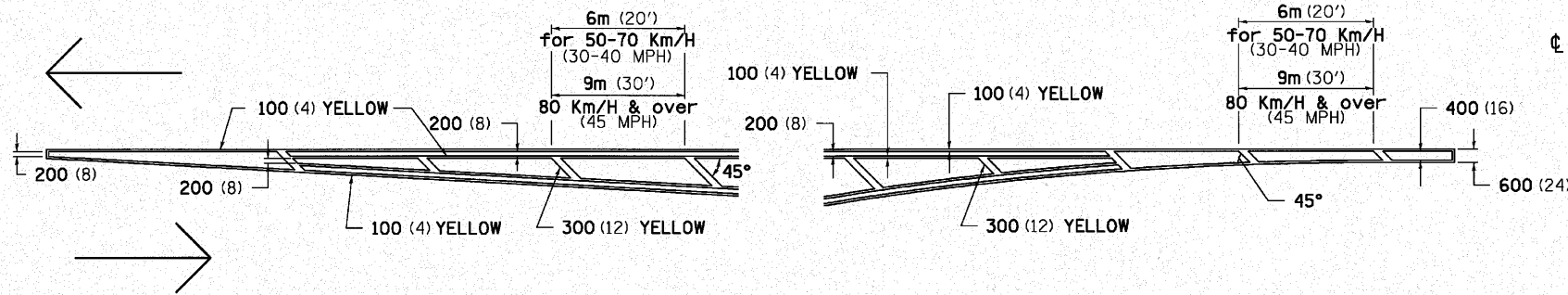
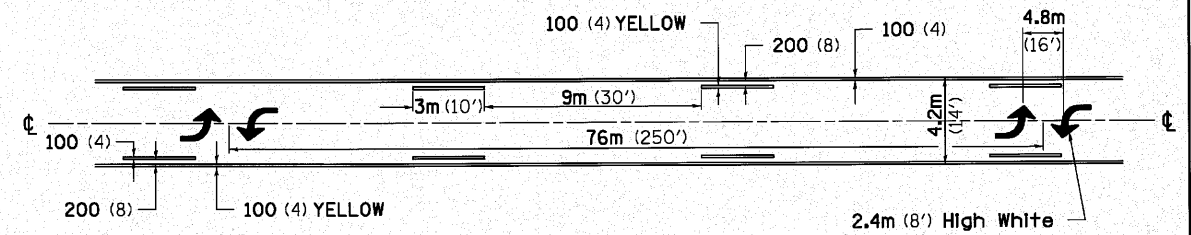


# TYPICAL PAVEMENT MARKINGS

## TYPICAL PAVEMENT MARKING FOR FLUSH MEDIAN AT LEFT TURN LANE

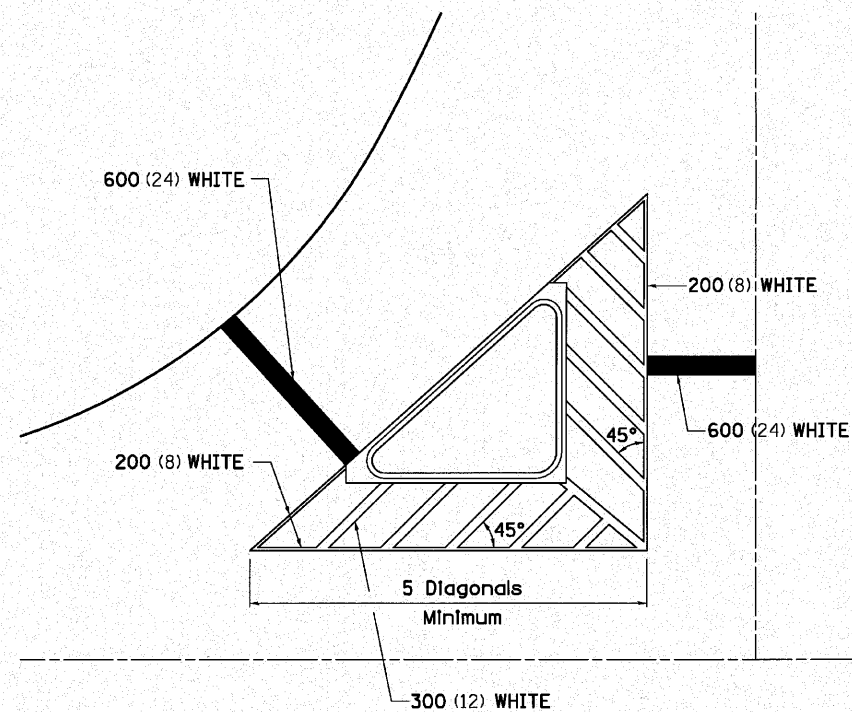


## MEDIAN PAVEMENT MARKING

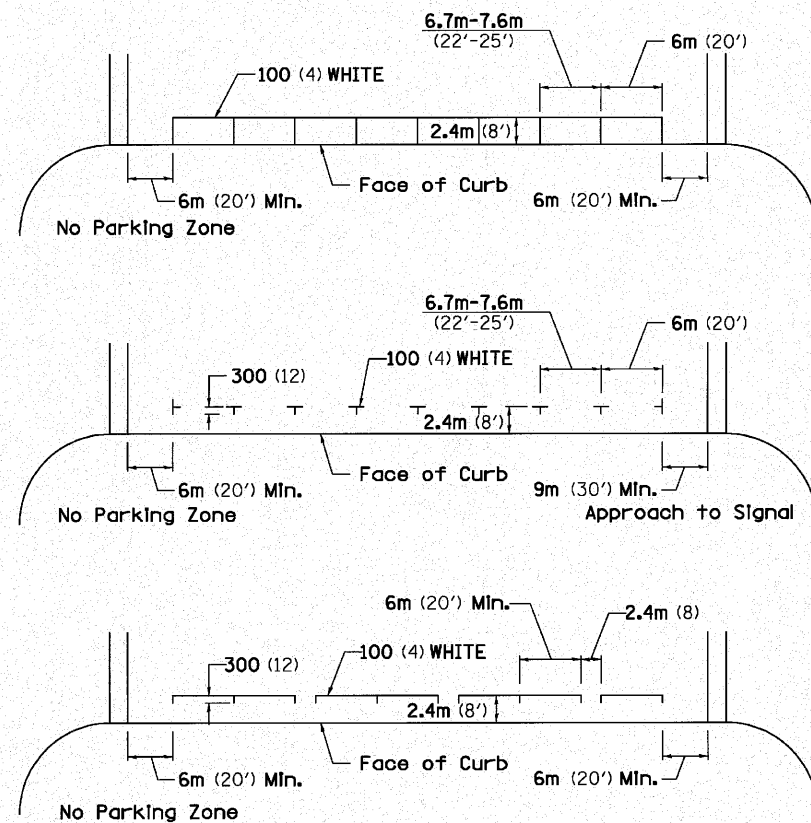


•• ALL DIMENSIONS ARE IN MILLIMETERS (INCHES) UNLESS OTHERWISE NOTED.

## TYPICAL ISLAND OFFSET SHOULDER WIDTH

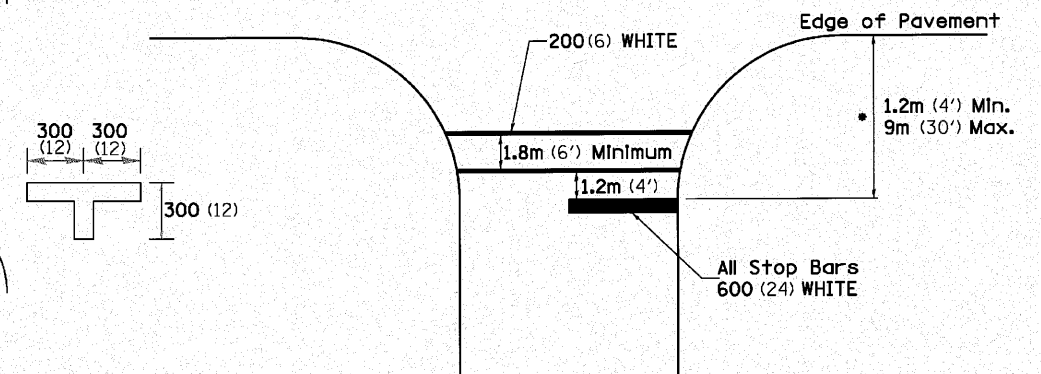


## TYPICAL PARKING SPACING



## STANDARD CROSSWALK MARKING

See Schedules for Locations



• Distance to the nearest edge of the intersecting roadway in the absence of a marked crosswalk.

## TYPICAL PAVEMENT MARKINGS SHEET 1 OF 3 41.1

FILE NAME =	USER NAME = #USER#	DESIGNED -	REVISED - 10-21-08	<b>STATE OF ILLINOIS DEPARTMENT OF TRANSPORTATION</b>	<b>REGION 2 / DISTRICT 2 STANDARD</b>	F.A.P. RTE.	SECTION	COUNTY	TOTAL SHEETS	SHEET NO.	
G:\ENGV06-6798-14A D2 Bridges Phase 2\1182\CAD\Civil\Sh1\0264d25-sh1-DIS2-STAND41.1.dwg	DRAWN	REVISED -	REVISED -			638	129BR-4	HENRY	93	66	
PLOT SCALE = #SCALE#	CHECKED -	REVISED -	REVISED -			CONTRACT NO. 64D25					
PLOT DATE = 10/28/2010	DATE	REVISED -	REVISED -			FED. ROAD DIST. NO. [ILLINOIS] FED. AID PROJECT					