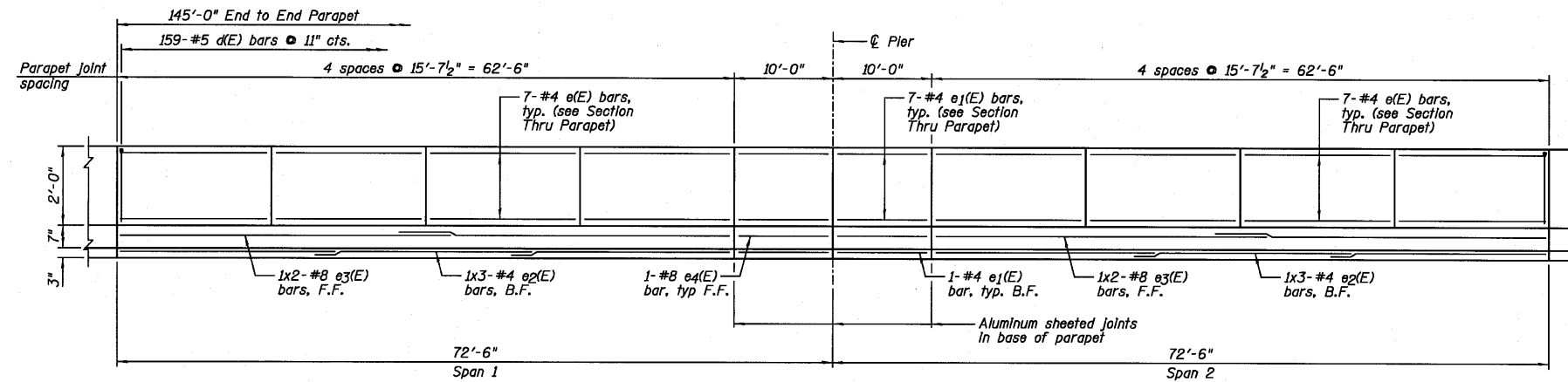
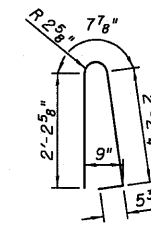


STATE OF ILLINOIS
DEPARTMENT OF TRANSPORTATION

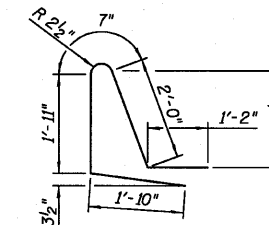


INSIDE ELEVATION OF PARAPET

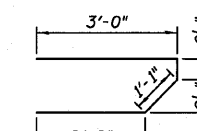
BAR LAP	
#4	2'-0"
#8	5'-2"



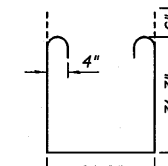
d(E) BAR



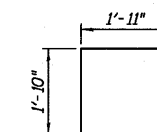
d1(E) BAR



s(E) BAR



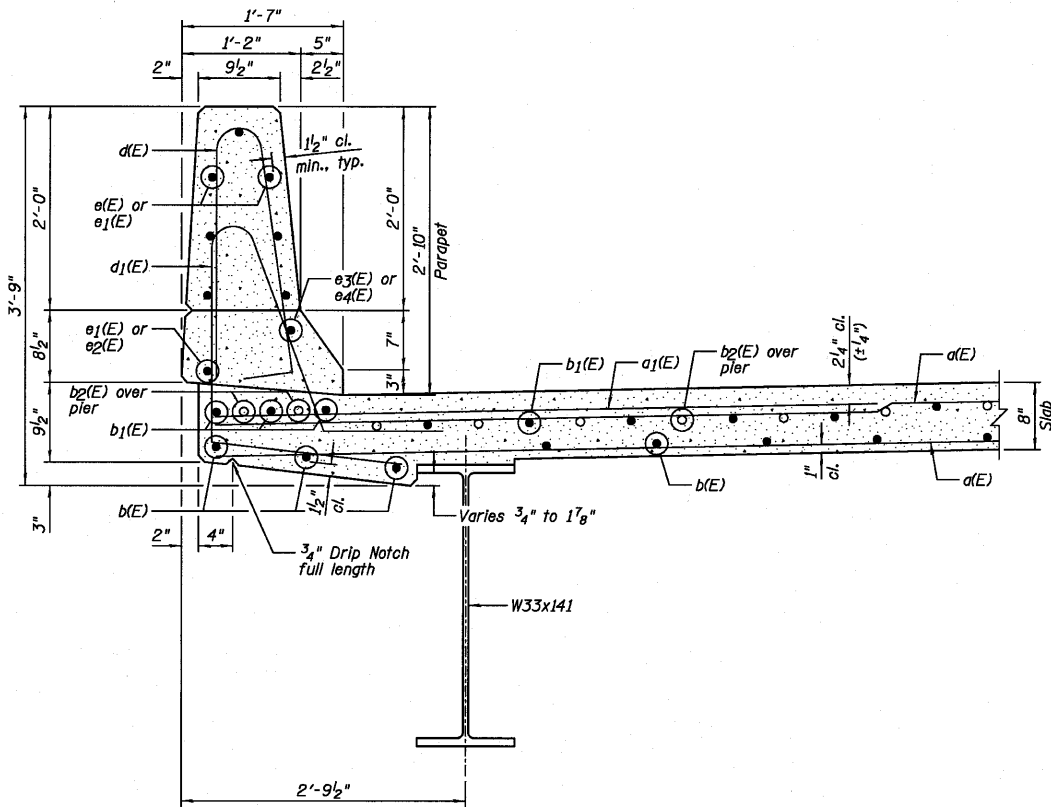
s1(E) BAR



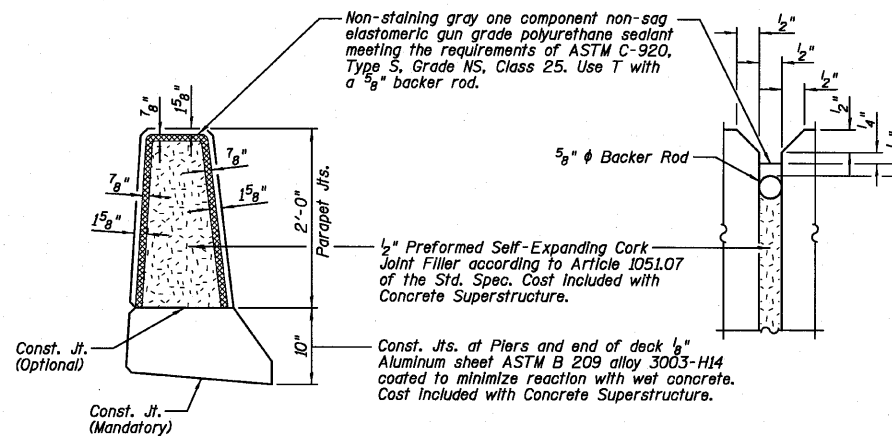
v(E) BAR

SUPERSTRUCTURE
BILL OF MATERIAL

Bar	No.	Size	Length	Shape
d(E)	846	#5	17'-1"	U
d1(E)	496	#6	6'-6"	U
b(E)	192	#5	26'-3"	—
b1(E)	190	#5	31'-0"	—
b2(E)	36	#6	40'-0"	—
d(E)	318	#5	5'-7"	L
d1(E)	318	#5	7'-6"	L
e(E)	112	#4	15'-3"	—
e1(E)	32	#4	9'-8"	—
e2(E)	12	#4	22'-1"	—
e3(E)	8	#8	33'-8"	—
e4(E)	4	#8	9'-8"	—
m(E)	8	#6	2'-5"	—
m1(E)	8	#6	5'-7"	—
m2(E)	24	#6	8'-0"	—
m3(E)	20	#6	17'-3"	—
s(E)	72	#5	6'-10"	—
s1(E)	64	#4	9'-8"	—
v(E)	72	#5	3'-9"	—
Item	Unit	Quantity		
Concrete Superstructure	Cu. Yd.	186.0		
Reinforcement Bars, Epoxy Coated	Pound	48,910		



SECTION THRU PARAPET



PARAPET JOINT DETAILS

NOTES:

- 1.) B.F. denotes Back Face and F.F. denotes Front Face.
- 2.) Inside elevation of parapet view is exaggerated vertically to show reinforcement.
- 3.) Bars indicated thus 1x2-#8 etc. indicates 1 line of bars with 2 lengths per line.

DESIGNED	SDH
CHECKED	JML
DRAWN	DJM
CHECKED	MSW

DATE 10/08/10

Farnsworth GROUP, INC.
2709 McGraw Drive
Bloomington, Illinois 61704
309/663-8435, 309/663-1571 fax

SHEET NO. B10
23 SHEETS

F.A.P. RTE.	SECTION	COUNTY	TOTAL SHEETS	SHEET NO.
698	(101 BR)BR	BUREAU	47	24
CONTRACT NO. 66910				
FED. ROAD DIST. NO.	ILLINOIS	FED. AID PROJECT		

SUPERSTRUCTURE DETAILS
STRUCTURE NO. 006-0181