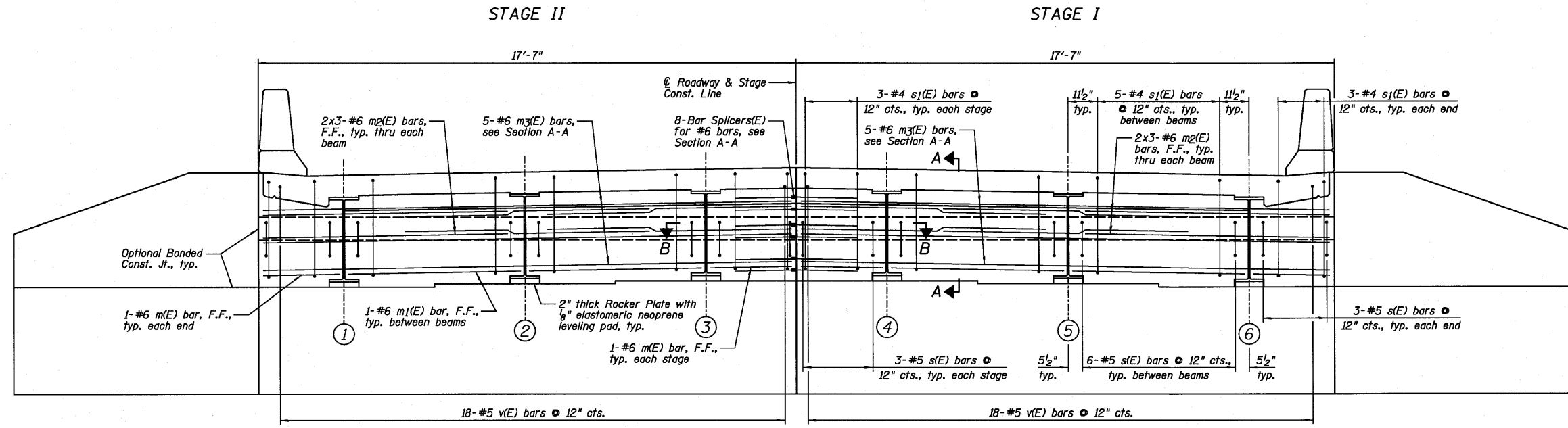
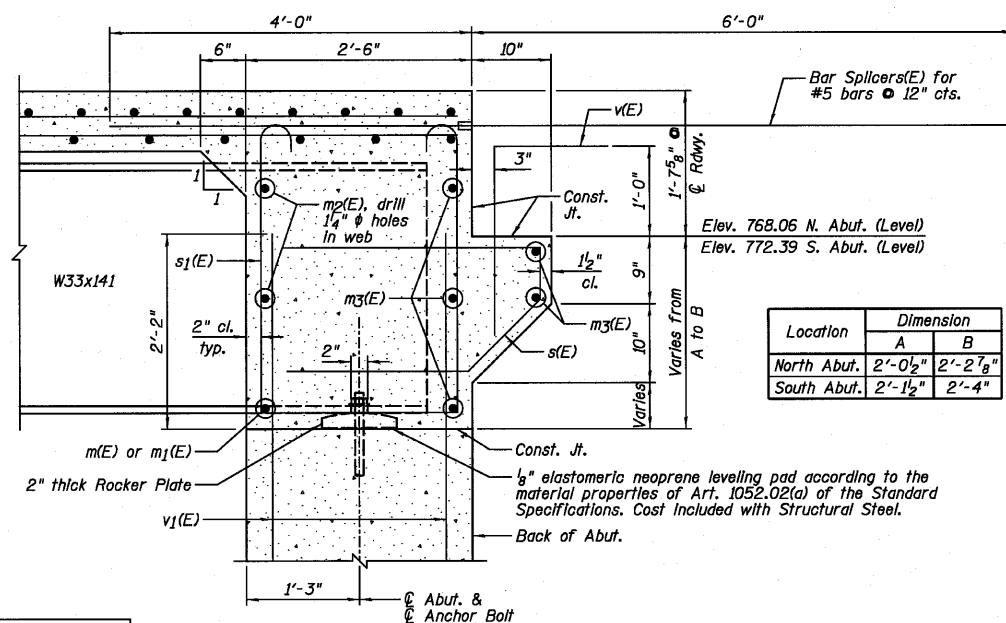


STATE OF ILLINOIS
DEPARTMENT OF TRANSPORTATION



ELEVATION OF DIAPHRAGM AT SOUTH ABUTMENT
(Similar for North Abutment)

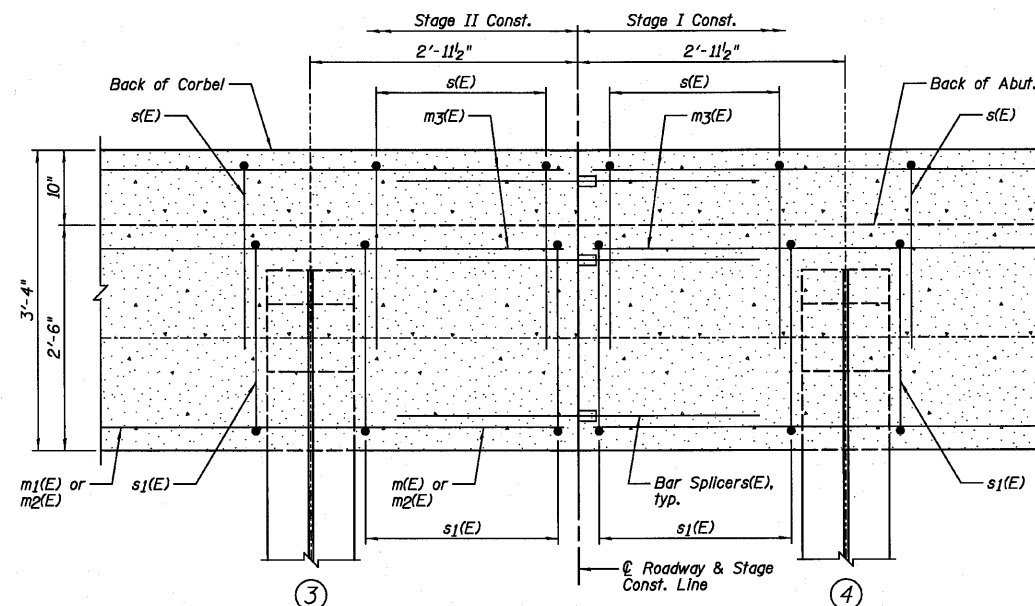
BAR LAP
#6 - 3'-4"



SECTION A-A

DESIGNED SDH
CHECKED JML
DRAWN DJM
CHECKED MSW

DATE 10/08/10



SECTION B-B

NOTES:

- 1.) Reinforcement bars in diaphragm are billed with Superstructure on Sheet B10.
- 2.) Concrete in diaphragm is included with Concrete Superstructure on Sheet B10.
- 3.) For details of bars s(E) and s1(E), see Sheet B10.
- 4.) See Sheet B16 for Fixed Bearing Details.
- 5.) F.F. denotes Front Face.
- 6.) See Sheet B21 for Bar Splicer Details.
- 7.) Bars indicated thus 2x3-#6 indicates 2 lines of bars with 3 lengths per line.

DIAPHRAGM DETAILS
STRUCTURE NO. 006-0181

<p>Farnsworth GROUP, INC. 2709 McGraw Drive Bloomington, Illinois 61704 309/663-8435, 309/663-1571 fax</p>	SHEET NO. B11 23 SHEETS	F.A.P. RTE.	SECTION	COUNTY	TOTAL SHEETS	SHEET NO.
		698	(101 BR)BR	BUREAU	47	25
		CONTRACT NO. 66910				
		FED. ROAD DIST. NO.	ILLINOIS FED. AID PROJECT			