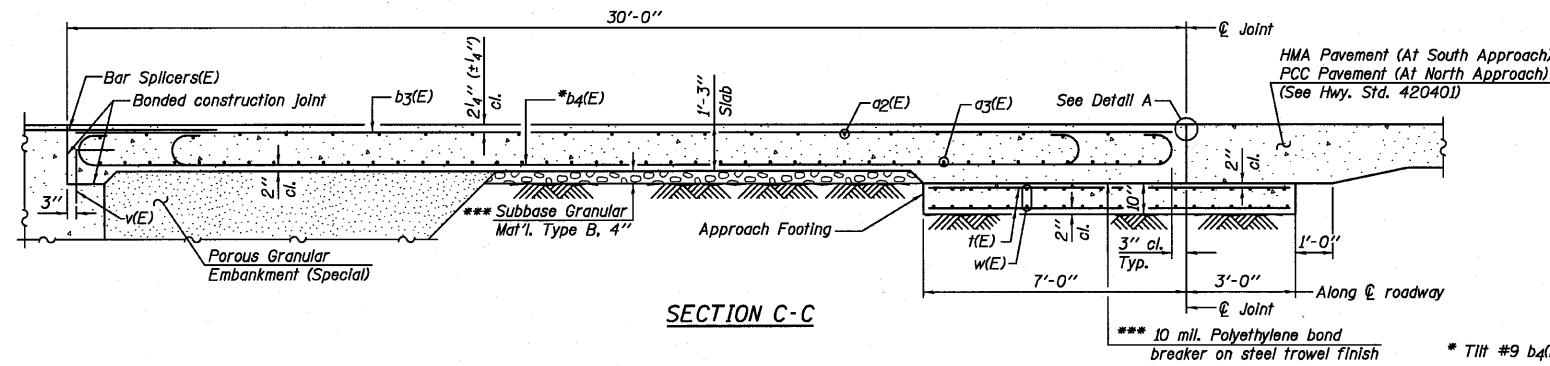
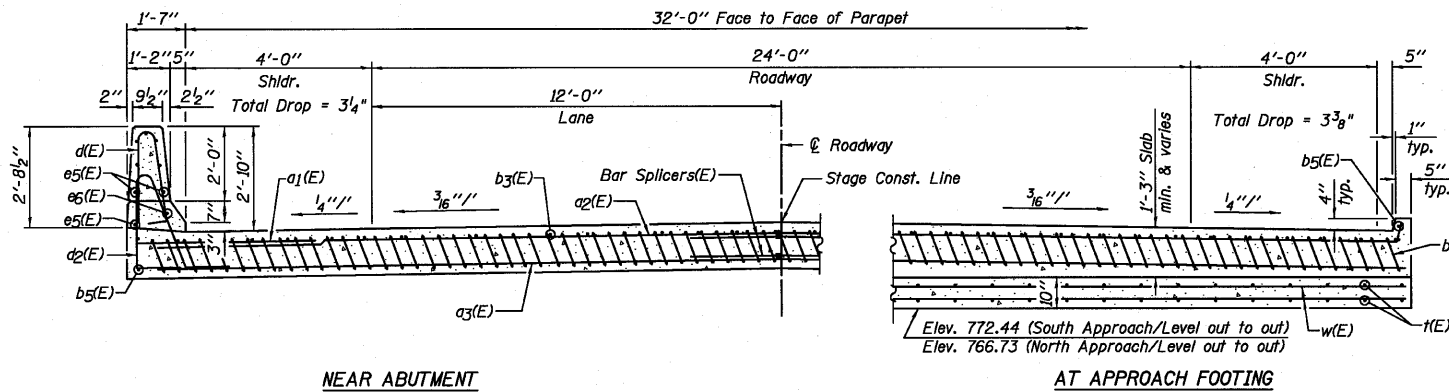
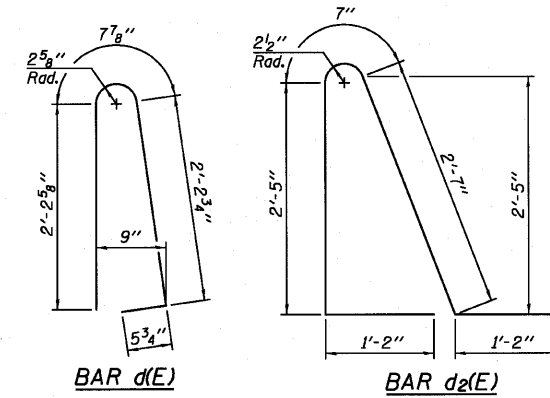


STATE OF ILLINOIS  
DEPARTMENT OF TRANSPORTATION

Notes:  
See Sheet B12 for Detail A and View B-B.  
Approach slab and parapet concrete shall be paid for as Concrete Superstructure.  
Approach footing concrete shall be paid for as Concrete Structures.  
Reinforcement shall be paid for as Reinforcement Bars, Epoxy Coated.  
For v(E) bar details, see Sheet B11.  
The approach footing maximum applied service bearing pressure (Qmax) = 2.0 ksf.  
For bar splicer details, see Sheet B21.  
Cost of excavation for approach footing included with Concrete Structures.  
For Porous Granular Embankment (Special) and drainage treatment details, see Sheet B2.  
For additional parapet details, see Sheet B10.



\* Tilt #9 b4(E) bars as required to maintain clearance.  
\*\*\* Cost included with Concrete Superstructure.



NEAR ABUTMENT

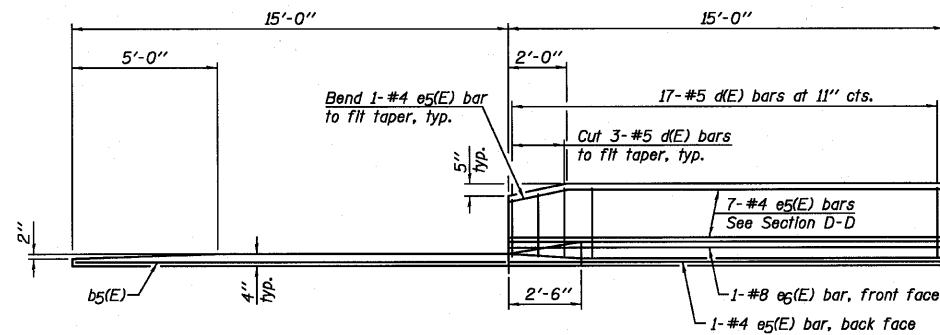
SECTION D-D

(See Plan for dimensions not shown)

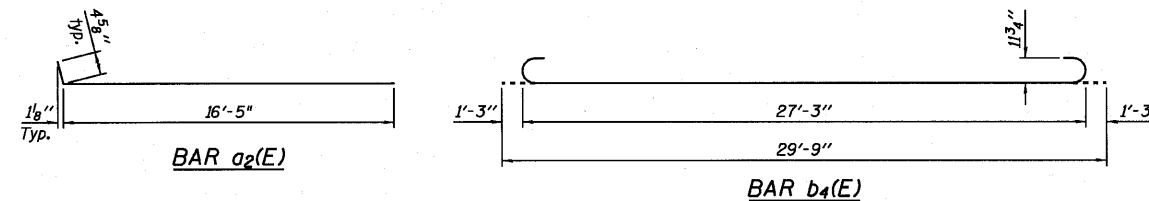
AT APPROACH FOOTING

TWO APPROACHES  
BILL OF MATERIAL

Bar	No.	Size	Length	Shape
a1(E)	48	#6	6'-6"	—
a2(E)	100	#4	16'-9"	—
a3(E)	184	#5	15'-11"	—
b3(E)	56	#4	29'-8"	—
b4(E)	160	#9	29'-9"	—
b5(E)	8	#4	14'-8"	—
d(E)	68	#5	5'-7"	U
d2(E)	68	#5	7'-11"	U
e5(E)	32	#4	14'-8"	—
e6(E)	4	#8	14'-8"	—
k(E)	136	#4	9'-8"	—
w(E)	160	#5	16'-7"	—
Item	Unit	Quantity		
Concrete Superstructure	Cu. Yd.	107.9		
Concrete Structures	Cu. Yd.	20.9		
Reinforcement Bars, Epoxy Coated	Pound	27,090		



VIEW E-E



DESIGNED	SDH
CHECKED	JML
DRAWN	DJM
CHECKED	MSW

DATE 10/08/10

BA-0

7-1-10

**Farnsworth**  
GROUP, INC.  
2709 McGraw Drive  
Bloomington, Illinois 61704  
309/663-8435, 309/663-1571 fax

SHEET NO. B13  
23 SHEETS

F.A.P. RTE.	SECTION	COUNTY	TOTAL SHEETS	SHEET NO.
698	(101 BR)BR	BUREAU	47	27
CONTRACT NO. 66910				
FED. ROAD DIST. NO.	ILLINOIS	FED. AID PROJECT		

BRIDGE APPROACH SLAB DETAILS  
STRUCTURE NO. 006-0181