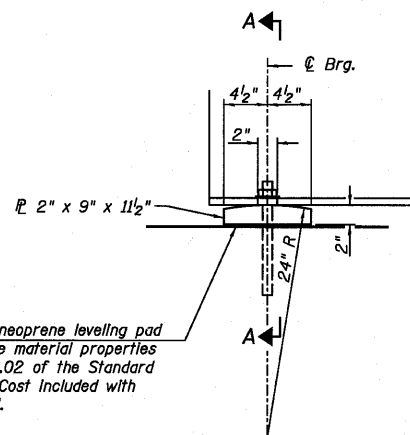


STATE OF ILLINOIS  
DEPARTMENT OF TRANSPORTATION



1/2" elastomeric neoprene leveling pad according to the material properties of Article 1052.02 of the Standard Specifications. Cost included with Structural Steel.

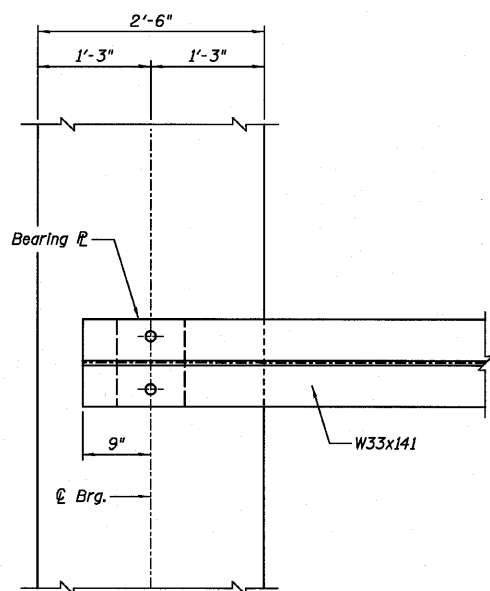
1"  $\phi$  x 12" anchor bolts with 2 1/4" x 2 1/4" x 5/16"  $\phi$  washer under nut. 1 3/8" x 2" slotted hole in flange. 1/2"  $\phi$  holes in bearing plate.

SECTION A-A

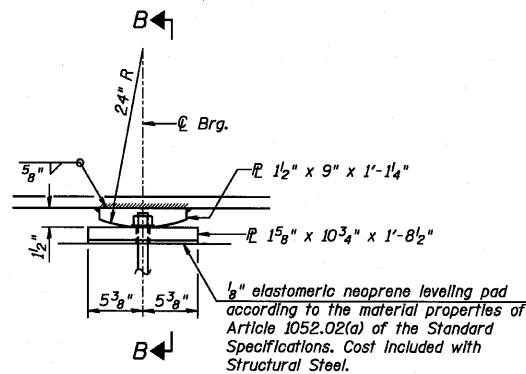
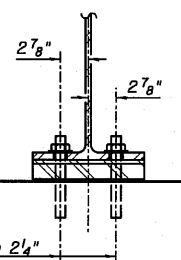
ELEVATION AT ABUTMENTS

**FIXED BEARING**

(At North Abutment - 6 Required)  
(At South Abutment - 6 Required)



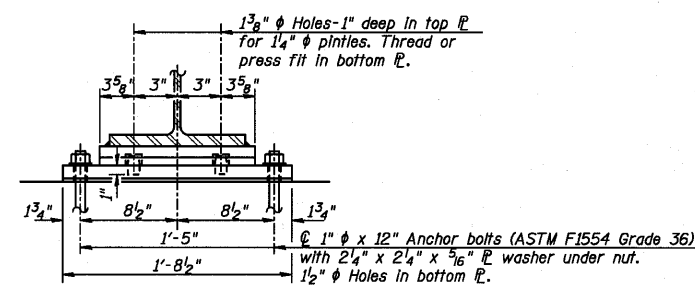
BEARING PLAN AT ABUTMENTS



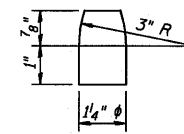
ELEVATION AT PIER

**FIXED BEARING**

(At Pier - 6 Required)



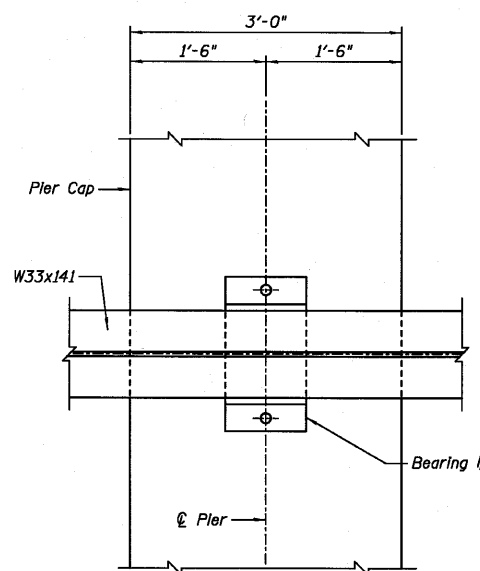
SECTION B-B



PINTLE

**Notes:**

Anchor bolts shall be ASTM F1554 all-thread (or an Engineer-approved alternate material) of the grade(s) and diameter(s) specified. ASTM A307 Grade C anchor bolts may be used in lieu of ASTM F1554 Grade 36 (Fy=36ksi). The corresponding specified grade of AASHTO M314 anchor bolts may be used in lieu of ASTM F1554.  
Anchor bolts at fixed bearings may be either cast in place or installed in holes drilled after the supported member is in place.  
Drilled and set anchor bolts shall be installed according to Article 521.06 of the Standard Specifications.



BEARING PLAN AT PIERS

**BILL OF MATERIAL**

Item	Unit	Total
Anchor Bolts, 1"	Each	36

DESIGNED	SDH
CHECKED	JML
DRAWN	DJM
CHECKED	MSW

DATE 10/08/10

**NOTE:**

Two 1/2 in. adjusting shims shall be provided for each bearing in addition to all other plates or shims and placed as shown on bearing details.

**Farnsworth GROUP, INC.**  
2709 McGraw Drive  
Bloomington, Illinois 61704  
309/663-8435, 309/663-1571 fax

SHEET NO. B16  
23 SHEETS

F.A.P. RTE.	SECTION	COUNTY	TOTAL SHEETS	SHEET NO.
698	(101 BR)BR	BUREAU	47	30
CONTRACT NO. 66910				
FED. ROAD DIST. NO.	ILLINOIS	FED. AID PROJECT		

**FIXED BEARING DETAILS  
STRUCTURE NO. 006-0181**