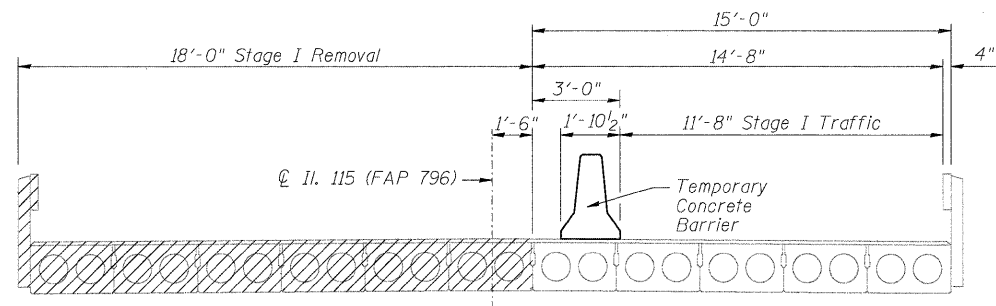
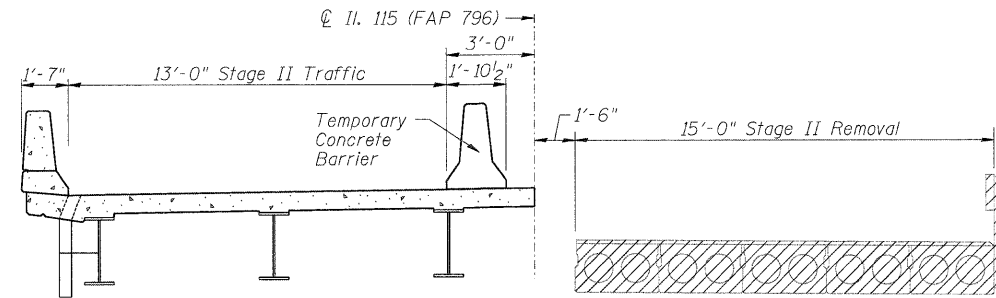


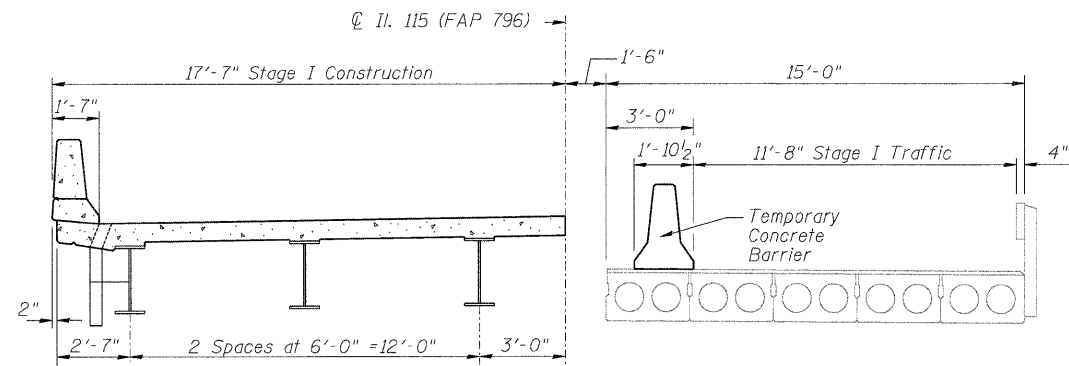
STATE OF ILLINOIS
DEPARTMENT OF TRANSPORTATION



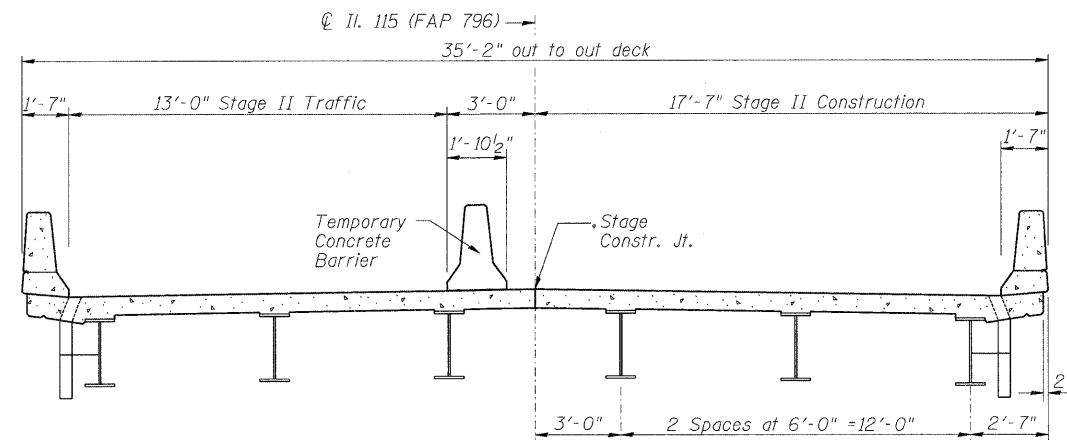
STAGE I REMOVAL
(Looking South)



STAGE II REMOVAL
(Looking South)



STAGE I CONSTRUCTION
(Looking South)



STAGE II CONSTRUCTION
(Looking South)

Notes:
Hatched areas indicate removal of existing structures.
For quantity of temporary concrete barrier, see Roadway Plans.

ZROKA engineering
Zroka Engineering, P.C.
4216 North Hermitage
Chicago, IL 60613

DESIGNED	LAS
CHECKED	JLA
DRAWN	SAW
CHECKED	LAS

STAGE CONSTRUCTION DETAILS
STRUCTURE NO. 027-0099

SHEET NO. 3 OF 21 SHEETS	F.A.P. RTE.	SECTION	COUNTY	TOTAL SHEETS	SHEET NO.
	796	(106)BR-3	FORD	48	14
SN 027-0099			CONTRACT NO. 66916		
FED. ROAD DIST. NO. _ ILLINOIS FED. AID PROJECT					

10/16/2010 8:07:04 PM C:\Drawings\5700-10\115\66916-003-StageConst.dgn