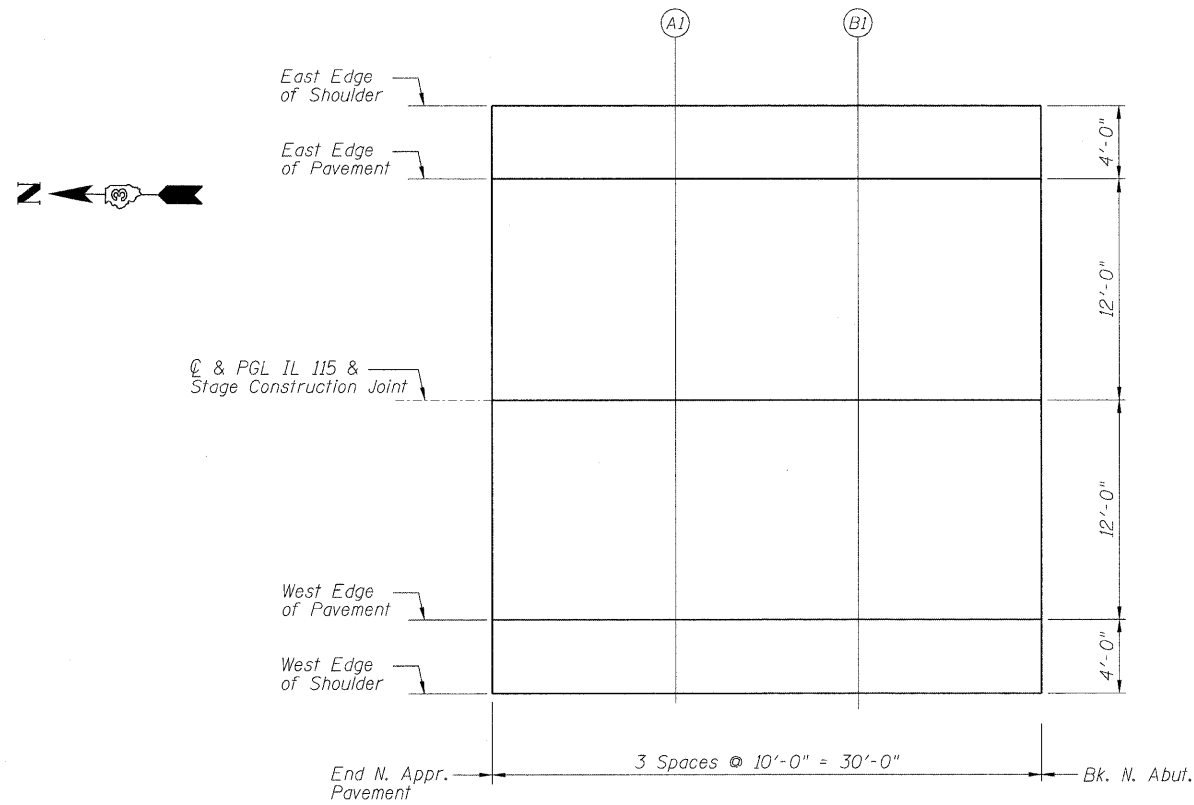


STATE OF ILLINOIS
DEPARTMENT OF TRANSPORTATION



PLAN FOR TOP OF SLAB ELEVATIONS

EAST EDGE OF SHOULDER

Location	Station	Offset	Theoretical Grade Elevations
End N. Appr. Pvmt.	1710+72.39	-16.00	659.05
A1	1710+82.39	-16.00	659.09
B1	1710+92.39	-16.00	659.12
Bk. N. Abut.	1711+02.39	-16.00	659.15

EAST EDGE OF PAVEMENT

Location	Station	Offset	Theoretical Grade Elevations
End N. Appr. Pvmt.	1710+72.39	-12.00	659.13
A1	1710+82.39	-12.00	659.17
B1	1710+92.39	-12.00	659.21
Bk. N. Abut.	1711+02.39	-12.00	659.23

C & PGL IL 115 & STAGE CONSTRUCTION JOINT

Location	Station	Offset	Theoretical Grade Elevations
End N. Appr. Pvmt.	1710+72.39	0.00	659.32
A1	1710+82.39	0.00	659.36
B1	1710+92.39	0.00	659.39
Bk. N. Abut.	1711+02.39	0.00	659.42

WEST EDGE OF PAVEMENT

Location	Station	Offset	Theoretical Grade Elevations
End N. Appr. Pvmt.	1710+72.39	12.00	659.13
A1	1710+82.39	12.00	659.17
B1	1710+92.39	12.00	659.21
Bk. N. Abut.	1711+02.39	12.00	659.23

WEST EDGE OF SHOULDER

Location	Station	Offset	Theoretical Grade Elevations
End N. Appr. Pvmt.	1710+72.39	16.00	659.05
A1	1710+82.39	16.00	659.09
B1	1710+92.39	16.00	659.12
Bk. N. Abut.	1711+02.39	16.00	659.15

ZROKA engineering
Zroka Engineering, P.C.
4216 North Hermitage
Chicago, IL 60613

DESIGNED	LAS
CHECKED	JLA
DRAWN	SAW
CHECKED	LAS

NORTH APPROACH
TOP OF SLAB ELEVATIONS
STRUCTURE NO. 027-0099

SHEET NO. 6 OF 21 SHEETS	F.A.P. RTE.	SECTION	COUNTY	TOTAL SHEETS	SHEET NO.
	796	(106)BR-3	FORD	48	17
SN 027-0099			CONTRACT NO. 66916		
FED. ROAD DIST. NO. _ ILLINOIS FED. AID PROJECT					

10/16/2010 8:07:42 PM C:\Drawings\5700-10\115\66916-006\1Appr\TSE.dgn