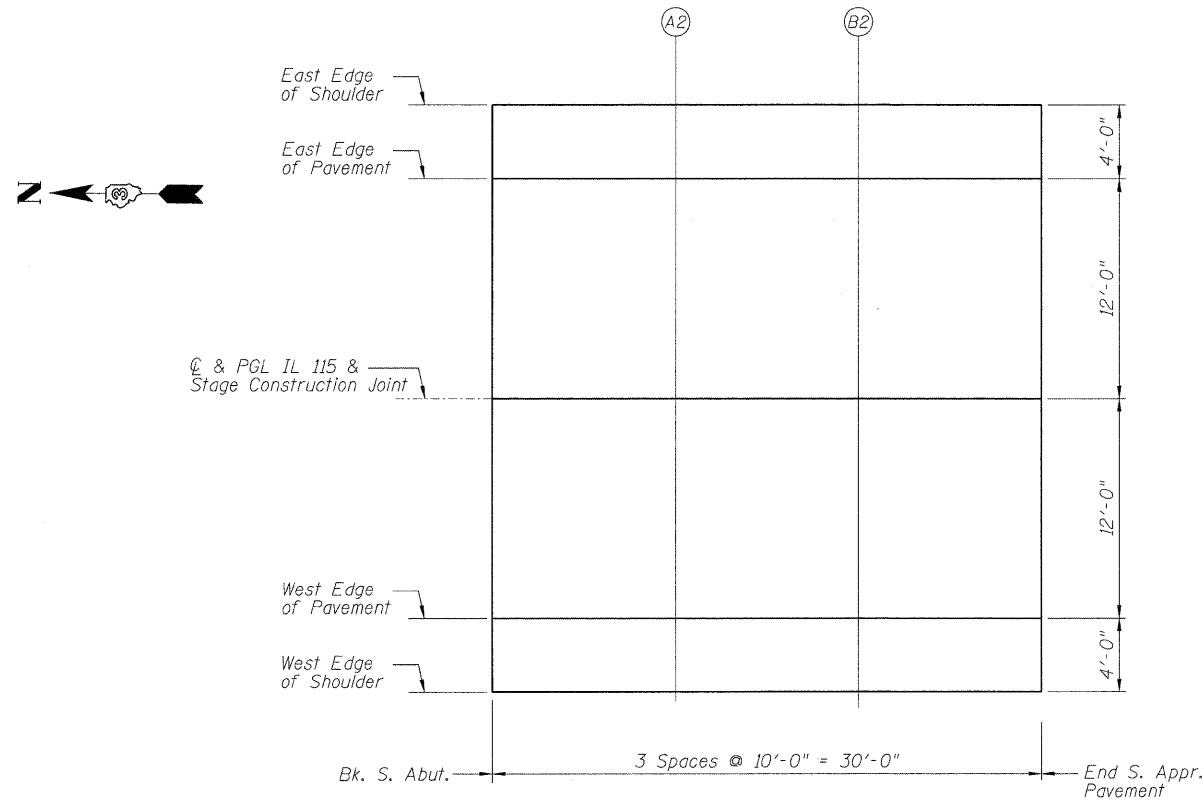


STATE OF ILLINOIS
DEPARTMENT OF TRANSPORTATION



PLAN FOR TOP OF SLAB ELEVATIONS

EAST EDGE OF SHOULDER

Location	Station	Offset	Theoretical Grade Elevations
Bk. S. Abut.	1711+72.39	-16.00	659.18
A2	1711+82.39	-16.00	659.16
B2	1711+92.39	-16.00	659.14
End S. Appr. Pvmf.	1712+02.39	-16.00	659.11

EAST EDGE OF PAVEMENT

Location	Station	Offset	Theoretical Grade Elevations
Bk. S. Abut.	1711+72.39	-12.00	659.26
A2	1711+82.39	-12.00	659.24
B2	1711+92.39	-12.00	659.22
End S. Appr. Pvmf.	1712+02.39	-12.00	659.19

C & PGL IL 115 & STAGE CONSTRUCTION JOINT

Location	Station	Offset	Theoretical Grade Elevations
Bk. S. Abut.	1711+72.39	0.00	659.45
A2	1711+82.39	0.00	659.43
B2	1711+92.39	0.00	659.41
End S. Appr. Pvmf.	1712+02.39	0.00	659.38

WEST EDGE OF PAVEMENT

Location	Station	Offset	Theoretical Grade Elevations
Bk. S. Abut.	1711+72.39	12.00	659.26
A2	1711+82.39	12.00	659.24
B2	1711+92.39	12.00	659.22
End S. Appr. Pvmf.	1712+02.39	12.00	659.19

WEST EDGE OF SHOULDER

Location	Station	Offset	Theoretical Grade Elevations
Bk. S. Abut.	1711+72.39	16.00	659.18
A2	1711+82.39	16.00	659.16
B2	1711+92.39	16.00	659.14
End S. Appr. Pvmf.	1712+02.39	16.00	659.11

ZROKA engineering
Zroka Engineering, P.C.
4216 North Hermitage
Chicago, IL 60613

DESIGNED	LAS
CHECKED	JLA
DRAWN	SAW
CHECKED	LAS

SOUTH APPROACH
TOP OF SLAB ELEVATIONS
STRUCTURE NO. 027-0099

SHEET NO. 7 OF 21 SHEETS	F.A.P. RTE.	SECTION	COUNTY	TOTAL SHEETS	SHEET NO.
	796	(106)BR-3	FORD	48	18
SN 027-0099			CONTRACT NO. 66916		
FED. ROAD DIST. NO. _		ILLINOIS FED. AID PROJECT			

10/16/2010 8:07:56 PM C:\Drawings\5700-0\1115\66916-007-SApprTSE.dgn