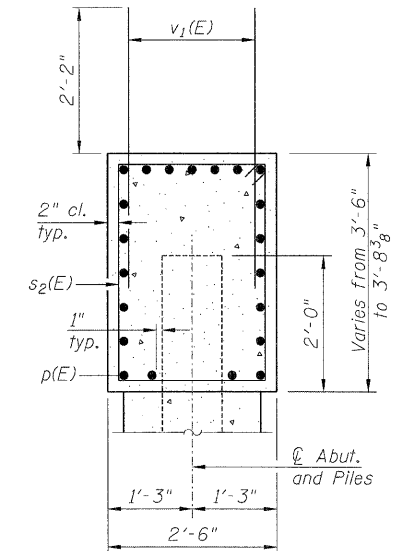
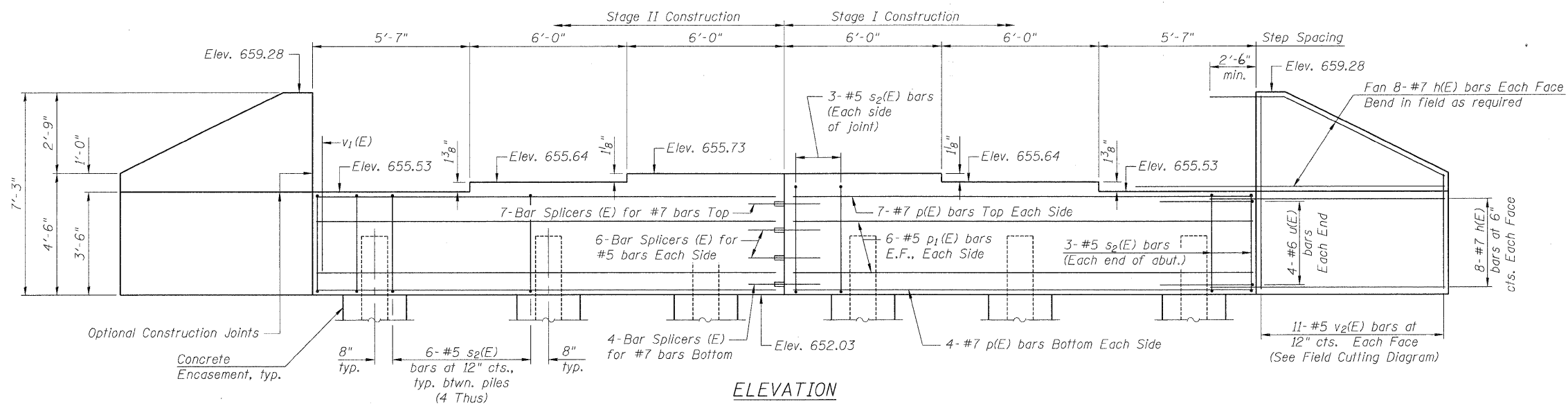


STATE OF ILLINOIS  
DEPARTMENT OF TRANSPORTATION

Notes:  
Pour steps monolithically with cap.

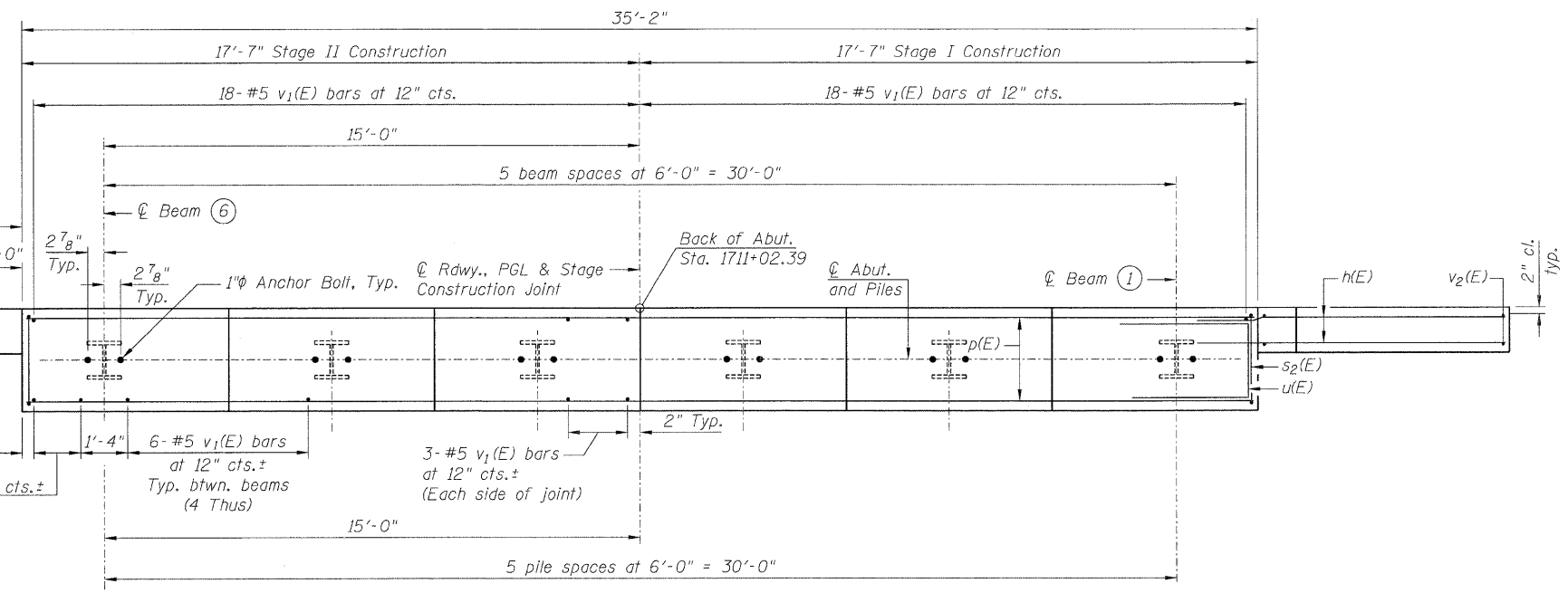


SEC. THRU ABUT.

BILL OF MATERIAL

Bar	No.	Size	Length	Shape
h(E)	64	#7	12'-11"	—
p(E)	22	#7	17'-3"	—
p1(E)	24	#5	17'-3"	—
s2(E)	36	#5	11'-7"	□
u(E)	8	#6	10'-11"	□
v1(E)	72	#5	4'-4"	—
v2(E)	22	#5	11'-0"	—
Structure Excavation			Cu. Yd.	71
Concrete Structures			Cu. Yd.	16.2
Reinforcement Bars, Epoxy Coated			Pound	4,480
Furnishing Steel Piles, HP12x53			Foot	126
Driving Piles			Foot	126
Concrete Encasement			Cu. Yd.	2.0

For details of Bar Splicers, see sheet 17 of 21.  
For details of piles and Concrete Encasement, see sheet 18 of 21.  
Space reinforcement in cap to miss anchor bolts.



PLAN

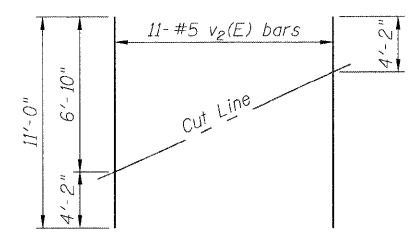
PILE DATA

Type: Steel HP12x53  
Nominal Required Bearing: 278k  
Factored Resistance Available: 153k  
Est. Length: 21'  
No. Production Piles: 6  
No. Test Piles: 0

**ZROKA** engineering  
Zroka Engineering, P.C.  
4216 North Hermitage  
Chicago, IL 60613

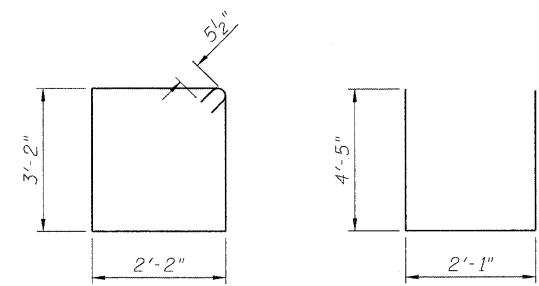
DESIGNED	LAS
CHECKED	JLA
DRAWN	SAW
CHECKED	LAS

AI-0 11-1-09



FIELD CUTTING DIAGRAM

Order v2(E) full length. Cut as shown and use remainder of bars in opposite face.



BAR s2(E)

BAR u(E)

NORTH ABUTMENT  
STRUCTURE NO. 027-0099

SHEET NO. 15 OF 21 SHEETS	F.A.P. RTE.	SECTION	COUNTY	TOTAL SHEETS	SHEET NO.
	796	(106)BR-3	FORD	48	26
SN 027-0099			CONTRACT NO. 66916		
FED. ROAD DIST. NO. ILLINOIS FED. AID PROJECT					

10/16/2010 8:09:43 PM C:\Drawings\5700-01\115166916-015-NAbut.dgn