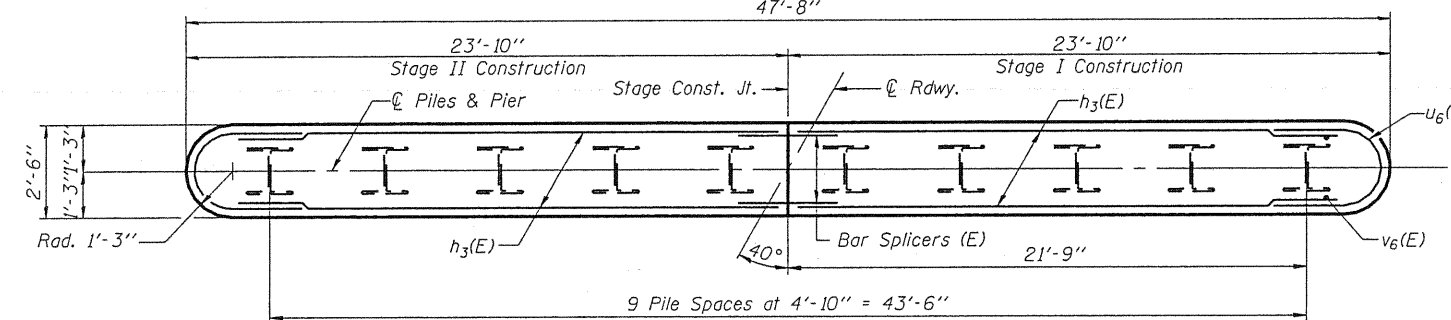
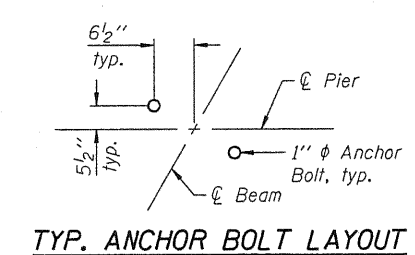
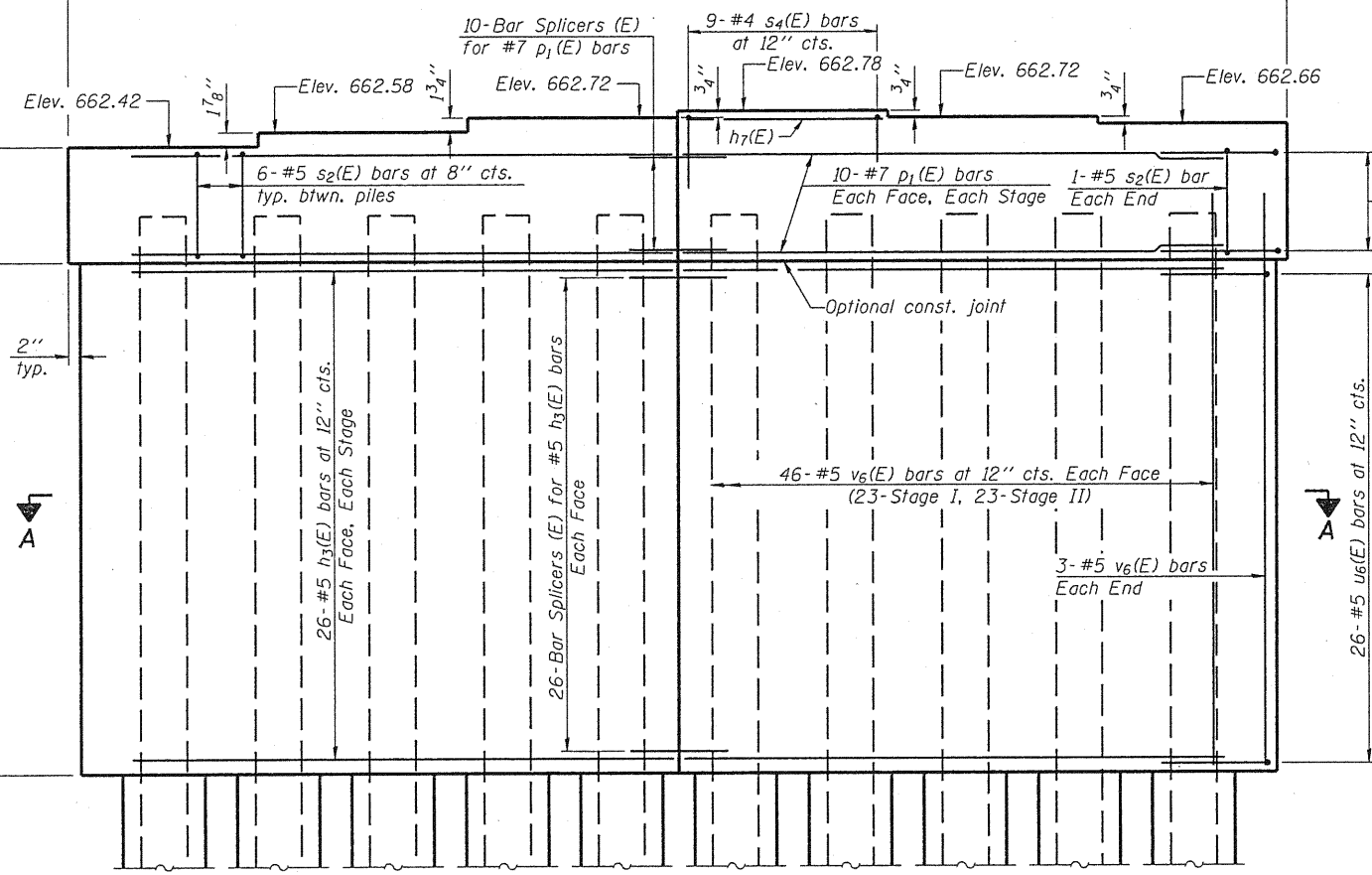
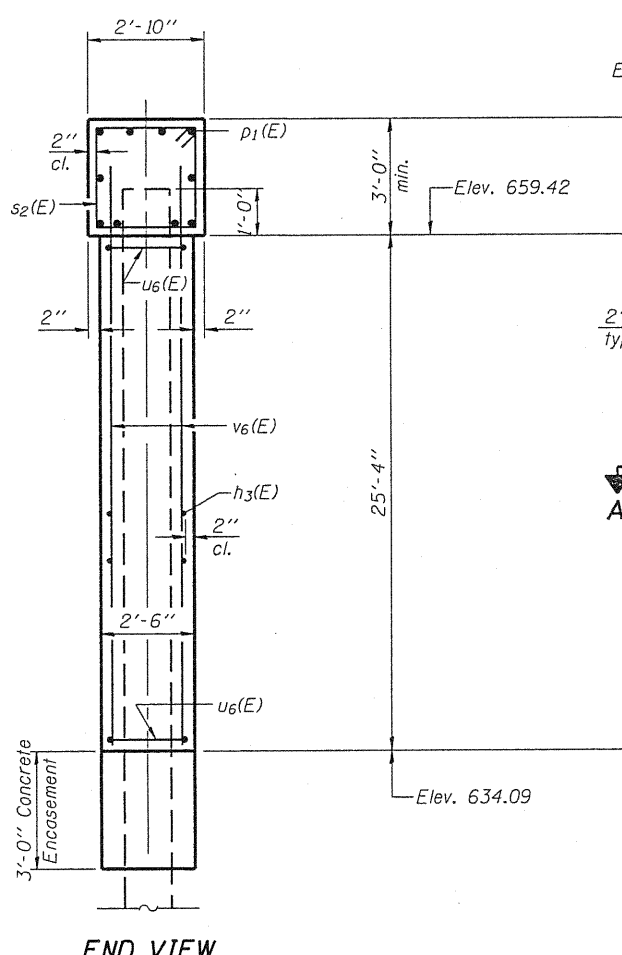
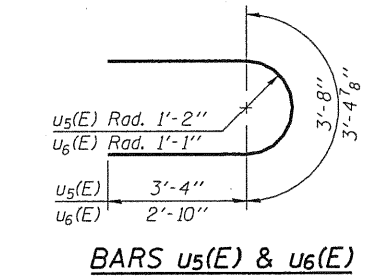
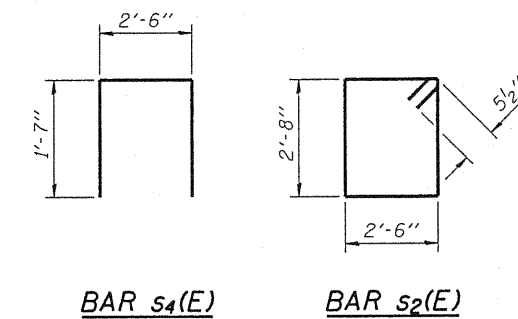
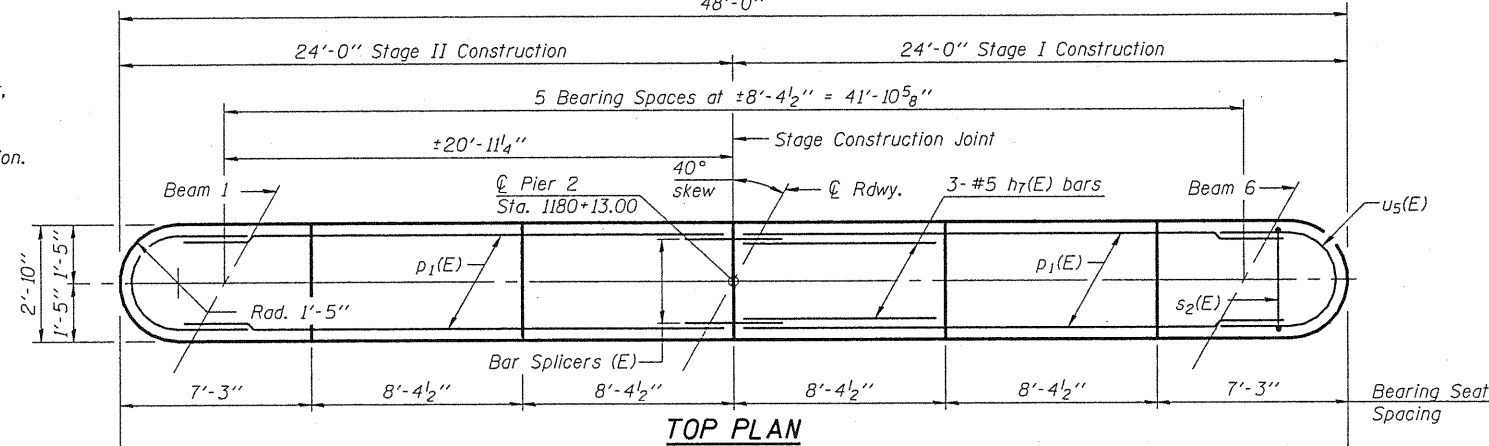


STATE OF ILLINOIS  
DEPARTMENT OF TRANSPORTATION

Notes:  
Space reinforcement in cap to miss anchor bolts.  
Pour steps monolithically with cap.  
For details of piles and Concrete Encasement, see sheet 24 of 27.  
For details of Bar Splicers, see sheet 25 of 27.  
If a portion of the pier wall or concrete encasement is under water, reinforcement may be placed underwater into forms. Concrete shall be tremied according to Article 503.08 of the Standard Specifications to an elevation of 1'-0" above the water line at the time of construction.

**PILE DATA**

Type: Steel-HP14x73  
Nominal Required Bearing: Set in Rock  
Factored Resistance Available: 270 kips  
Est. Length: 42 feet  
No. Production Piles: 10  
No. Test Piles: 0  
Estimated Top of Rock Elevation: 624.90  
Rock Socket Depth: 6.5 feet  
Rock Socket Diameter: 24 inches



**BILL OF MATERIAL**

Bar	No.	Size	Length	Shape
h <sub>3</sub> (E)	104	#5	22'-5"	—
h <sub>7</sub> (E)	3	#5	8'-0"	—
p <sub>1</sub> (E)	20	#7	22'-5"	—
s <sub>2</sub> (E)	56	#5	11'-3"	□
s <sub>4</sub> (E)	9	#4	5'-8"	□
u <sub>5</sub> (E)	6	#6	10'-4"	U
u <sub>6</sub> (E)	52	#5	9'-1"	U
v <sub>6</sub> (E)	98	#5	26'-9"	—
Structure Excavation	Cu. Yd.		36	
Concrete Structures	Cu. Yd.		126.6	
Concrete Encasement	Cu. Yd.		5.5	
Reinforcement Bars, Epoxy Coated	Pound		7380	
Furnishing Steel Piles HP14x73	Foot		420	
Setting Piles in Rock	Each		10	
Concrete Sealer	Sq. Ft.		2960	
Underwater Structure Excavation Protection - Location 2	Each		1	

**PIER 2  
STRUCTURE NO. 094-0051**

**MAURER & STUTZ, INC.**  
ENGINEERS SURVEYORS

DESIGNED - BAS  
CHECKED - KEF  
DRAWN - SGM  
CHECKED - BAS

SHEET NO. 23 27 SHEETS	F.A.P. RTE. 310	SECTION (28B)BR-1	COUNTY WARREN	TOTAL SHEETS 71	SHEET NO. 47
	CONTRACT NO. 68661				
FED. ROAD DIST. NO. ILLINOIS FED. AID PROJECT					