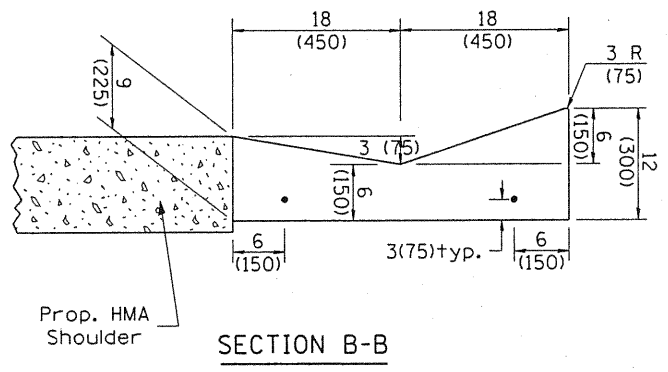
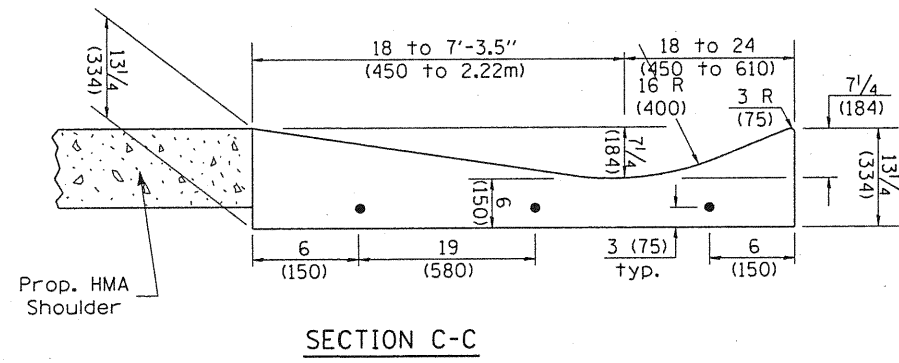


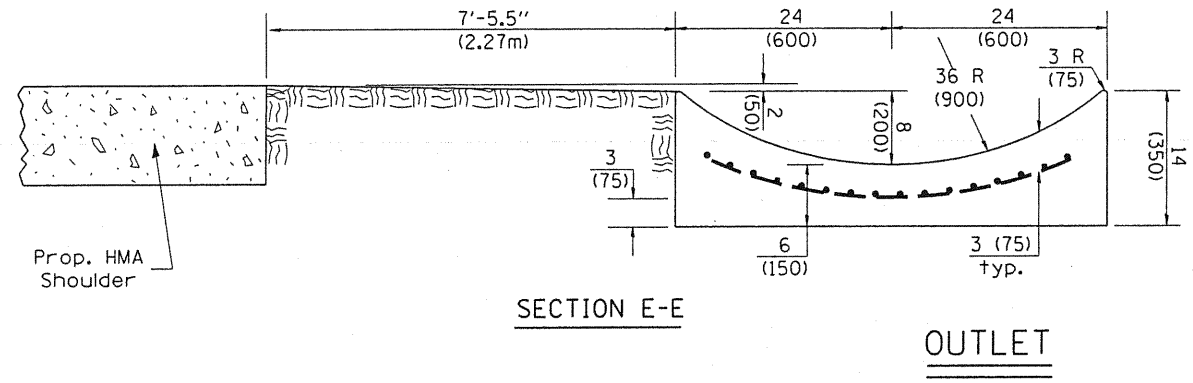
SECTION A-A



SECTION B-B

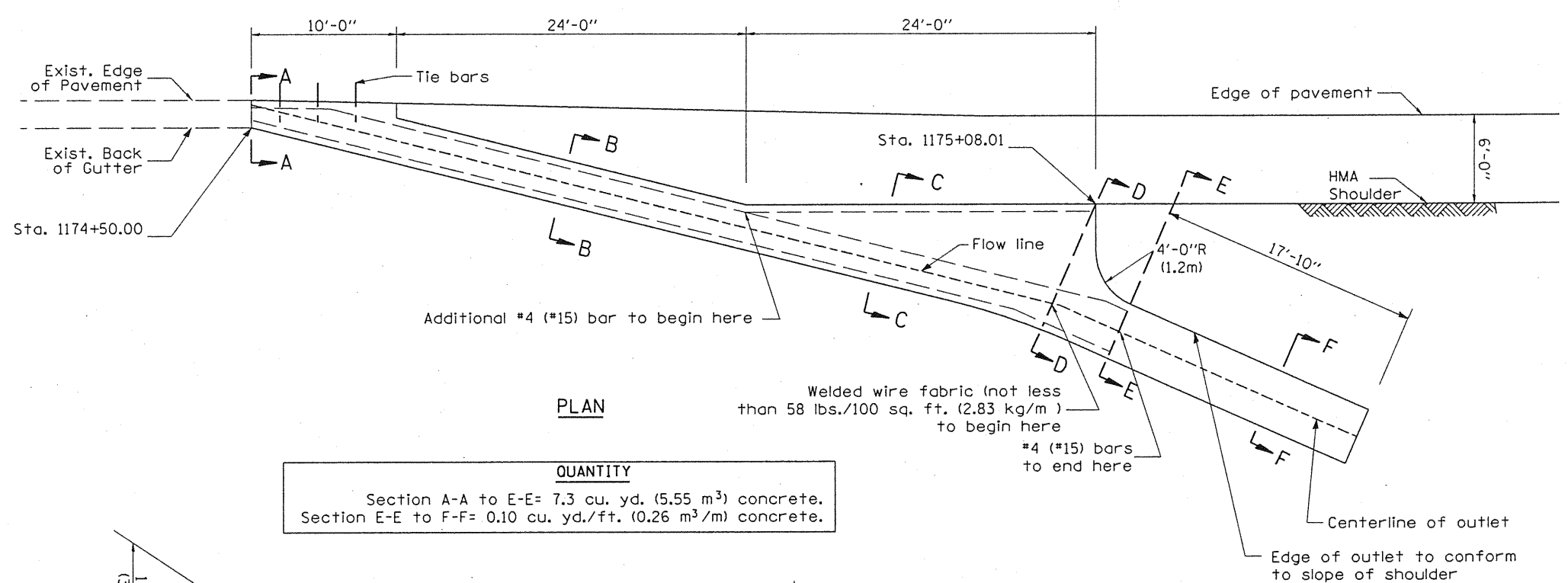


SECTION C-C



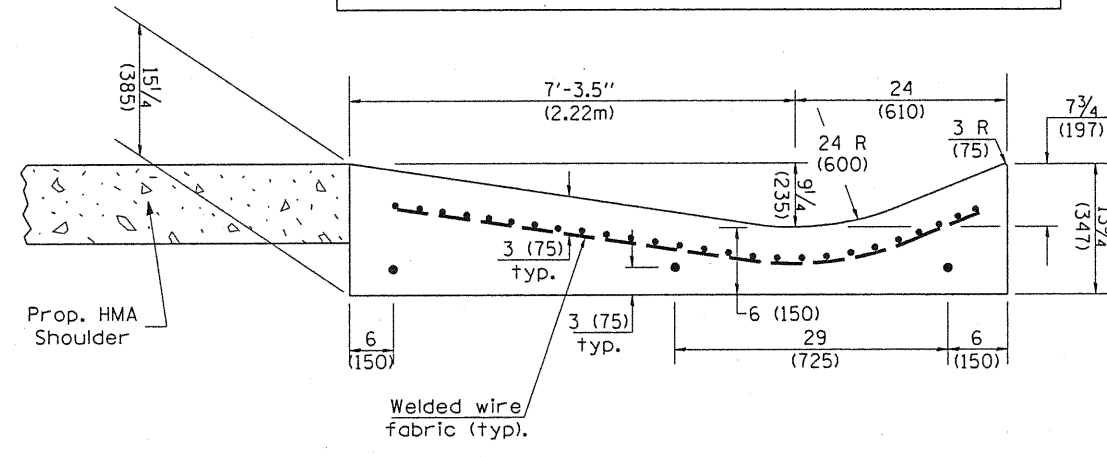
SECTION E-E

OUTLET

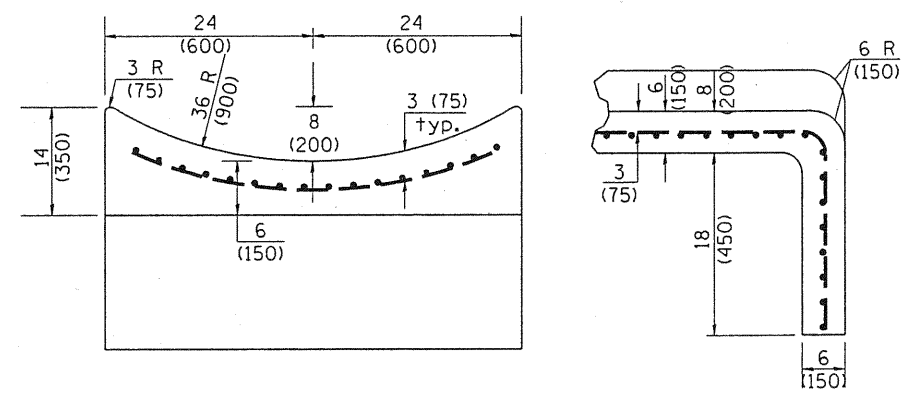


PLAN

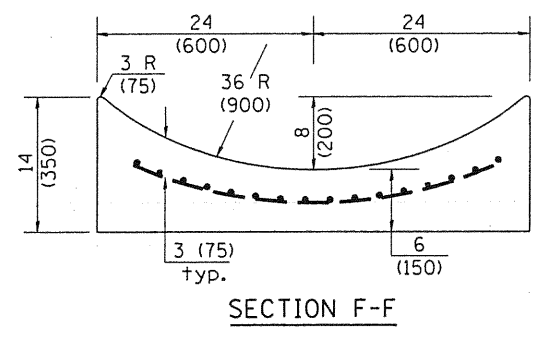
QUANTITY
 Section A-A to E-E= 7.3 cu. yd. (5.55 m³) concrete.
 Section E-E to F-F= 0.10 cu. yd./ft. (0.26 m³/m) concrete.



SECTION D-D



SECTIONS AT END OF OUTLET
(CURTAIN WALL)



SECTION F-F

QUANTITY
 Curtain Wall = 0.1 cu. yd. (0.08 m³) concrete.

All dimensions are in inches (millimeters) unless otherwise noted.

STATE OF ILLINOIS
 DEPARTMENT OF TRANSPORTATION

US 67 OVER CEDAR CREEK
 SPECIAL DETAIL - GUTTER OUTLET (SPECIAL) #1

NOT TO SCALE

F.A.P. RTE.	SECTION	COUNTY	TOTAL SHEETS	SHEET NO.
310	28B(BR-1)	WARREN	71	52
CONTRACT NO. 68661				
FED. ROAD DIST. NO.		ILLINOIS FED. AID PROJECT		