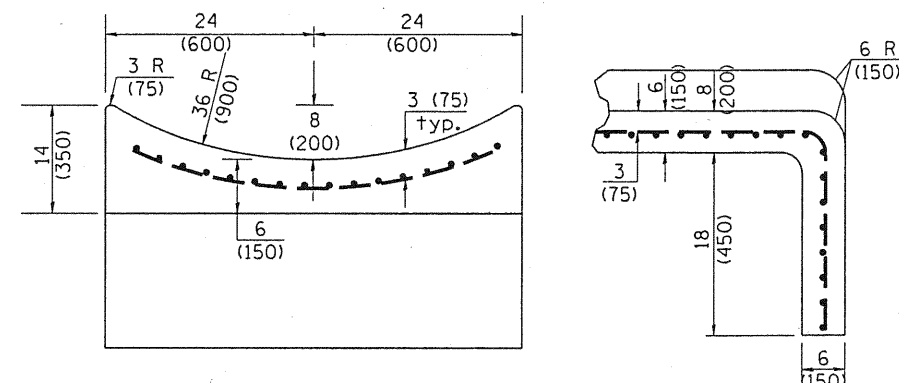
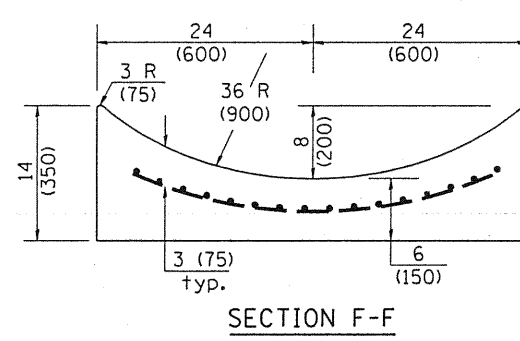


QUANTITY
 Section A-A to E-E= 7.5 cu. yd. (5.72 m³) concrete.
 Section E-E to F-F= 0.10 cu. yd./ft. (0.26 m³/m) concrete.



QUANTITY
 Curtain Wall = 0.1 cu. yd. (0.08 m³) concrete.



OUTLET

All dimensions are in inches (millimeters) unless otherwise noted.

STATE OF ILLINOIS DEPARTMENT OF TRANSPORTATION		US 67 OVER CEDAR CREEK SPECIAL DETAIL - GUTTER OUTLET (SPECIAL) #2		F.A.P. RTE.	SECTION	COUNTY	TOTAL SHEETS	SHEET NO.
		NOT TO SCALE		310	(28B)BR-1	WARREN	71	53
				CONTRACT NO. 68661				
				FED. ROAD DIST. NO. ILLINOIS FED. AID PROJECT				