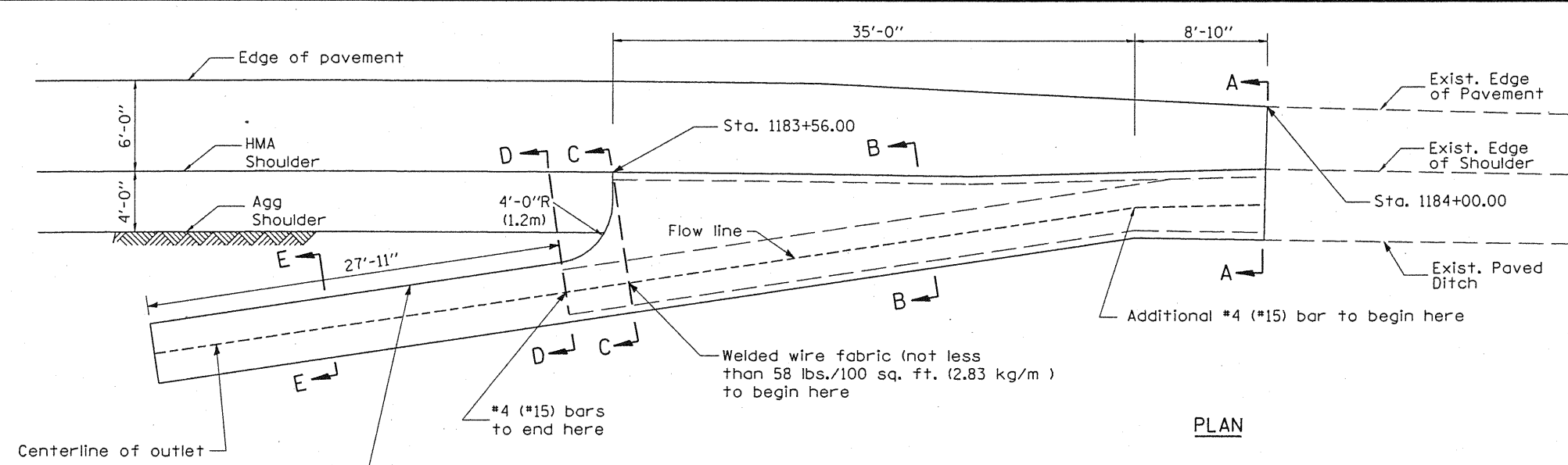
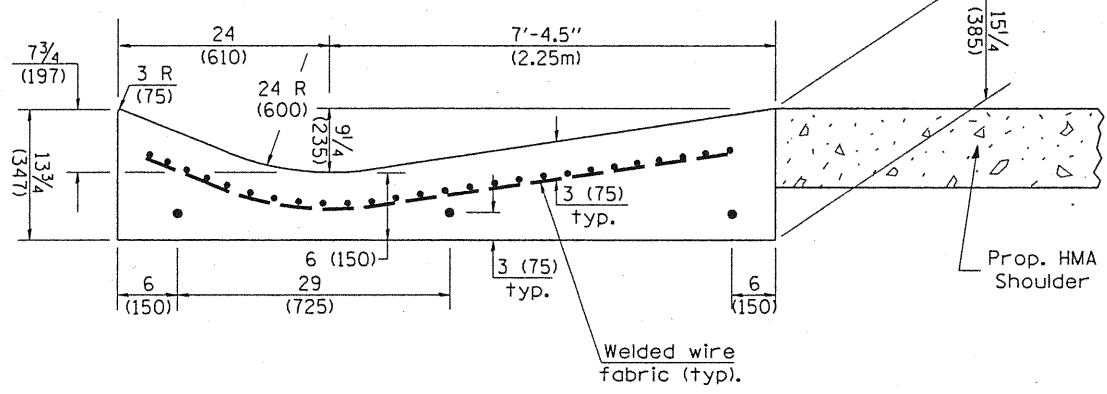


SECTION A-A

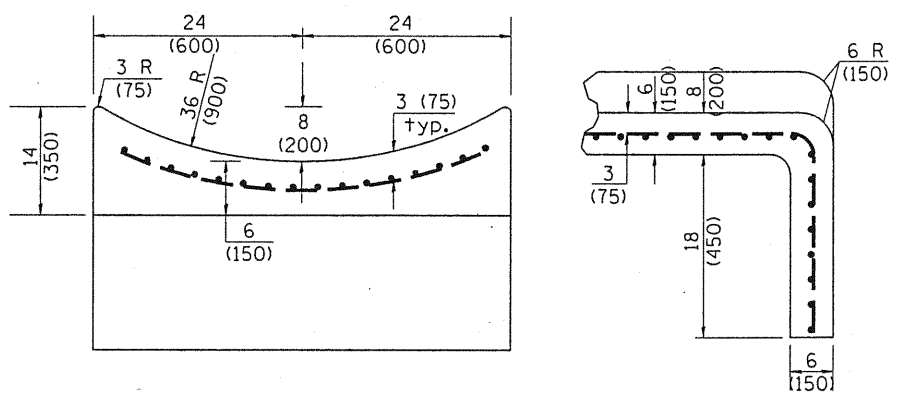


PLAN

QUANTITY
 Section A-A to D-D= 8.1 cu. yd. (6.19 m³) concrete.
 Section D-D to E-E= 0.10 cu. yd./ft. (0.26 m³/m) concrete.

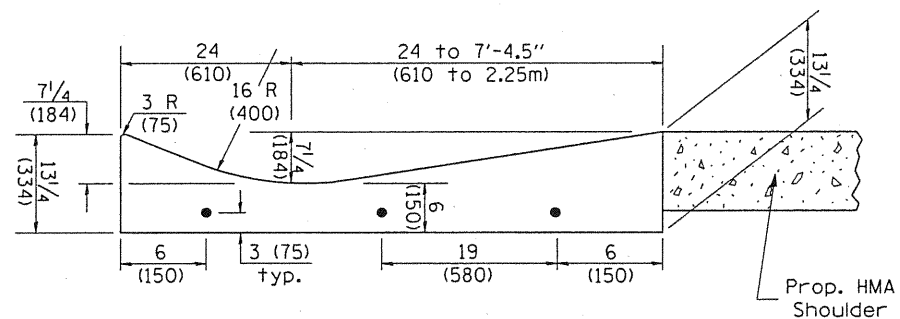


SECTION C-C

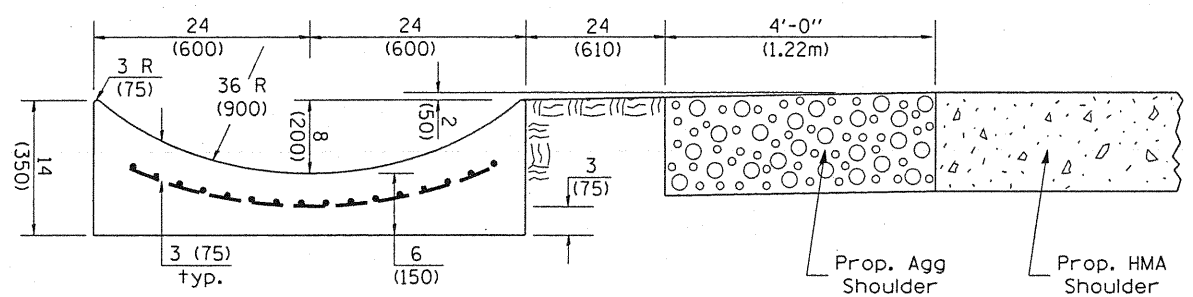


SECTIONS AT END OF OUTLET
(CURTAIN WALL)

QUANTITY
 Curtain Wall = 0.1 cu. yd.
 (0.08 m³) concrete.

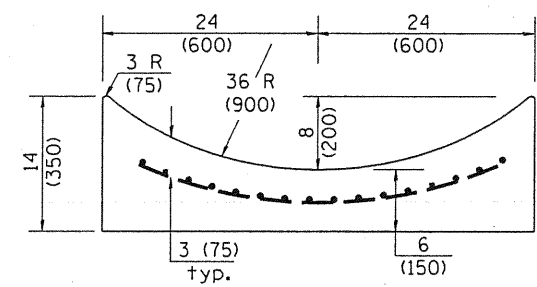


SECTION B-B



SECTION D-D

OUTLET



SECTION E-E

All dimensions are in inches (millimeters) unless otherwise noted.

STATE OF ILLINOIS DEPARTMENT OF TRANSPORTATION		US 67 OVER CEDAR CREEK SPECIAL DETAIL - GUTTER OUTLET (SPECIAL) #3		F.A.P. RTE. SECTION COUNTY TOTAL SHEETS SHEET NO.	
		NOT TO SCALE		310 (28B)BR-1 WARREN 71 54	
				CONTRACT NO. 68661	
				FED. ROAD DIST. NO. ILLINOIS FED. AID PROJECT	