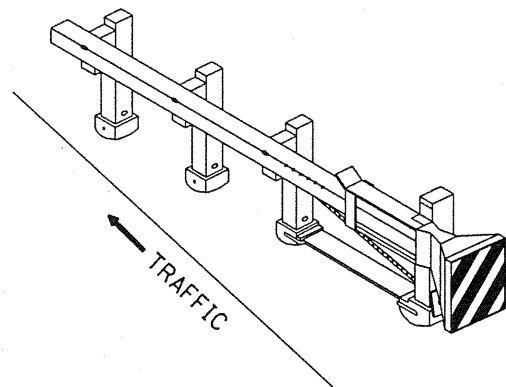
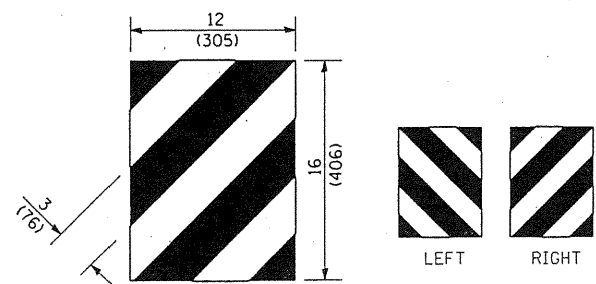


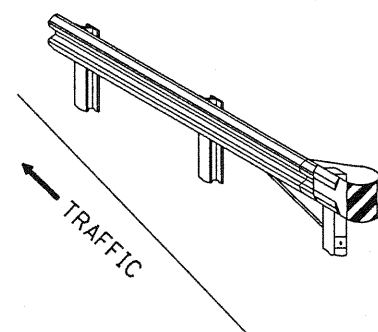
For Traffic Barrier Terminal Type 1 (Special)



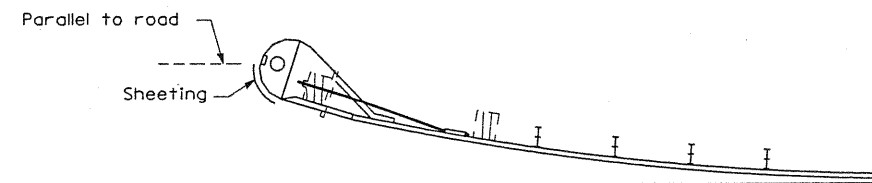
Standard Treatment - Direct Applied Sheeting
Traffic Barrier Terminal Type 1 (Special)



For Traffic Barrier Terminal Type (*)
and Post Mount
• See Plans for Type



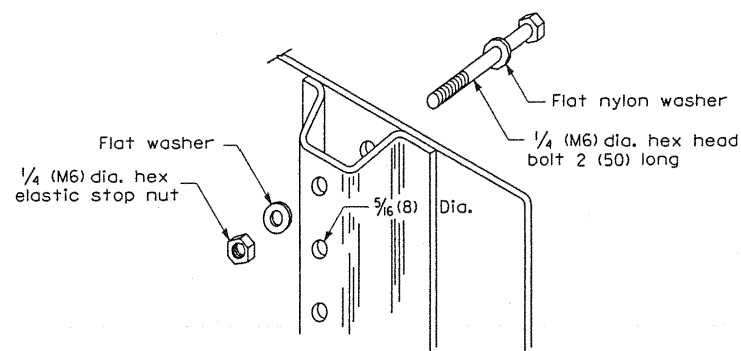
Standard Treatment - Direct Applied Sheeting
Traffic Barrier Terminal Type (*)
• See Plans for Type



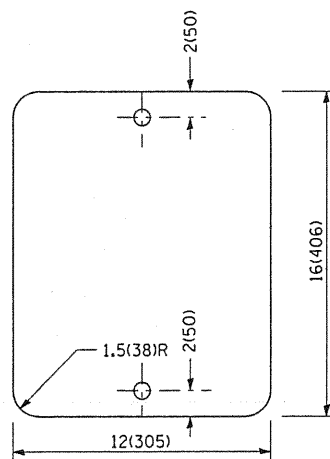
Sheeting Position for
Traffic Barrier Terminal Type (*)
• See Plans for Type

TERMINAL MARKER DETAILS

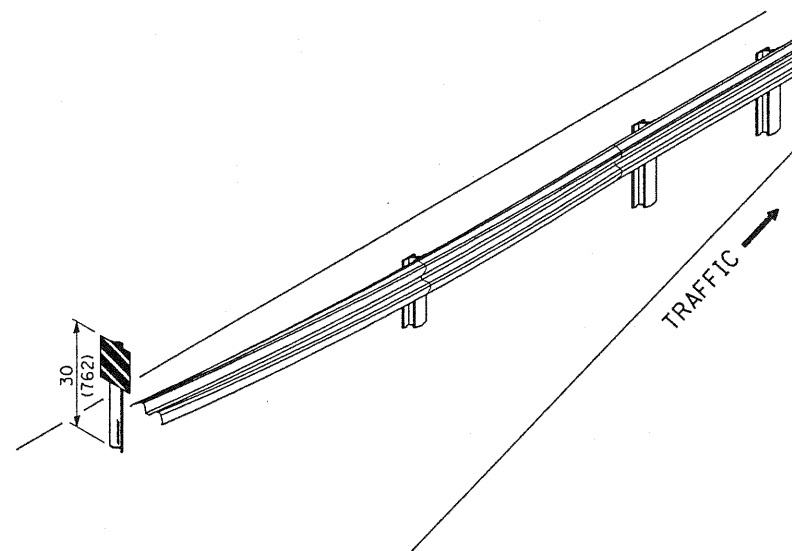
- Color: Black / Yellow reflectorized
- OM - I100 (L or R) Direct applied reflective sheeting
- OM - I200 (L or R) Post mounted



DETAIL OF MOUNTING TERMINAL MARKER TO POST



STANDARD TERMINAL MARKER



ALTERNATE TREATMENT - POST MOUNTED
(For turned-down terminal where sheeting cannot be direct applied)

TERMINAL MARKER TREATMENTS

GENERAL NOTES

All dimensions are in inches (millimeters) unless otherwise noted.

POST MOUNTED TERMINAL MARKER ASSEMBLY

STATE OF ILLINOIS
DEPARTMENT OF TRANSPORTATION

GUARDRAIL AND BARRIER WALL DELINEATION

NOT TO SCALE

SHT. 2 OF 3
CADD STD. 635101-D4

F.A.P. RTE.	SECTION	COUNTY	TOTAL SHEETS	SHEET NO.
310	(28B)BR-1	WARREN	71	63
FED. ROAD DIST. NO.			ILLINOIS FED. AID PROJECT	

CONTRACT NO. 68661