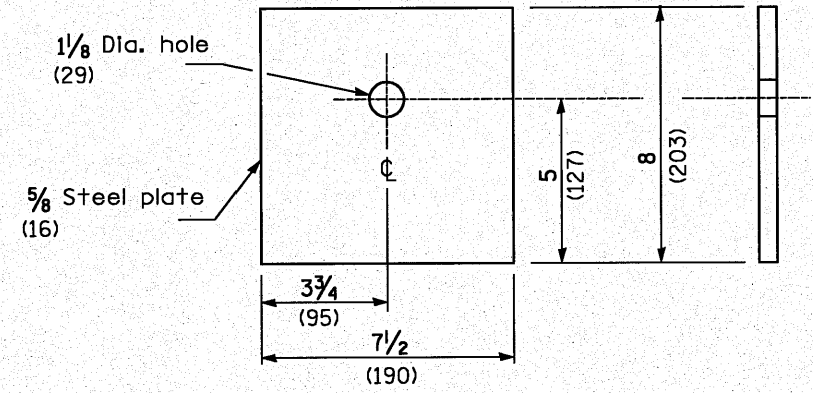
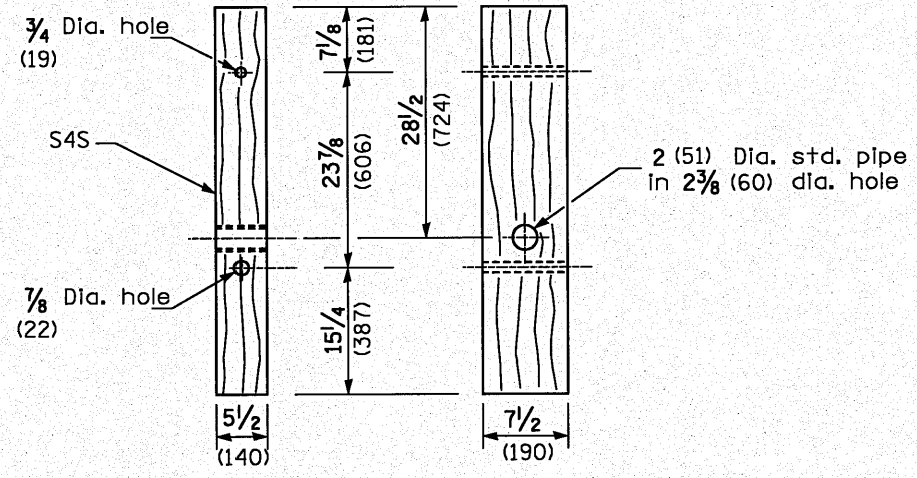


DATE	
BY	
DESIGNED	
DRAWN	
CHECKED	
FILE NO.	

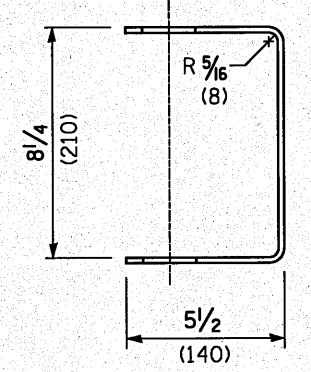
DATE	
BY	
DESIGNED	
DRAWN	
CHECKED	
FILE NO.	



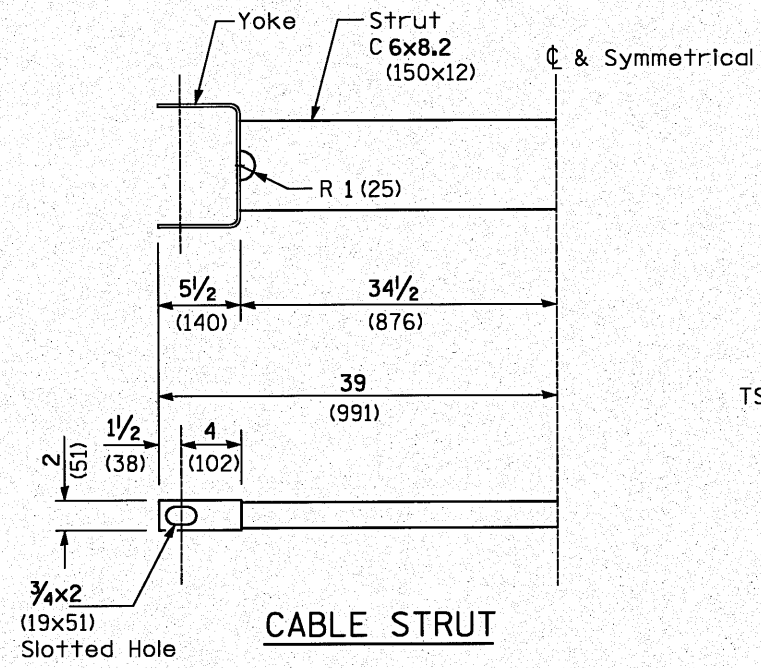
BEARING PLATE K



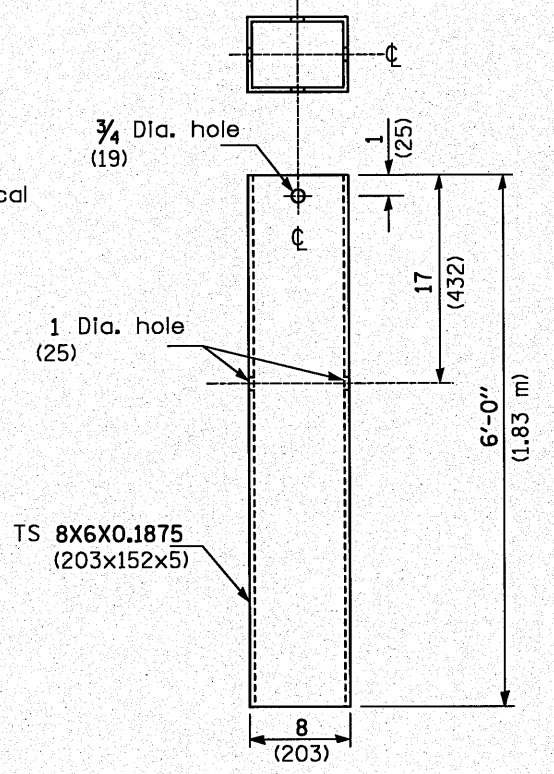
WOOD POST



YOKE
3/16 (5) thick steel



CABLE STRUT



STEEL TUBE

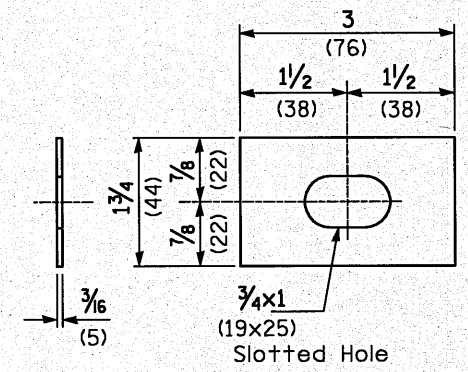
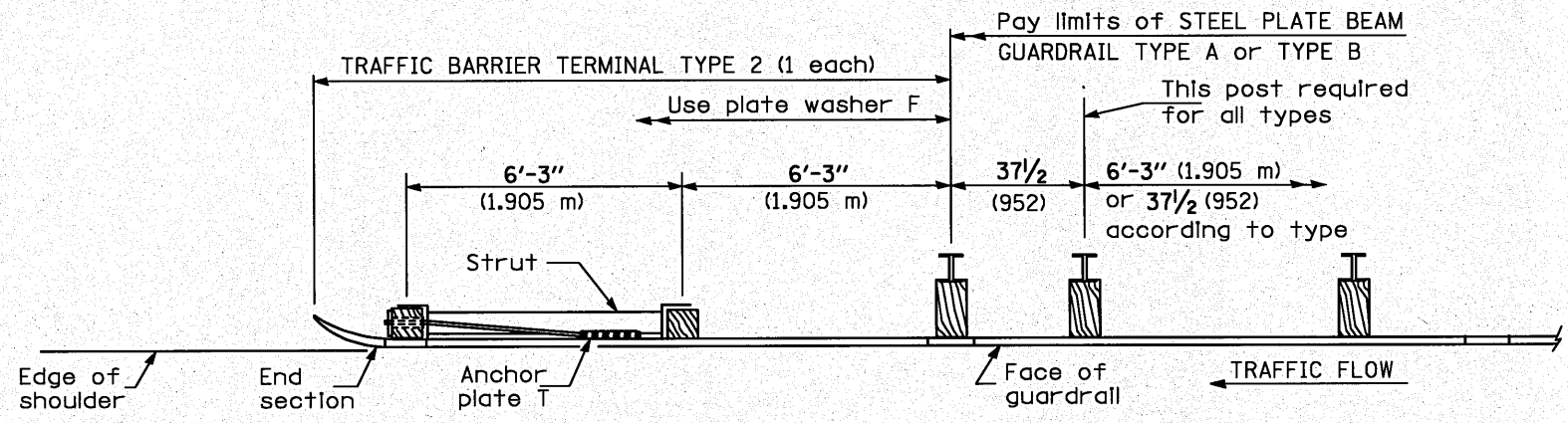
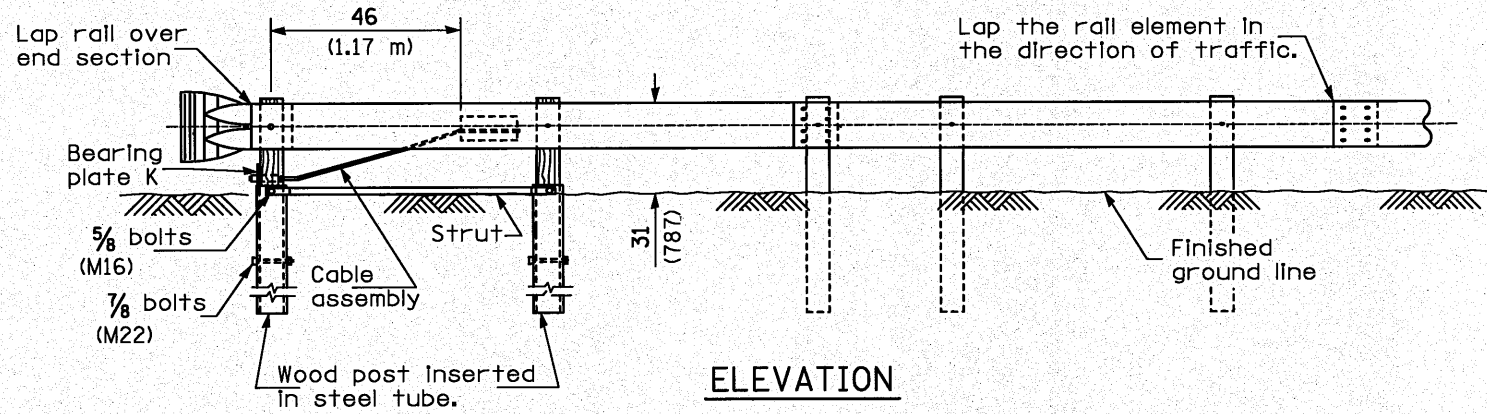


PLATE WASHER F



PLAN



ELEVATION

GENERAL NOTES

See Standard 630001 for details of guardrail not shown.
The bearing plate K shall be held in position by (2) two eight penny nails driven into the post and bent over the top of the plate.

TRAFFIC BARRIER TERMINAL, TYPE 2

All dimensions are in inches (millimeters) unless otherwise noted.

FILE NAME =	USER NAME = #USER#	DESIGNED ST	REVISED -	STATE OF ILLINOIS DEPARTMENT OF TRANSPORTATION	DISTRICT 4 STANDARDS US-24 OVER LAMARSH CREEK			F.A.P. RTE.	SECTION	COUNTY	TOTAL SHEETS	SHEET NO.	
#FILE#	DRAWN ST	CHECKED FML	REVISED -		SCALE: N.T.S.	SHEET NO. 11 OF 19 SHEETS	STA.	TO STA.	317	45BR-2	PEORIA	122	98
	PLOT SCALE = #SCALE#	DATE 10-15-2010	REVISED -						631011			CONTRACT NO. 68719	
	PLOT DATE = #DATE#		REVISED -						FED. ROAD DIST. NO.	ILLINOIS FED. AID PROJECT			