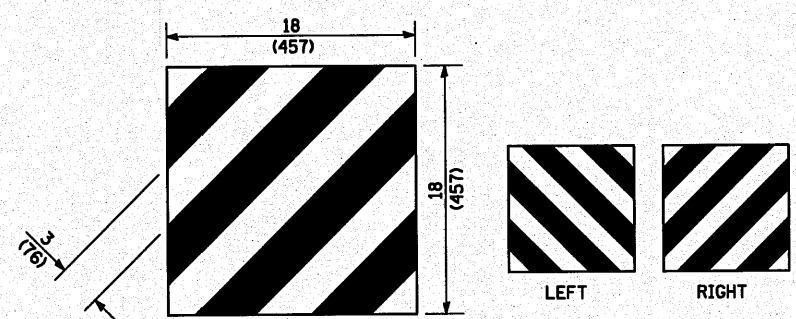
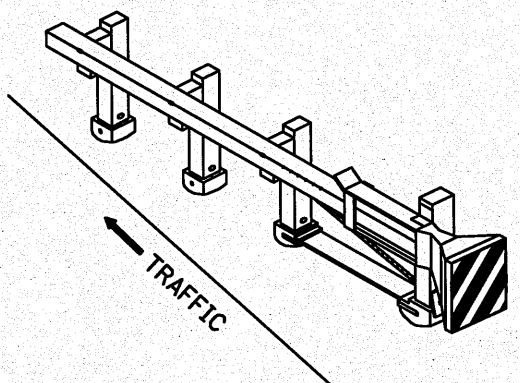


DATE	
BY	
DESIGNED	
CHECKED	
PLANNED	
ALIGNED	
INT. OF WAY CHECKED	
NO. ROAD FULL NAME	
PLAN	
NOTE BOOK	
NO.	

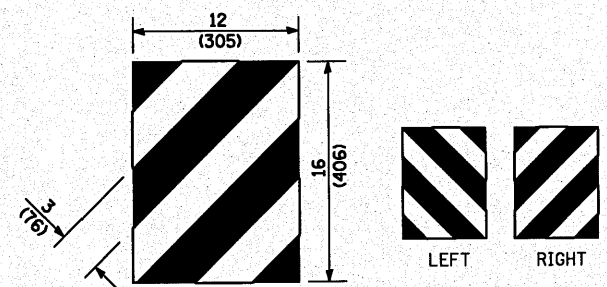
DATE	
BY	
DESIGNED	
CHECKED	
PLANNED	
ALIGNED	
INT. OF WAY CHECKED	
NO. ROAD FULL NAME	
PROFILE	
NOTE BOOK	
NO.	



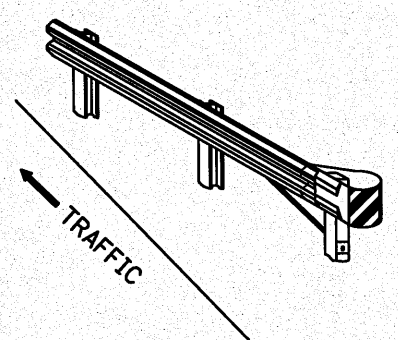
For Traffic Barrier Terminal Type 1 (Special)



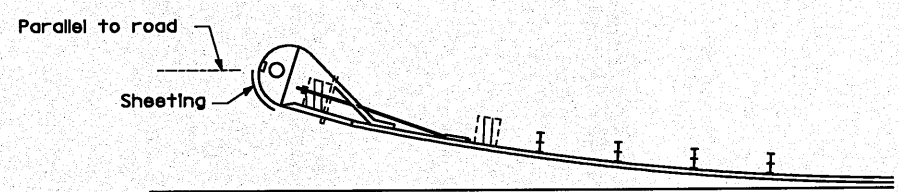
Standard Treatment - Direct Applied Sheeting
Traffic Barrier Terminal Type 1 (Special)



For Traffic Barrier Terminal Type (*)
and Post Mount
* See Plans for Type



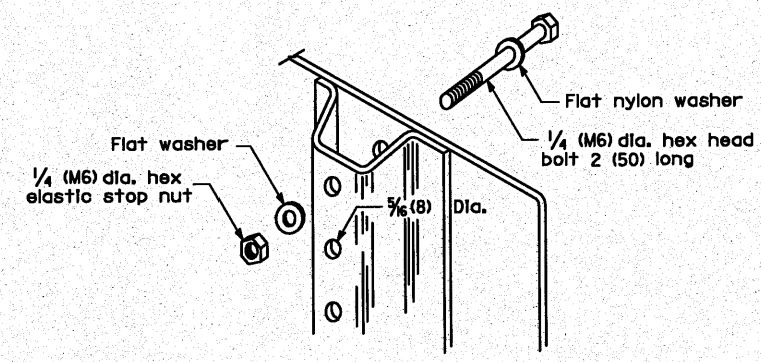
Standard Treatment - Direct Applied Sheeting
Traffic Barrier Terminal Type (*)
* See Plans for Type



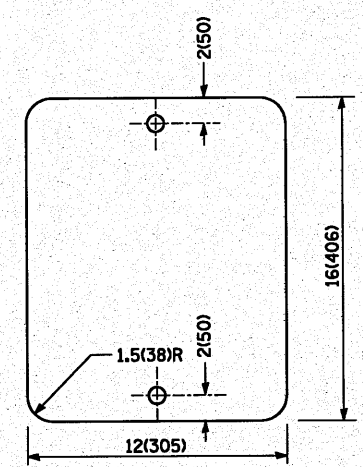
Sheeting Position for
Traffic Barrier Terminal Type (*)
* See Plans for Type

TERMINAL MARKER DETAILS

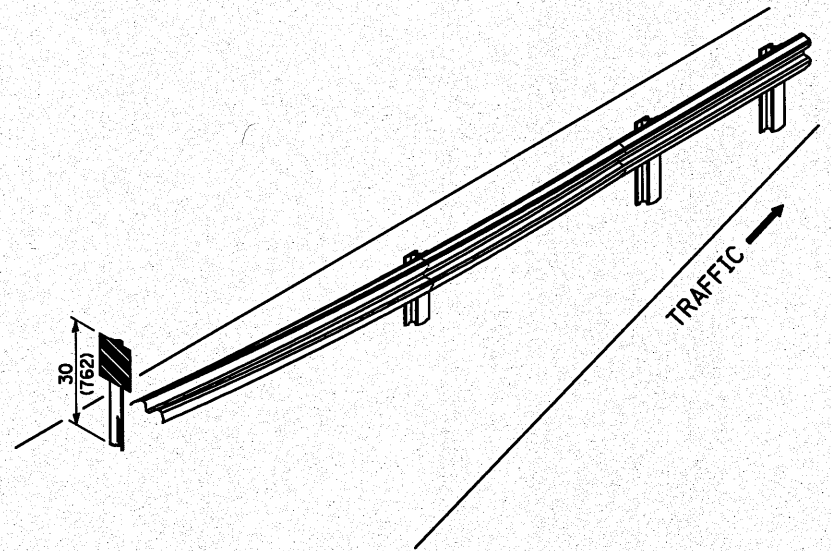
- Color: Black / Yellow reflectorized
- OM - I100 (L or R) Direct applied reflective sheeting
- OM - I200 (L or R) Post mounted



DETAIL OF MOUNTING TERMINAL MARKER TO POST



STANDARD TERMINAL MARKER



ALTERNATE TREATMENT - POST MOUNTED
(For turned-down terminal where sheeting cannot be direct applied)

TERMINAL MARKER TREATMENTS

GENERAL NOTES

All dimensions are in inches (millimeters) unless otherwise noted.

FILE NAME =	USER NAME = #USER#	DESIGNED ST	REVISED -	STATE OF ILLINOIS DEPARTMENT OF TRANSPORTATION	DISTRICT 4 STANDARDS US-24 OVER LAMARSH CREEK		F.A.P. RTE.	SECTION	COUNTY	TOTAL SHEETS	SHEET NO.
#FILE#		DRAWN ST	REVISED -				317	45BR-2	PEORIA	122	101
		CHECKED FML	REVISED -				635101 PAGE 2 OF 3		CONTRACT NO. 68719		
		DATE 10-15-2010	REVISED -				SCALE: N.T.S.	SHEET NO. 14 OF 19 SHEETS	STA.	TO STA.	FED. ROAD DIST. NO. [ILLINOIS] FED. AID PROJECT