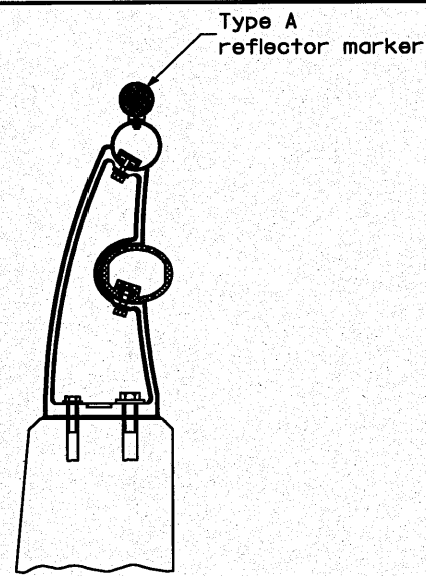
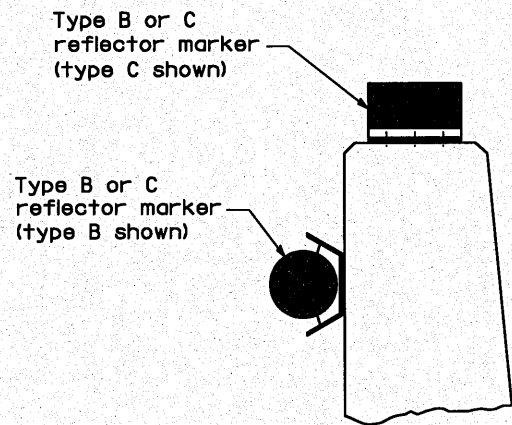


DATE	
BY	
DESIGNED	
PLOTTED	
CHECKED	
NOTE BOOK	
NO.	
FILE NAME	

DATE	
BY	
DESIGNED	
PLOTTED	
CHECKED	
NOTE BOOK	
NO.	
FILE NAME	

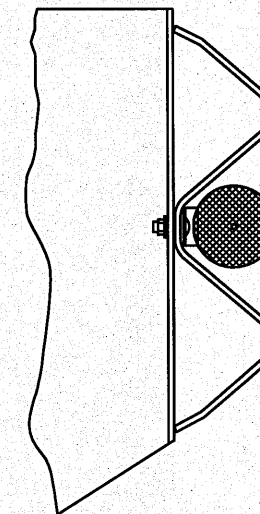
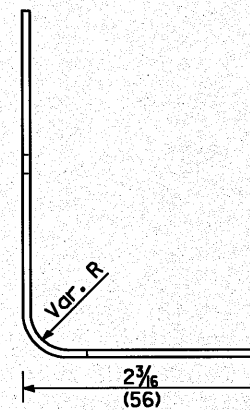
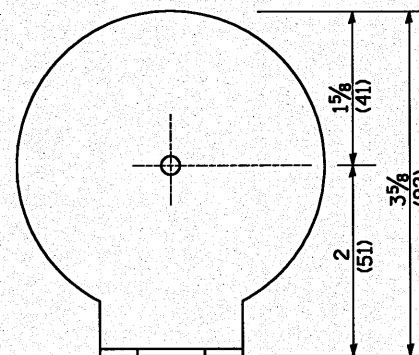
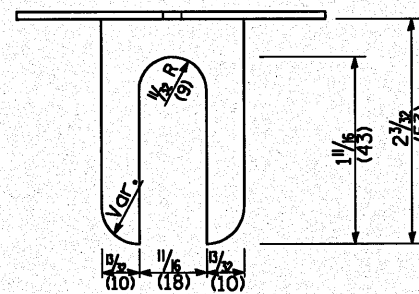


TYPICAL MOUNTING DETAIL FOR BRIDGE RAIL REFLECTOR



TYPICAL MOUNTING DETAIL FOR BARRIER WALL REFLECTOR

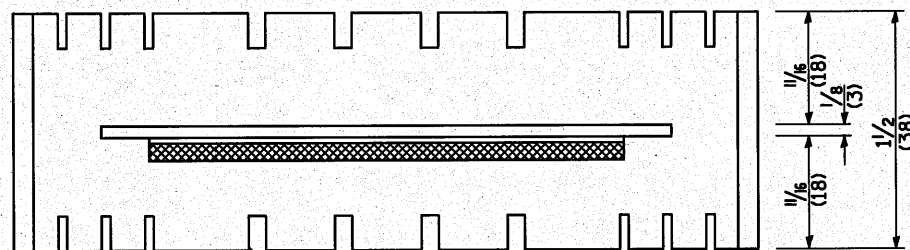
REFLECTOR MOUNTING



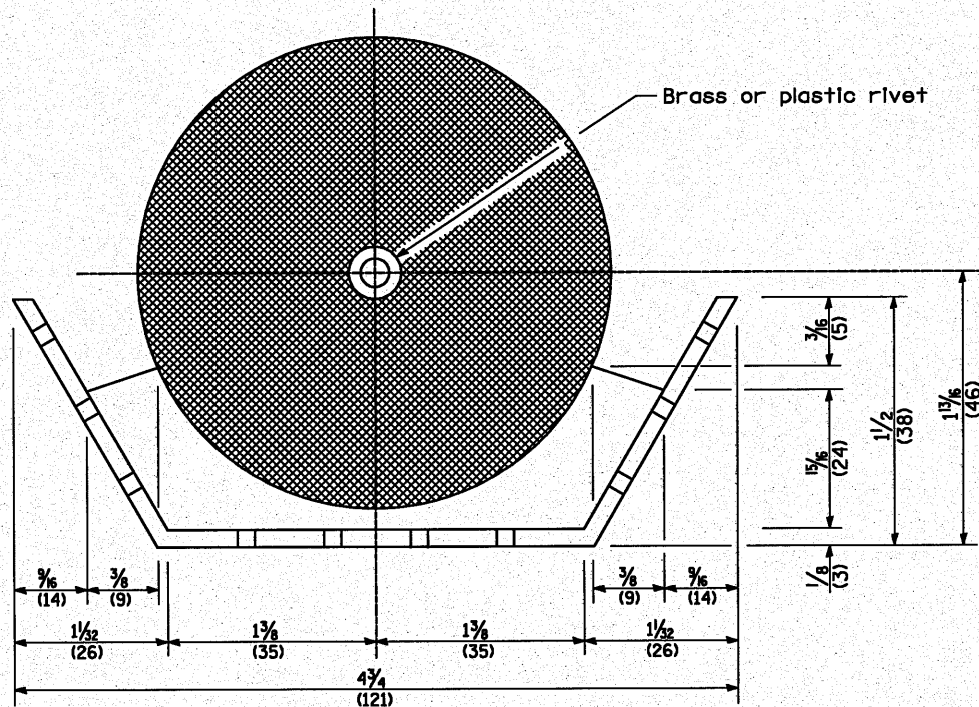
TYPICAL GUARDRAIL MOUNTING WITH REFLECTOR MARKER TYPE A

REFLECTOR MARKER TYPE A

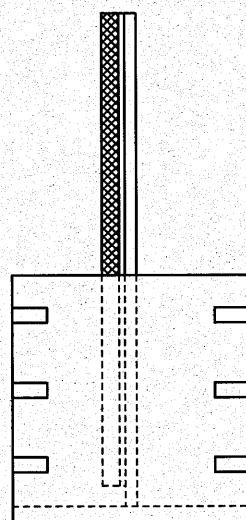
Min. reflective area 6 1/2 sq. in. (4,194 mm<sup>2</sup>) each side. May be rectangular or slight trapezoid.



Adhesive weep slots or holes equally spaced on both sides

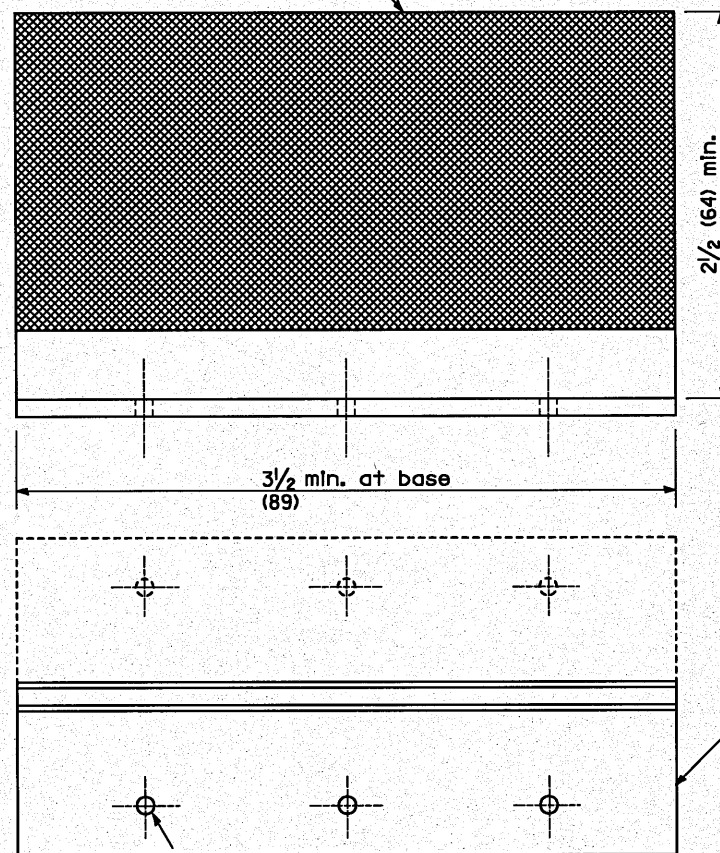


REFLECTOR MARKER TYPE B

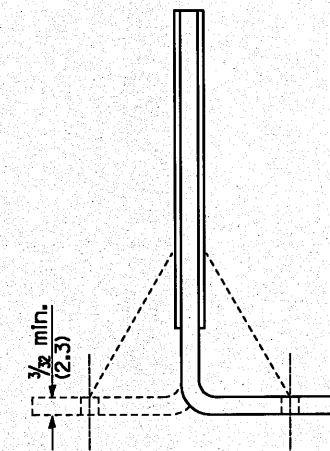


3 min. adhesive weep holes or slots each side, variable spacing.

REFLECTOR MARKER TYPE C



Minimum total area of base 7.0 Sq. In. (4,516 mm<sup>2</sup>)



Cross section may be "T" or "L" shaped and may have side supports at ends.

REFLECTORS

All dimensions are in inches (millimeters) unless otherwise noted.

FILE NAME =	USER NAME = #USER#	DESIGNED ST	REVISED -	STATE OF ILLINOIS DEPARTMENT OF TRANSPORTATION	DISTRICT 4 STANDARDS US-24 OVER LAMARSH CREEK			F.A.P. RTE. 317	SECTION 45BR-2	COUNTY PEORIA	TOTAL SHEETS 122	SHEET NO. 102
#FILEL#		DRAWN ST	REVISED -		SCALE: N.T.S.	SHEET NO. 15 OF 19 SHEETS	STA.	TO STA.	635101 PAGE 3 OF 3		CONTRACT NO. 68719	
		CHECKED FML	REVISED -		FED. ROAD DIST. NO. [ILLINOIS] FED. AID PROJECT							
		DATE 10-15-2010	REVISED -									