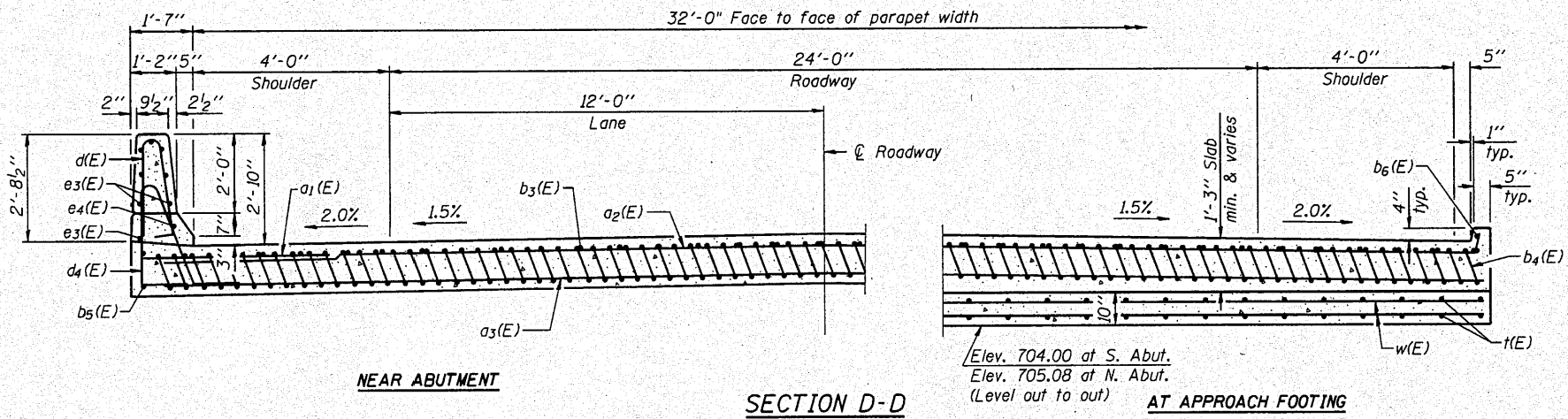


SECTION C-C

Notes:

See sheet 10 of 19 for Detail A and View B-B.
 Approach slab and parapet concrete shall be paid for as Concrete Superstructure.
 Approach footing concrete shall be paid for as Concrete Structures.
 Reinforcement shall be paid for as Reinforcement Bars, Epoxy Coated.
 For v(E) bar details, see sheet 8 of 19.
 The approach footing maximum applied service bearing pressure (Q_{max}) = 2.0 ksf.
 For bar splicer details, see sheet 16 of 19.
 Cost of excavation for approach footing included with Concrete Structures.
 For Porous Granular Embankment (Special) and drainage treatment details, see sheet 2 of 19.
 For additional parapet details, see sheet 8 of 19.



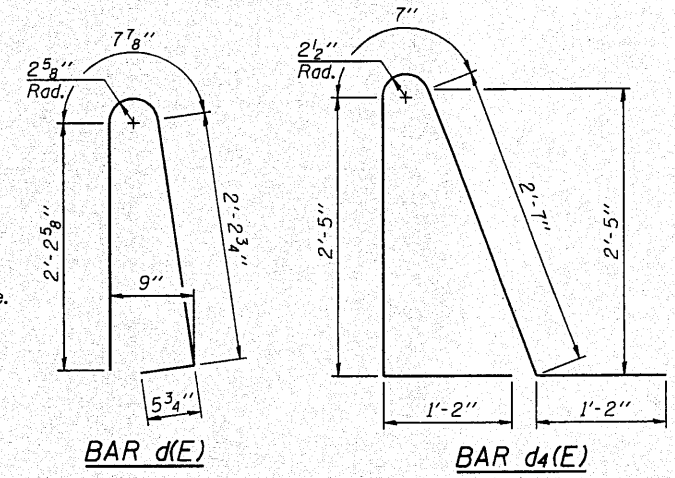
SECTION D-D

(See Plan for dimensions not shown)

AT APPROACH FOOTING

Elev. 704.00 at S. Abut.
 Elev. 705.08 at N. Abut.
 (Level out to out)

* Tilt #9 b4(E) bars as required to maintain clearance.
 *** Cost included with Concrete Superstructure.

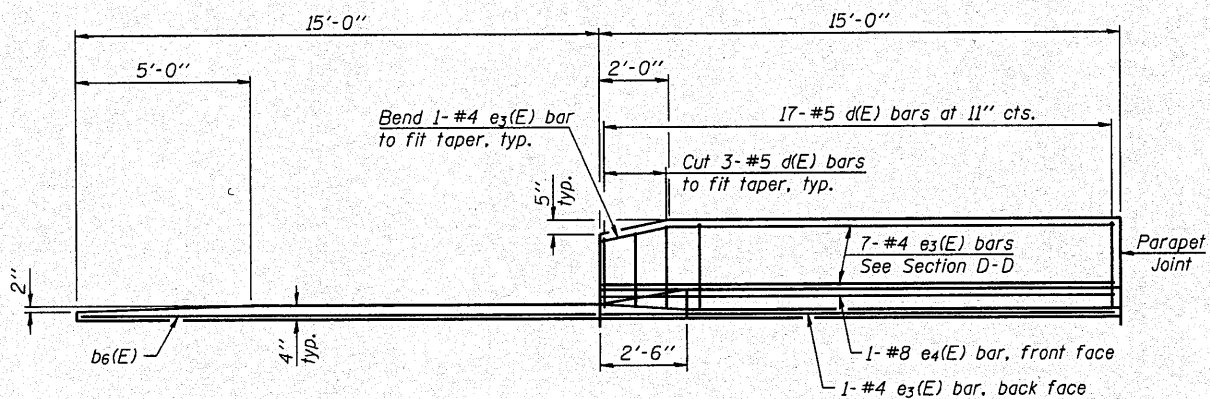


BAR d(E)

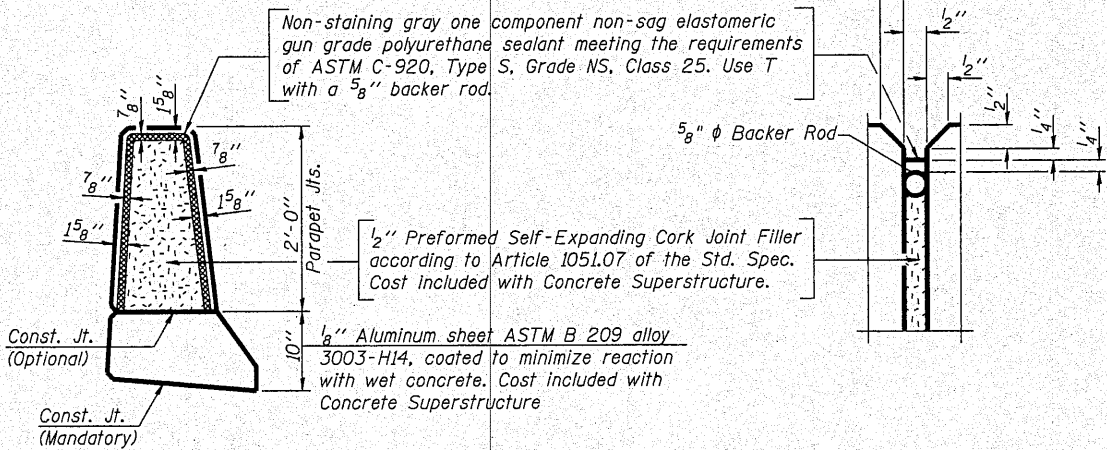
BAR d4(E)

TWO APPROACHES
 BILL OF MATERIAL

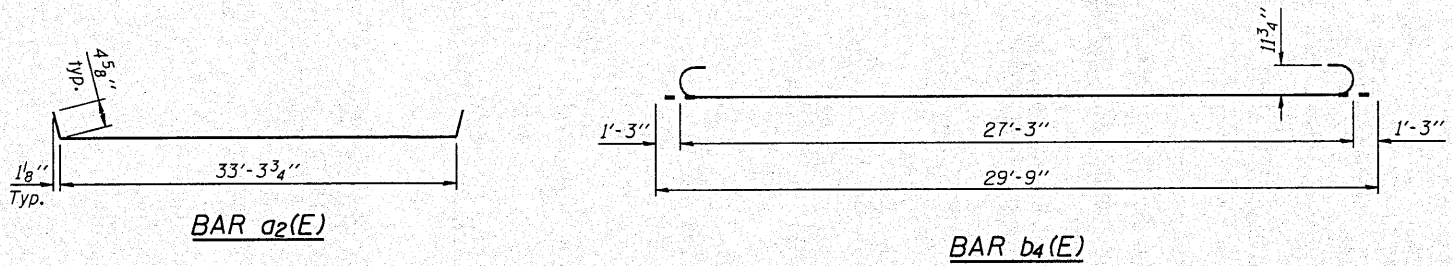
Bar	No.	Size	Length	Shape
a1(E)	48	#6	6'-6"	—
a2(E)	50	#4	34'-1"	—
a3(E)	92	#5	33'-6"	—
b3(E)	54	#4	29'-8"	—
b4(E)	160	#9	29'-9"	—
b5(E)	4	#4	14'-8"	—
b6(E)	4	#4	14'-6"	—
d(E)	68	#5	5'-7"	⌒
d4(E)	68	#5	7'-11"	⌒
e3(E)	32	#4	14'-8"	—
e4(E)	4	#8	14'-8"	—
k(E)	136	#4	9'-8"	—
w(E)	80	#5	33'-6"	—
Concrete Superstructure		Cu. Yd.	106.3	
Concrete Structures		Cu. Yd.	20.8	
Reinforcement Bars, Epoxy Coated		Pound	27260	



VIEW E-E



PARAPET JOINT DETAILS



BAR a2(E)

BAR b4(E)

(Sheet 2 of 2)
 BRIDGE APPROACH SLAB DETAILS
 STRUCTURE NO. 102-0069

<p>Allen Henderson & Associates, Inc. Civil and Structural Engineers Springfield, IL 62703 Phone: (217)544-8033 IL Design Firm No. 184-001907</p>	SHEET NO. 11	F.A.S. RTE.	SECTION	COUNTY	TOTAL SHEETS	SHEET NO.	
	19 SHEETS	1360	(64-B-1)BR	WOODFORD	45	26	
					CONTRACT NO. 68785		
		FED. ROAD DIST. NO. ILLINOIS FED. AID PROJECT					