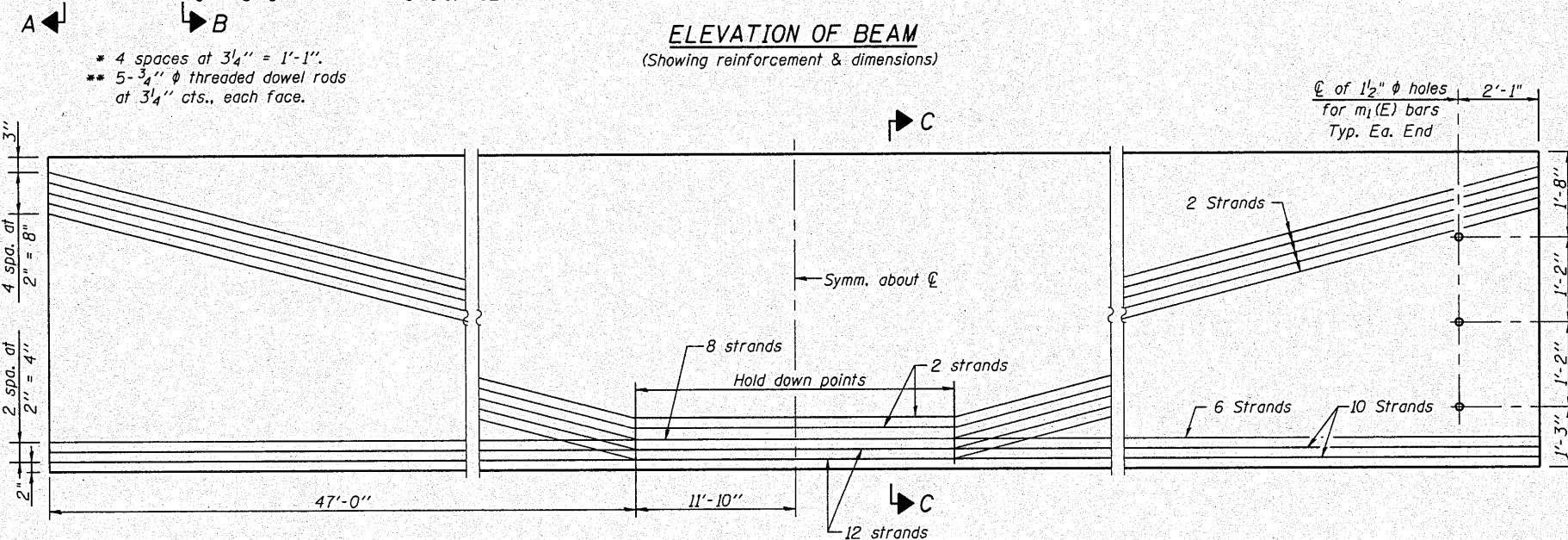
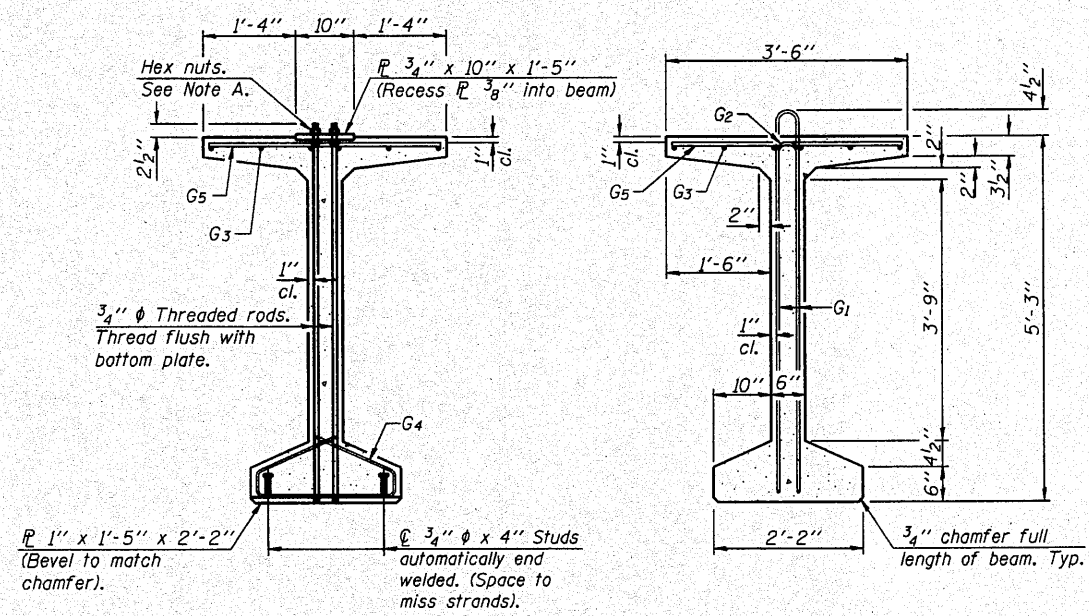
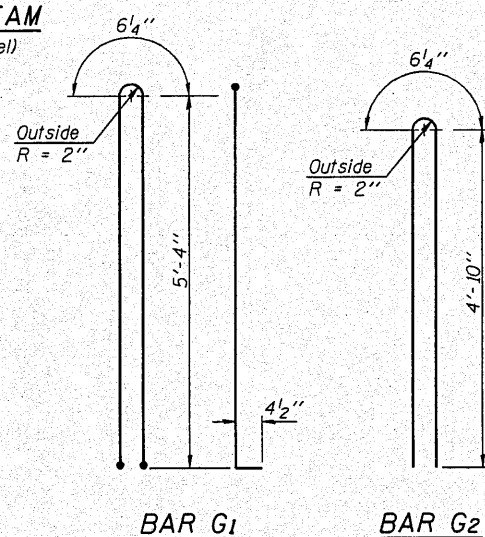


ELEVATION OF BEAM
(Showing reinforcement & dimensions)

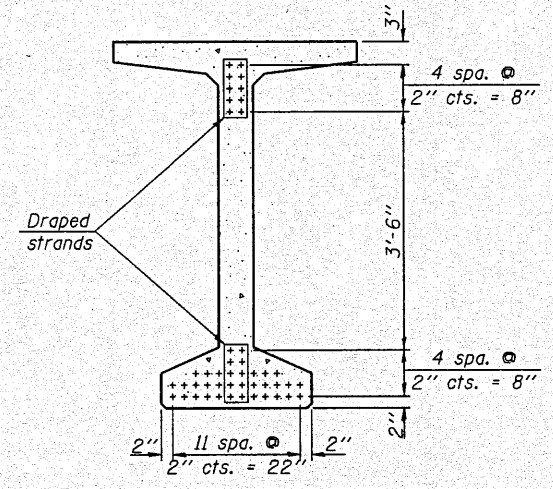


ELEVATION OF BEAM
(Showing prestressing steel)



SECTION A-A

SECTION B-B



SECTION C-C

*****BAR LIST ONE BEAM ONLY**

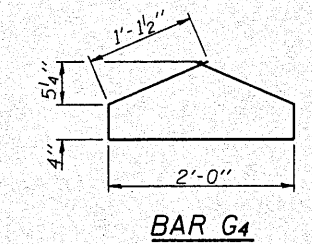
Bar	No.	Size	Length	Shape
G ₁	201	#4	11'-11"	∩L
G ₂	16	#4	10'-2"	∩
G ₃	24	#6	31'-11"	—
G ₄	56	#3	4'-11"	∩
G ₅	157	#5	3'-4"	—

***For information only

Notes:
See sheet 12 of 19 for additional details.
Required release strength, f'_{cl}, shall be 6000 psi.

BILL OF MATERIAL

Item	Unit	Total
Furnishing and Erecting Precast Prestressed Concrete Bulb T-Beams, 63"	Ft.	824



63" PPC BULB T-BEAM STRUCTURE NO. 102-0069

<p>Allen Henderson & Associates, Inc. Civil and Structural Engineers Springfield, IL 62703 Phone: (217)544-8033 IL Design Firm No. 184-001907</p>	<p>SHEET NO. 13</p> <p>19 SHEETS</p>	F.A.S. RTE.	SECTION	COUNTY	TOTAL SHEETS	SHEET NO.
		1360	(64-B-1)BR	WOODFORD	45	28
<p>FED. ROAD DIST. NO. ILLINOIS FED. AID PROJECT</p>						<p>CONTRACT NO. 68785</p>