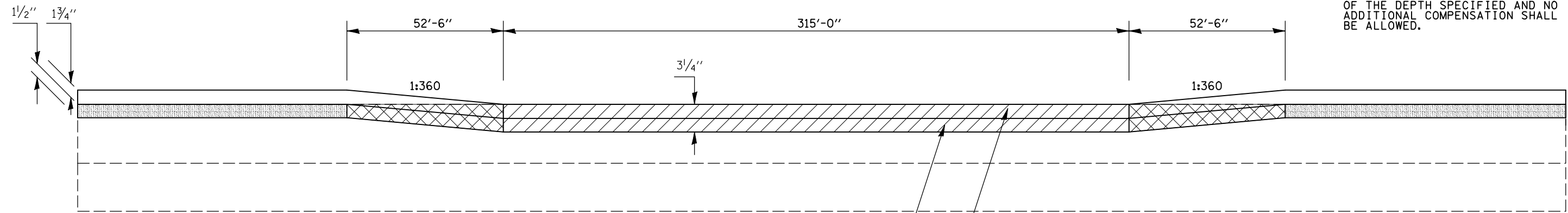


DETAIL FOR I-74 MILLING AND PAVING TRANSITIONS UNDER S.N. 057-0127

I-74 EBPL STATION TO STATION UNDER S.N. 057-0127
 1088+37.50 1092+57.50

NOTE: AREA OF MILLING TRANSITION SHALL BE INCLUDED IN THE CONTRACT UNIT PRICE FOR THE VARIOUS PAY ITEMS FOR HOT-MIX ASPHALT SURFACE REMOVAL OF THE DEPTH SPECIFIED AND NO ADDITIONAL COMPENSATION SHALL BE ALLOWED.



POLYMERIZED HOT-MIX ASPHALT SURFACE COURSE, MIX "C", N105 (168 LBS/SQ YD)

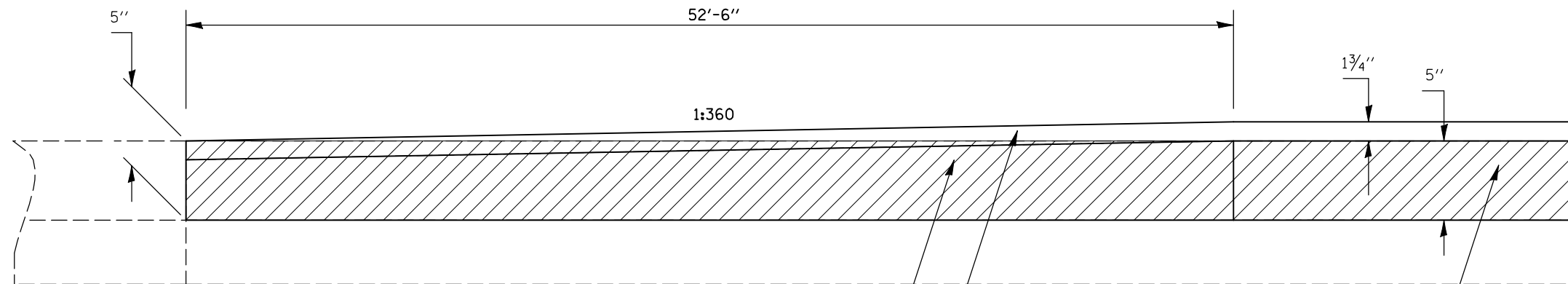
POLYMERIZED HOT-MIX ASPHALT SURFACE COURSE, MIX "D", N105, (196 LBS/SQ YD)

- HOT-MIX ASPHALT SURFACE REMOVAL, 1/2"
- AREA OF MILLING TRANSITION 1/2" - 3/4"
- HOT-MIX ASPHALT SURFACE REMOVAL, 3/4"

DETAIL FOR DOWNS INTERCHANGE MILLING AND PAVING TRANSITIONS AT 5" MILLING LOCATIONS

RAMP CB (I-74 EB OFF RAMP) STATION TO STATION END OF RAMP AT C.H. 36
 28+11.48 28+63.98

RAMP DA (I-74 WB OFF RAMP) 27+07.99 27+60.49 END OF RAMP AT C.H. 36



POLYMERIZED HOT-MIX ASPHALT BINDER COURSE, IL-19.0, FG, N105, (TRANS. FROM 364 LBS/SQ YD TO 560 LBS/SQ YD)

POLYMERIZED HOT-MIX ASPHALT BINDER COURSE, IL-19.0, FG, N105, (560 LBS/SQ YD)

POLYMERIZED HOT-MIX ASPHALT SURFACE COURSE, MIX "D", N105 (196 LBS/SQ YD)

HOT-MIX ASPHALT SURFACE REMOVAL, 5"

SHEET 9 OF 10

FILE NAME =	USER NAME = hoganbj	DESIGNED - BJH	REVISED -	STATE OF ILLINOIS DEPARTMENT OF TRANSPORTATION	MILLING AND PAVING TRANSITION DETAILS	F.A.I. RTE.:	SECTION	COUNTY	TOTAL SHEETS	SHEET NO.	
ct:\pw\work\p\dot\hoganbj\d0158340\0570550-sht-details.dgn	DRAWN - BJH 8/31/2010	REVISED -	REVISED -			74	(57-20(1),21,22)RS-3	McLean	150	84	
PLOT SCALE = 40.0000' / IN.	CHECKED -	REVISED -	REVISED -			SCALE: SHEET NO. 9 OF 10 SHEETS STA. TO STA.		CONTRACT NO. 70550			
PLOT DATE = 10/21/2010	DATE -	REVISED -	REVISED -			ILLINOIS FED. AID PROJECT					