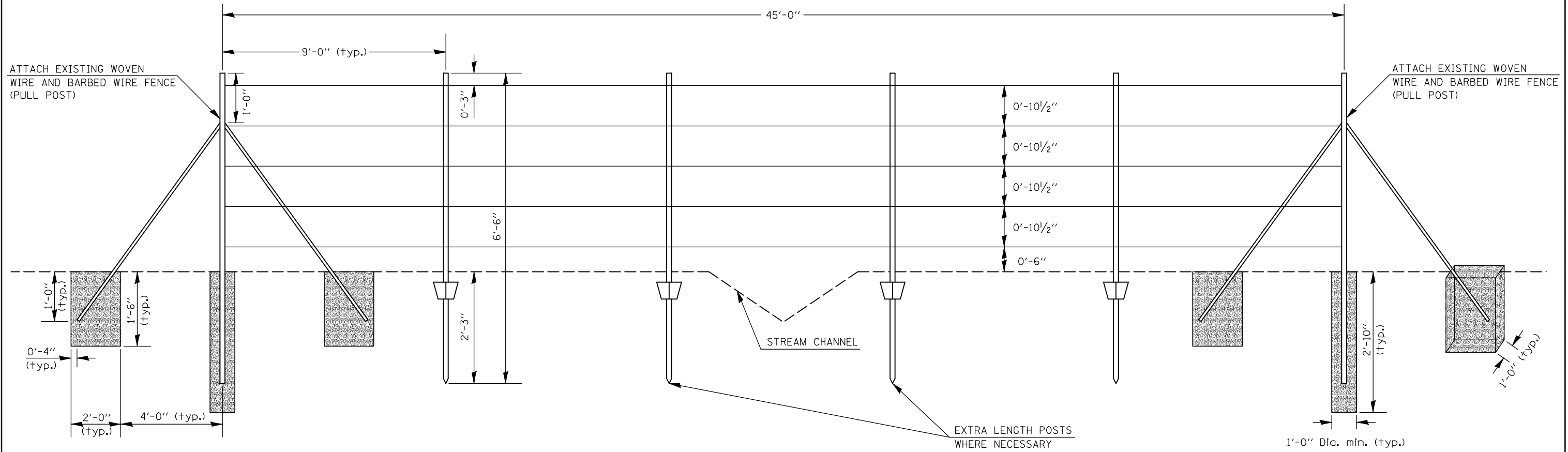


BARBED WIRE FENCE, 5 STRAND DETAIL



 PORTLAND CEMENT CONCRETE

NOTES: BARBED WIRES SHALL BE TIED TO EACH POST. BARBED WIRES SHALL BE FASTENED TO THE PULL POSTS BY WRAPPING THE WIRES AROUND THE POST AND TYING BACK ON INSELF WITH NOT LESS THAN 3 TWISTS TIGHTLY WRAPPED.

SEE STANDARD 665001 FOR LIST OF MATERIALS AND ARTICLE 1006.27 AND 1006.28 OF THE STANDARD SPECIFICATIONS FOR MATERIALS REQUIREMENTS.

FILE NAME =	USER NAME = hoganbj	DESIGNED -	REVISED -	STATE OF ILLINOIS DEPARTMENT OF TRANSPORTATION	BARBED WIRE FENCE, 5 STRAND DETAIL	F.A.I. RTE. =	SECTION	COUNTY	TOTAL SHEETS	SHEET NO.
ct:\pw\work\pwwdot\hoganbj\d0158340\0570650-sht-details.dgn		DRAWN -	REVISED -			74	(57-20(1),21,22)RS-3	McLean	150	86
PLOT SCALE = 40.0000' / IN.		CHECKED -	REVISED -							
PLOT DATE = 10/21/2010		DATE -	REVISED -							
						SCALE:	SHEET NO.	OF SHEETS	STA.	TO STA.
						ILLINOIS FED. AID PROJECT				